

Technical Information

Proline t-mass I 300

Thermal mass flowmeter



Insertion flowmeter with long-term stability and a compact, easily accessible transmitter

Application

- Measuring principle is characterized by a high operable flow range and direct mass flow measurement
- Measurement of utility and process gases as well as gas mixtures in circular piping or rectangular ducts

Device properties

- Insertion version for DN 80 to 1500 (3 to 60")
- Bidirectional measurement; high measuring performance
- Patented drift-free sensor with SIL 2
- Compact dual-compartment housing with up to 3 I/Os
- Backlit display with touch control and WLAN access
- Remote display available

Your benefits

- Flexible, convenient programming based on 21 standard gases or freely definable gas mixtures thereof
- High level of process control – premium measurement accuracy and repeatability
- Reliable monitoring – detection of process disturbances and reverse flow
- Flexible installation – suitable for large dimensional range and circular pipes or rectangular ducts
- Full access to process and diagnostic information – numerous, freely combinable I/Os and fieldbuses
- Reduced complexity and variety – freely configurable I/O functionality
- Integrated verification – Heartbeat Technology

Table of contents




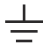

About this document	4	Inlet and outlet runs	38
Symbols	4		
Function and system design	6	Environment	43
Measuring principle	6	Ambient temperature range	43
Measuring system	7	Storage temperature	43
Equipment architecture	8	Atmosphere	43
Reliability	8	Degree of protection	43
		Vibration- and shock-resistance	43
		Interior cleaning	43
		Electromagnetic compatibility (EMC)	44
Input	11	Process	45
Measured variable	11	Medium temperature range	45
Measuring range	11	Medium pressure range	45
Operable flow range	13	Pressure/temperature ratings	45
Input signal	13	Flow limit	45
		Pressure loss	46
		Thermal insulation	46
		Heating	46
		Hot tap, process pressure	47
		Cold tap, ambient pressure	47
		Mounting boss	47
Output	15	Mechanical construction	48
Output and input variants	15	Dimensions in SI units	48
Output signal	17	Dimensions in US units	56
Signal on alarm	21	Materials	62
Load	22	Weight	64
Ex connection data	22	Process connections	64
Low flow cut off	23		
Galvanic isolation	23	Display and user interface	65
Protocol-specific data	24	Operation concept	65
		Languages	65
		Local operation	65
		Remote operation	66
		Service interface	68
		Supported operating tools	69
		HistoROM data management	70
Power supply	25	Certificates and approvals	72
Terminal assignment	25	CE mark	72
Available device plugs	25	UKCA marking	72
Supply voltage	25	RCM marking	72
Power consumption	25	Ex approval	72
Current consumption	25	Functional safety	73
Power supply failure	25	HART certification	73
Overcurrent protection element	26	Radio approval	73
Electrical connection	26	Additional certification	73
Potential equalization	31	External standards and guidelines	73
Terminals	31	Classification of process sealing between electrical systems and (flammable or combustible) process fluids in accordance with ANSI/ISA 12.27.01	74
Cable entries	31		
Pin assignment, device plug	31	Ordering information	75
Cable specification	31		
Overvoltage protection	33	Application packages	76
		Diagnostic functionality	76
Performance characteristics	34		
Reference operating conditions	34		
Maximum measured error	34		
Repeatability	35		
Response time	35		
Influence of ambient temperature	35		
Influence of medium temperature	35		
Influence of medium pressure	35		
Mounting	36		
Orientation	36		
Installation instructions	36		
Pipes	36		
Insertion depth	36		
Installation conditions for nipples	38		
Aligning to the flow direction	38		

Heartbeat Technology	76
Second gas group	76
Accessories	77
Device-specific accessories	77
Communication-specific accessories	78
Service-specific accessories	79
System components	80
Documentation	81
Standard documentation	81
Supplementary device-dependent documentation	81
Registered trademarks	82





About this document

Symbols









Electrical symbols

Symbol	Meaning
	Direct current
	Alternating current
	Direct current and alternating current
	Ground connection A grounded terminal which, as far as the operator is concerned, is grounded via a grounding system.
	Potential equalization connection (PE: protective earth) Ground terminals that must be connected to ground prior to establishing any other connections. The ground terminals are located on the interior and exterior of the device: <ul style="list-style-type: none"> ▪ Interior ground terminal: potential equalization is connected to the supply network. ▪ Exterior ground terminal: device is connected to the plant grounding system.

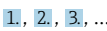



Communication-specific symbols

Symbol	Meaning
	Wireless Local Area Network (WLAN) Communication via a wireless, local network.
	LED Light emitting diode is off.
	LED Light emitting diode is on.
	LED Light emitting diode is flashing.

Symbols for certain types of information

Symbol	Meaning
	Permitted Procedures, processes or actions that are permitted.
	Preferred Procedures, processes or actions that are preferred.
	Forbidden Procedures, processes or actions that are forbidden.
	Tip Indicates additional information.
	Reference to documentation
	Reference to page
	Reference to graphic
	Visual inspection

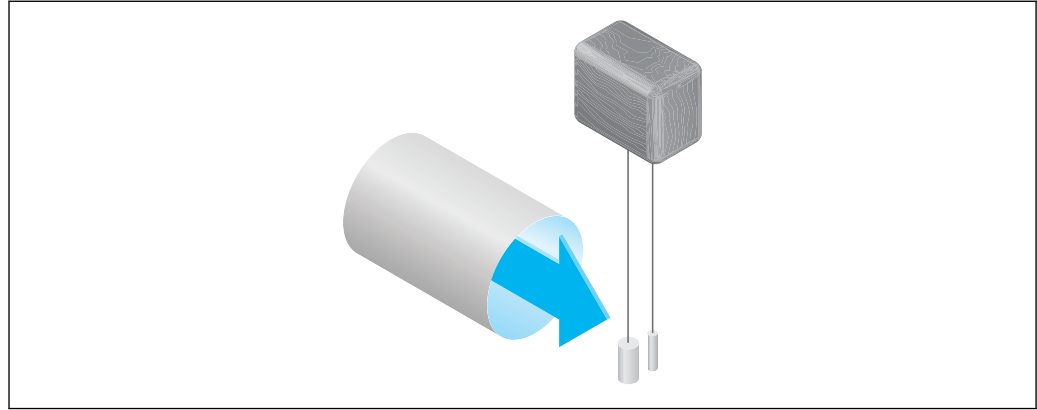
Symbols in graphics

Symbol	Meaning
1, 2, 3, ...	Item numbers
	Series of steps
A, B, C, ...	Views
A-A, B-B, C-C, ...	Sections
	Hazardous area
	Safe area (non-hazardous area)
	Flow direction

Function and system design

Measuring principle

The thermal measuring principle is based on the cooling of a heated resistance thermometer (PT100) from which heat is extracted by the passing medium.



A0016823

The medium passes two PT100 resistance thermometers in the measurement section. One of these is used in the conventional way as a temperature sensor, while the other serves as a heating element. The temperature sensor monitors and records the effective process temperature while the heated resistance thermometer is kept at a constant differential temperature (compared to the measured process temperature) by controlling the electrical current used by the heating element. The greater the mass flow passing over the heated resistance thermometer, the greater the extent to which cooling takes place and therefore the stronger the current required to maintain a constant differential temperature. This means that the heat current measured is an indicator of the mass flow rate of the medium.

Gas Engine

The integrated Gas Engine functionality ensures maximum measuring performance for flow measurement. The Gas Engine developed by Endress+Hauser is a software-based database of typical standard gases and their specific properties. The Gas Engine calculates the properties of gas mixtures based on the percentage shares of up to 8 gas components.

The Gas Engine functionality enables:

- Calibration with air; no need for expensive and complex calibration with real gas
- Precise conversion of air to other gases; no recalibration required
- Exact measurement of single gases and also of gas mixtures
- Dynamic correction of pressure and temperature changes

The device can be configured for 21 freely selectable gases and water vapor.

Gases available for selection:

- | | | |
|---------------------|-------------------|-----------------------|
| ▪ Ammonia | ▪ Helium | ▪ Ozone ¹⁾ |
| ▪ Argon | ▪ Carbon dioxide | ▪ Propane |
| ▪ Butane | ▪ Carbon monoxide | ▪ Oxygen |
| ▪ Chlorine | ▪ Krypton | ▪ Hydrogen sulfide |
| ▪ Hydrogen chloride | ▪ Air | ▪ Nitrogen |
| ▪ Ethane | ▪ Methane | ▪ Hydrogen |
| ▪ Ethylene | ▪ Neon | ▪ Xenon |

1) Can only be selected as an individual gas or as a gas mixture with oxygen.

Mixtures of these gases, e.g. natural gas, can be programmed easily and quickly on the basis of the percentage shares.



For other gases, contact the Endress+Hauser sales organization responsible for your area.

Bidirectional measurement and reverse flow detection

Conventional thermal mass flowmeters cannot distinguish between forward and reverse flows. They always record flow in both directions with the same algebraic sign. Endress+Hauser's thermal flowmeter is available in this conventional unidirectional design, or as a bidirectional flowmeter. Both versions feature sensors that are protected in stainless steel. The bidirectional version can distinguish between the two flow directions and measure and totalize the flow in both directions with the same degree of accuracy.

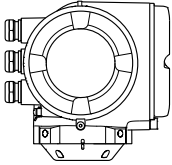
The version to detect reverse flow only measures flow in the positive direction. The reverse flow is detected by the device but is not totalized.

Measuring system


The device consists of a transmitter and a sensor.

The device is available as a compact version:
The transmitter and sensor form a mechanical unit.

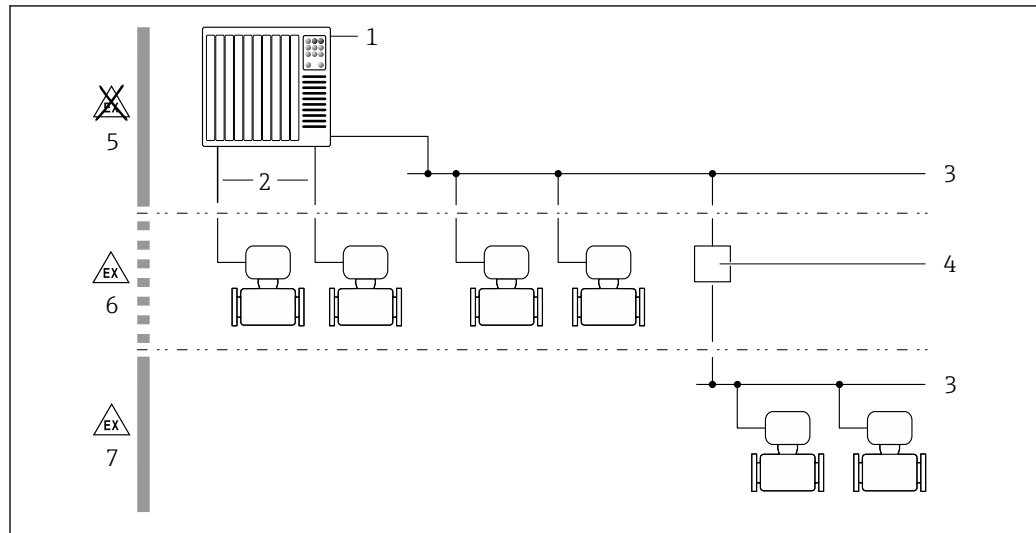
Transmitter

<p>Proline 300</p> 	<p>Device versions and materials:</p> <ul style="list-style-type: none"> ▪ Transmitter housing Aluminum, coated: aluminum, AlSi10Mg, coated ▪ Material of window in transmitter housing: Aluminum, coated: glass <p>Configuration:</p> <ul style="list-style-type: none"> ▪ External operation via 4-line, illuminated graphic local display (LCD) with touch control and guided menus ("Make-it-run" wizards) for application-specific commissioning. ▪ Via service interface or WLAN interface: <ul style="list-style-type: none"> ▪ Operating tools (e.g. FieldCare, DeviceCare) ▪ Web server (access via Web browser, e.g. Microsoft Internet Explorer, Microsoft Edge)
---	--

Sensor

<p>t-mass I</p> 	<p>Insertion version:</p> <ul style="list-style-type: none"> ▪ Sensor lengths: 235 mm (9")/335 mm (13")/435 mm (17")/608 mm (24") for DN 80 to 1500 (3 to 60") ▪ Materials (in contact with medium): <ul style="list-style-type: none"> ▪ Insertion tube: stainless steel 1.4404 (316/316L) ▪ Sensing element: Stainless steel 1.4404 (316/316L) Alloy C22, 2.4602 as version for corrosive gases ▪ Exception: connecting part to transmitter (not in contact with medium): 1.4301 (304)
--	--

Equipment architecture



A0027512

1 Possibilities for integrating measuring devices into a system

- 1 Control system (e.g. PLC)
- 2 Connecting cable (0/4 to 20 mA HART etc.)
- 3 Fieldbus
- 4 Coupler
- 5 Non-hazardous area
- 6 Hazardous area: Zone 2; Class I, Division 2
- 7 Hazardous area: Zone 1; Class I, Division 1

Reliability

IT security

Our warranty is valid only if the product is installed and used as described in the Operating Instructions. The product is equipped with security mechanisms to protect it against any inadvertent changes to the settings.

IT security measures, which provide additional protection for the product and associated data transfer, must be implemented by the operators themselves in line with their security standards.

Device-specific IT security

The device offers a range of specific functions to support protective measures on the operator's side. These functions can be configured by the user and guarantee greater in-operation safety if used correctly. The following list provides an overview of the most important functions:

Function/interface	Factory setting	Recommendation
Write protection via hardware write protection switch → 9	Not enabled	On an individual basis following risk assessment
Access code (also applies to web server login or FieldCare connection) → 9	Not enabled (0000)	Assign a customized access code during commissioning
WLAN (order option in display module)	Enabled	On an individual basis following risk assessment
WLAN security mode	Enabled (WPA2-PSK)	Do not change
WLAN passphrase (Password) → 9	Serial number	Assign an individual WLAN passphrase during commissioning
WLAN mode	Access point	On an individual basis following risk assessment
Web server → 9	Enabled	On an individual basis following risk assessment
CDI-RJ45 service interface → 9	–	On an individual basis following risk assessment

Protecting access via hardware write protection

Write access to the parameters of the device via the local display, web browser or operating tool (e.g. FieldCare, DeviceCare) can be disabled via a write protection switch (DIP switch on the main electronics module). When hardware write protection is enabled, only read access to the parameters is possible.

Hardware write protection is disabled when the device is delivered.

Protecting access via a password

Different passwords are available to protect write access to the device parameters or access to the device via the WLAN interface.

- **User-specific access code**
Protect write access to the device parameters via the local display, web browser or operating tool (e.g. FieldCare, DeviceCare). Access authorization is clearly regulated through the use of a user-specific access code.
- **WLAN passphrase**
The network key protects a connection between an operating unit (e.g. notebook or tablet) and the device via the WLAN interface which can be ordered as an option.
- **Infrastructure mode**
When the device is operated in infrastructure mode, the WLAN passphrase corresponds to the WLAN passphrase configured on the operator side.

User-specific access code

Write access to the device parameters via the local display, web browser or operating tool (e.g. FieldCare, DeviceCare) can be protected by the modifiable, user-specific access code.

WLAN passphrase: Operation as WLAN access point

A connection between an operating unit (e.g. notebook or tablet) and the device via the WLAN interface, which can be ordered as an optional extra, is protected by the network key. The WLAN authentication of the network key complies with the IEEE 802.11 standard.

When the device is delivered, the network key is pre-defined depending on the device. It can be changed via the **WLAN settings** submenu in the **WLAN passphrase** parameter.

Infrastructure mode

A connection between the device and WLAN access point is protected by means of an SSID and passphrase on the system side. Please contact the relevant system administrator for access.

General notes on the use of passwords

- The access code and network key supplied with the device should be changed during commissioning for safety reasons.
- Follow the general rules for generating a secure password when defining and managing the access code and network key.
- The user is responsible for the management and careful handling of the access code and network key.

Access via web server

The device can be operated and configured via a web browser using the integrated web server. The connection is established via the service interface (CDI-RJ45) or the WLAN interface.

The web server is enabled when the device is delivered. The web server can be disabled via the **Web server functionality** parameter if necessary (e.g. after commissioning).

The device and status information can be hidden on the login page. This prevents unauthorized access to the information.



For detailed information on device parameters, see: "Description of Device Parameters" document .

Access via service interface (CDI-RJ45)

The device can be connected to a network via the service interface (CDI-RJ45). Device-specific functions guarantee the secure operation of the device in a network.

The use of relevant industrial standards and guidelines that have been defined by national and international safety committees, such as IEC/ISA62443 or the IEEE, is recommended. This includes organizational security measures such as the assignment of access authorization as well as technical measures such as network segmentation.



Transmitters with an Ex de approval may not be connected via the service interface (CDI-RJ45)!
Order code for "Approval", options (Ex de): BB, C2, GB, MB, NB

Input

Measured variable

Measured process variables

- Mass flow
- Temperature

Calculated process variables

- Corrected volume flow
- Volume flow
- FAD volume flow
- Flow velocity
- Calorific value
- 2nd temperature heat difference
- Heat flow
- Energy flow
- Density

Process variables available for order


Order code for "Sensor version":

- Option SB "Bidirectional" measures the flow in both directions (»positive« and »negative« flow) and totalizes the flow in both directions. The device is calibrated in both directions.
- Option SC "Reverse flow detection" only measures the flow in the positive direction. The reverse flow is detected by the device but is not totalized. The device is only calibrated in the positive forward flow direction.

Order code for "Application package":

Option EV "Second gas group" enables the configuration of two different standard gases/gas mixtures in the device and allows the user to switch from one gas group to another using the status input or (if available) via bus communication.

Measuring range

The available measuring range depends on the choice of gas and size of the pipe. Each measuring device is calibrated individually with air under reference operating conditions. No recalibration is required in the case of customer-specific gases, as the device's Gas Engine →  6 functionality converts from air to these gases.

The measuring ranges calibrated for air are indicated in the following section. For information on other gases and process conditions, contact your sales organization or use the Applicator selection software.

SI units

- Order code for "Sensor version; sensor; insertion tube", option SA "Unidirectional; stainless steel; stainless steel"
- Order code for "Sensor version; sensor; insertion tube", option HA "Unidirectional; Alloy; stainless steel"

DN [mm]	Full scale value [kg/h] (Air, 20°C, 1.013 bar a)		Full scale value [Nm ³ /h] (Air, 0°C, 1.013 bar a)	
	Minimum	Maximum	Minimum	Maximum
80	21	2 086	16	1 613
100	33	3 260	25	2 521
150	73	7 335	57	5 672
200	130	13 040	101	10 084
250	204	20 375	158	15 757
300	293	29 340	227	22 689
400	522	52 160	403	40 337
500	815	81 500	630	63 026
600	1 174	117 360	908	90 758
700	1 597	159 740	1 235	123 531

DN [mm]	Full scale value [kg/h] (Air, 20°C, 1.013 bar a)		Full scale value [Nm ³ /h] (Air, 0°C, 1.013 bar a)	
	Minimum	Maximum	Minimum	Maximum
1 000	3 260	326 000	2 521	252 105
1 500	7 335	733 501	5 672	567 236

- Order code for "Sensor version; sensor; insertion tube:", option SB "Bidirectional; stainless steel; stainless steel"
- Order code for "Sensor version; sensor; insertion tube:", option SC "Reverse flow detection; stainless steel; stainless steel"

DN [mm]	Full scale value [kg/h] (Air, 20°C, 1.013 bar a)		Full scale value [Nm ³ /h] (Air, 0°C, 1.013 bar a)	
	Minimum	Maximum	Minimum	Maximum
80	13	1 310	10	1 012
100	23	2 310	17	1 786
150	47	4 750	36	3 673
200	84	8 475	65	6 553
250	132	13 250	102	10 246
300	190	19 000	146	14 692
400	337	33 750	260	26 099
500	530	53 000	409	40 986
600	762	76 250	589	58 966
700	1 038	103 820	802	80 286
1 000	2 119	211 900	1 638	163 868
1 500	4 767	476 750	3 686	368 683

US units

- Order code for "Sensor version; sensor; insertion tube", option SA "Unidirectional; stainless steel; stainless steel"
- Order code for "Sensor version; sensor; insertion tube", option HA "Unidirectional; Alloy; stainless steel"

DN [in]	Full scale value [lb/h] (Air, 68°F, 14.7 psi a)		Full scale value [SCFM] (Air, 59°F, 14.7 psi a)	
	Minimum	Maximum	Minimum	Maximum
3	42	4 173	9	909
4	74	7 419	16	1 616
6	167	16 693	36	3 636
8	297	29 677	65	6 464
10	464	46 371	101	10 100
12	668	66 774	145	14 544
16	1 187	118 709	259	25 856
20	1 855	185 482	404	40 400
24	2 671	267 094	582	58 176
28	3 635	363 545	792	79 184
40	7 419	741 929	1 616	161 600
60	16 693	1 669 340	3 636	363 600

- Order code for "Sensor version; sensor; insertion tube:", option SB "Bidirectional; stainless steel; stainless steel"
- Order code for "Sensor version; sensor; insertion tube:", option SC "Reverse flow detection; stainless steel; stainless steel"

DN [in]	Full scale value [lb/h] (Air, 68°F, 14.7 psi a)		Full scale value [SCFM] (Air, 59°F, 14.7 psi a)	
	Minimum	Maximum	Minimum	Maximum
3	29	2 981	6	648
4	52	5 257	11	1 144
6	108	10 810	23	2 354
8	192	19 287	42	4 200
10	301	30 155	65	6 567
12	432	43 241	94	9 417
16	768	76 810	167	16 729
20	1 206	120 620	262	26 272
24	1 735	173 533	377	37 797
28	2 362	236 279	514	51 463
40	4 822	482 253	1 050	105 039
60	10 850	1 085 012	2 363	236 326


The flow rates listed are only representative for the calibrated conditions and do not necessarily reflect the measuring capacity of the measuring device under operating conditions and the actual pipe internal diameters present on site. To make sure that the correct device version and sizing is selected to suit the application, contact the sales organization or use the Applicator selection software.

Special applications

High gas flow velocities (>70 m/s)

In the case of high gas flow velocities, it is advisable to read in the process pressure dynamically or to enter the pressure as accurately as possible, as a velocity-dependent correction is performed.


Light gases (hydrogen, helium)

- The reliable measurement of light gases can be difficult due to their very high thermal conductivity. Depending on the application, the flow rates of light gases are often particularly slow and the flow profiles are not sufficiently developed. The flows are frequently in the laminar flow range, while turbulent flow would actually be needed for optimum measurement.
- Despite loss of accuracy and linearity in applications with light gases and low flow rates, the device measures with a good degree of repeatability and is therefore suitable for monitoring flow conditions (e.g. leak detection).
- The recommended inlet runs must be doubled for light gases. →  38

Operable flow range

- 200:1 with factory calibration
- Up to 1000:1 with application-specific adjustment

Input signal

Output and input variants →  15

External values

The measuring device provides interfaces which allow values measured externally →  14 to be transmitted to the measuring device:

- Analog inputs 4-20 mA
- Digital inputs


Pressure values can be transmitted as absolute or gauge pressure. For gauge pressure, the atmospheric pressure must be known or specified by the customer.

HART protocol

The measured values are written from the automation system to the measuring device via the HART protocol. The pressure transmitter must support the following protocol-specific functions:

- HART protocol
- Burst mode

Current input

The measured values are written from the automation system to the measuring device via the current input →  14.

Digital communication

The measured values can be written by the automation system via:
Modbus RS485

Current input 0/4 to 20 mA

Current input	0/4 to 20 mA (active/passive)
Current span	<ul style="list-style-type: none"> ▪ 4 to 20 mA (active) ▪ 0/4 to 20 mA (passive)
Resolution	1 µA
Voltage drop	Typically: 0.6 to 2 V for 3.6 to 22 mA (passive)
Maximum input voltage	≤ 30 V (passive)
Open-circuit voltage	≤ 28.8 V (active)
Possible input variables	<ul style="list-style-type: none"> ▪ Pressure ▪ Temperature ▪ Mol-% (gas analyzer) ▪ External reference flow rate (in-situ adjustment)

Status input

Maximum input values	<ul style="list-style-type: none"> ▪ DC -3 to 30 V ▪ If status input is active (ON): $R_i > 3 \text{ k}\Omega$
Response time	Configurable: 5 to 200 ms
Input signal level	<ul style="list-style-type: none"> ▪ Low signal: DC -3 to +5 V ▪ High signal: DC 12 to 30 V
Assignable functions	<ul style="list-style-type: none"> ▪ Off ▪ Reset the individual totalizers separately ▪ Reset all totalizers ▪ Flow override ▪ Second gas group ▪ Zero point adjustment

Output

Output and input variants


Depending on the option selected for output/input 1, different options are available for the other outputs and inputs. Only one option can be selected for each output/input 1 to 3. The following tables must be read vertically (↓).

Example: If the option BA "4–20 mA HART" was selected for output/input 1, one of the options A, B, D, E, , H, I or J is available for output 2 and one of the options A, B, D, E, , H, I or J is available for output 3.

Output/input 1 and options for output/input 2

 Options for output/input 3 →  16

Order code for "Output; input 1" (020) →	Possible options												
Current output 4 to 20 mA HART	BA												
Current output 4 to 20 mA HART Ex i passive	↓	CA											
Current output 4 to 20 mA HART Ex i active		↓	CC										
Modbus RS485								↓	MA				
Order code for "Output; input 2" (021) →	↓	↓	↓	↓	↓	↓	↓	↓	↓	↓	↓	↓	↓
Not used	A	A	A	A	A	A	A	A	A	A	A	A	A
Current output 4 to 20 mA	B			B		B	B		B	B	B	B	
User-configurable input/output ¹⁾	D			D		D	D		D	D	D	D	
Pulse/frequency/switch output	E			E		E	E		E	E	E	E	
Relay output	H			H		H	H		H	H	H	H	
Current input 0/4 to 20 mA	I			I		I	I		I	I	I	I	
Status input	J			J		J	J		J	J	J	J	

1) A specific input or output can be assigned →  20 to a user-configurable input/output.

Output/input 1 and options for output/input 3

 Options for output/input 2 →  15

Order code for "Output; input 1" (020) →	Possible options												
Current output 4 to 20 mA HART	BA												
Current output 4 to 20 mA HART Ex i passive	↓	CA											
Current output 4 to 20 mA HART Ex i active		↓	CC										
Modbus RS485								↓	MA				
Order code for "Output; input 3" (022) →	↓	↓	↓	↓	↓	↓	↓	↓	↓	↓	↓	↓	↓
Not used	A	A	A	A	A	A	A	A	A	A	A	A	A
Current output 4 to 20 mA	B					B			B	B	B	B	
User-configurable input/output	D					D			D	D	D	D	
Pulse/frequency/switch output	E					E			E	E	E	E	
Relay output	H					H			H	H	H	H	
Current input 0/4 to 20 mA	I					I			I	I	I	I	
Status input	J					J			J	J	J	J	

Output signal

Current output 4 to 20 mA HART

Order code	"Output; input 1" (20): Option BA: current output 4 to 20 mA HART
Signal mode	Can be set to: <ul style="list-style-type: none"> ■ Active ■ Passive
Current range	Can be set to: <ul style="list-style-type: none"> ■ 4 to 20 mA NAMUR ■ 4 to 20 mA US ■ 4 to 20 mA ■ 0 to 20 mA (only if the signal mode is active) ■ Fixed current
Open-circuit voltage	DC 28.8 V (active)
Maximum input voltage	DC 30 V (passive)
Load	250 to 700 Ω
Resolution	0.38 μ A
Damping	Configurable: 0 to 999.9 s
Assignable measured variables	<ul style="list-style-type: none"> ■ Mass flow ■ Volume flow ■ Corrected volume flow ■ FAD volume flow ■ Flow velocity ■ Temperature ■ Energy flow ■ Pressure ■ Density ■ Heat flow ■ Electronics temperature ■ 2nd temperature heat difference <p>For SIL (application package), only mass flow</p>

Current output 4 to 20 mA HART Ex i

Order code	"Output; input 1" (20) choose from: <ul style="list-style-type: none"> ■ Option CA: current output 4 to 20 mA HART Ex i passive ■ Option CC: current output 4 to 20 mA HART Ex i active
Signal mode	Depends on the selected order version.
Current range	Can be set to: <ul style="list-style-type: none"> ■ 4 to 20 mA NAMUR ■ 4 to 20 mA US ■ 4 to 20 mA ■ 0 to 20 mA (only if the signal mode is active) ■ Fixed current
Open-circuit voltage	DC 21.8 V (active)
Maximum input voltage	DC 30 V (passive)
Load	<ul style="list-style-type: none"> ■ 250 to 400 Ω (active) ■ 250 to 700 Ω (passive)
Resolution	0.38 μ A

Damping	Configurable: 0 to 999.9 s
Assignable measured variables	<ul style="list-style-type: none"> ■ Mass flow ■ Volume flow ■ Corrected volume flow ■ FAD volume flow ■ Flow velocity ■ Temperature ■ Energy flow ■ Pressure ■ Density ■ Heat flow ■ Electronics temperature ■ 2nd temperature heat difference <p>For SIL (application package), only mass flow</p>

Modbus RS485

Physical interface	RS485 in accordance with EIA/TIA-485 standard
Terminating resistor	Integrated, can be activated via DIP switches

Current output 4 to 20 mA

Order code	"Output; input 2" (21), "Output; input 3" (022): Option B: current output 4 to 20 mA
Signal mode	Can be set to: <ul style="list-style-type: none"> ■ Active ■ Passive
Current span	Can be set to: <ul style="list-style-type: none"> ■ 4 to 20 mA NAMUR ■ 4 to 20 mA US ■ 4 to 20 mA ■ 0 to 20 mA (only if the signal mode is active) ■ Fixed current
Maximum output values	22.5 mA
Open-circuit voltage	DC 28.8 V (active)
Maximum input voltage	DC 30 V (passive)
Load	0 to 700 Ω
Resolution	0.38 μA
Damping	Configurable: 0 to 999.9 s
Assignable measured variables	<ul style="list-style-type: none"> ■ Mass flow ■ Volume flow ■ Corrected volume flow ■ FAD volume flow ■ Flow velocity ■ Temperature ■ Energy flow ■ Pressure ■ Density ■ Heat flow ■ Electronics temperature ■ 2nd temperature heat difference <p>For SIL (application package), only mass flow</p>

Pulse/frequency/switch output

Function	Can be configured as pulse, frequency or switch output
Version	Open collector Can be set to: <ul style="list-style-type: none"> ▪ Active ▪ Passive ▪ Passive NAMUR
Maximum input values	DC 30 V, 250 mA (passive)
Open-circuit voltage	DC 28.8 V (active)
Voltage drop	For 22.5 mA: ≤ DC 2 V
Pulse output	
Maximum input values	DC 30 V, 250 mA (passive)
Maximum output current	22.5 mA (active)
Open-circuit voltage	DC 28.8 V (active)
Pulse width	Configurable: 0.05 to 2 000 ms
Maximum pulse rate	10 000 Impulse/s
Pulse value	Configurable
Assignable measured variables	<ul style="list-style-type: none"> ▪ Mass flow ▪ Volume flow ▪ Corrected volume flow ▪ FAD volume flow ▪ Energy flow ▪ Heat flow For SIL (application package), only mass flow
Frequency output	
Maximum input values	DC 30 V, 250 mA (passive)
Maximum output current	22.5 mA (active)
Open-circuit voltage	DC 28.8 V (active)
Output frequency	Configurable: end value frequency 2 to 10 000 Hz ($f_{\max} = 12\,500$ Hz)
Damping	Configurable: 0 to 999.9 s
Pulse/pause ratio	1:1
Assignable measured variables	<ul style="list-style-type: none"> ▪ Mass flow ▪ Volume flow ▪ Corrected volume flow ▪ FAD volume flow ▪ Flow velocity ▪ Temperature ▪ Energy flow ▪ Pressure ▪ Density ▪ Heat flow ▪ Electronic temperature ▪ 2nd temperature heat difference For SIL (application package), only mass flow
Switch output	
Maximum input values	DC 30 V, 250 mA (passive)
Open-circuit voltage	DC 28.8 V (active)
Switching behavior	Binary, conductive or non-conductive
Switching delay	Configurable: 0 to 100 s

Number of switching cycles	Unlimited
Assignable functions	<ul style="list-style-type: none"> ■ Off ■ On ■ Diagnostic behavior ■ Limit value <ul style="list-style-type: none"> ■ Off ■ Mass flow ■ Volume flow ■ Corrected volume flow ■ FAD volume flow ■ Heat flow ■ Energy flow ■ Flow velocity ■ Density ■ Calorific value ■ Temperature ■ 2nd temperature heat difference ■ Totalizer 1-3 ■ Electronic temperature ■ Flow direction monitoring ■ Status <ul style="list-style-type: none"> Low flow cut off

Relay output

Function	Switch output
Version	Relay output, galvanically isolated
Switching behavior	Can be set to: <ul style="list-style-type: none"> ■ NO (normally open), factory setting ■ NC (normally closed)
Maximum switching capacity (passive)	<ul style="list-style-type: none"> ■ DC 30 V, 0.1 A ■ AC 30 V, 0.5 A
Assignable functions	<ul style="list-style-type: none"> ■ Off ■ On ■ Diagnostic behavior ■ Limit value <ul style="list-style-type: none"> ■ Off ■ Mass flow ■ Volume flow ■ Corrected volume flow ■ FAD volume flow ■ Heat flow ■ Energy flow ■ Flow velocity ■ Density ■ Temperature ■ 2nd temperature heat difference ■ Totalizer 1-3 ■ Electronics temperature ■ Flow direction monitoring ■ Status <ul style="list-style-type: none"> Low flow cut off

User-configurable input/output

One specific input or output is assigned to a user-configurable input/output (configurable I/O) during device commissioning.

The following inputs and outputs are available for assignment:

- Choice of current output: 4 to 20 mA (active), 0/4 to 20 mA (passive)
- Pulse/frequency/switch output
- Choice of current input: 4 to 20 mA (active), 0/4 to 20 mA (passive)
- Status input

The technical values correspond to those of the inputs and outputs described in this section.

Signal on alarm

Depending on the interface, failure information is displayed as follows:

HART current output

Device diagnostics	Device condition can be read out via HART Command 48
---------------------------	--

Modbus RS485

Failure mode	Choose from: <ul style="list-style-type: none"> ▪ NaN value instead of current value ▪ Last valid value
---------------------	---

Current output 0/4 to 20 mA

4 to 20 mA

Failure mode	Choose from: <ul style="list-style-type: none"> ▪ 4 to 20 mA in accordance with NAMUR recommendation NE 43 ▪ 4 to 20 mA in accordance with US ▪ Min. value: 3.59 mA ▪ Max. value: 22.5 mA ▪ Definable value between: 3.59 to 22.5 mA ▪ Actual value ▪ Last valid value
---------------------	---

0 to 20 mA

Failure mode	Choose from: <ul style="list-style-type: none"> ▪ Maximum alarm: 22 mA ▪ Definable value between: 0 to 20.5 mA
---------------------	--

Pulse/frequency/switch output

Pulse output	
Fault mode	Choose from: <ul style="list-style-type: none"> ▪ Actual value ▪ No pulses
Frequency output	
Fault mode	Choose from: <ul style="list-style-type: none"> ▪ Actual value ▪ 0 Hz ▪ Definable value between: 2 to 12 500 Hz
Switch output	
Fault mode	Choose from: <ul style="list-style-type: none"> ▪ Current status ▪ Open ▪ Closed

Relay output

Failure mode	Choose from: <ul style="list-style-type: none"> ▪ Current status ▪ Open ▪ Closed
---------------------	---

Local display

Plain text display	With information on cause and remedial measures
Backlight	Red lighting indicates a device error.



Status signal as per NAMUR recommendation NE 107

Interface/protocol

- Via digital communication:
 - HART protocol
 - Modbus RS485
- Via service interface
 - CDI-RJ45 service interface
 - WLAN interface

Plain text display	With information on cause and remedial measures
---------------------------	---



Additional information on remote operation → 66

Web browser

Plain text display	With information on cause and remedial measures
---------------------------	---

Light emitting diodes (LED)

Status information	Status indicated by various light emitting diodes The following information is displayed depending on the device version: <ul style="list-style-type: none"> ▪ Supply voltage active ▪ Data transmission active ▪ Device alarm/error has occurred
---------------------------	---

Load

Output signal → 17

Ex connection data**Safety-related values**

Order code "Output; input 1"	Output type	Safety-related values "Output; input 1"	
		26 (+)	27 (-)
Option BA	Current output 4 to 20 mA HART	$U_N = 30 V_{DC}$ $U_M = 250 V_{AC}$	
Option MA	Modbus RS485	$U_N = 30 V_{DC}$ $U_M = 250 V_{AC}$	

Order code "Output; input 2"; "Output; input 3"	Output type	Safety-related values			
		Output; input 2		Output; input 3	
		24 (+)	25 (-)	22 (+)	23 (-)
Option B	Current output 4 to 20 mA	$U_N = 30 V_{DC}$ $U_M = 250 V_{AC}$			
Option D	User-configurable input/ output	$U_N = 30 V_{DC}$ $U_M = 250 V_{AC}$			
Option E	Pulse/frequency/switch output	$U_N = 30 V_{DC}$ $U_M = 250 V_{AC}$			

Order code "Output; input 2"; "Output; input 3"	Output type	Safety-related values			
		Output; input 2		Output; input 3	
		24 (+)	25 (-)	22 (+)	23 (-)
Option H	Relay output	$U_N = 30 V_{DC}$ $I_N = 100 mA_{DC}/500 mA_{AC}$ $U_M = 250 V_{AC}$			
Option I	Current input 4 to 20 mA	$U_N = 30 V_{DC}$ $U_M = 250 V_{AC}$			
Option J	Status input	$U_N = 30 V_{DC}$ $U_M = 250 V_{AC}$			

Intrinsically safe values

Order code "Output; input 1"	Output type	Intrinsically safe values "Output; input 1"	
		26 (+)	27 (-)
Option CA	Current output 4 to 20 mA HART Ex i passive	$U_i = 30 V$ $I_i = 100 mA$ $P_i = 1.25 W$ $L_i = 0 \mu H$ $C_i = 6 nF$	
Option CC	Current output 4 to 20 mA HART Ex i active	Ex ia $U_0 = 21.8 V$ $I_0 = 90 mA$ $P_0 = 491 mW$ $L_0 = 4.1 mH(IIC)/$ $15 mH(IIB)$ $C_0 = 160 nF(IIC)/$ $1160 nF(IIB)$ $U_i = 30 V$ $I_i = 10 mA$ $P_i = 0.3 W$ $L_i = 5 \mu H$ $C_i = 6 nF$	Ex ic¹⁾ $U_0 = 21.8 V$ $I_0 = 90 mA$ $P_i = 491 mW$ $L_0 = 9 mH(IIC)/$ $39 mH(IIB)$ $C_0 = 600 nF(IIC)/$ $4000 nF(IIB)$

1) Only available for transmitter Zone 2; Class I, Division 2.

Order code for "Output; input 2"; "Output; input 3"	Output type	Intrinsically safe values or NIFW values			
		Output; input 2		Output; input 3	
		24 (+)	25 (-)	22 (+)	23 (-)
Option C	Current output 4 to 20 mA Ex i passive	$U_i = 30 V$ $I_i = 100 mA$ $P_i = 1.25 W$ $L_i = 0$ $C_i = 0$			
Option G	Pulse/frequency/switch output Ex i passive	$U_i = 30 V$ $I_i = 100 mA$ $P_i = 1.25 W$ $L_i = 0$ $C_i = 0$			

Low flow cut off

The switch points for low flow cut off are user-selectable.

Galvanic isolation

The outputs are galvanically isolated:


- from the power supply
- from one another
- from the potential equalization (PE) terminal

Protocol-specific data

HART

Manufacturer ID	0x11
Device type ID	0x1160
HART protocol revision	7
Device description files (DTM, DD)	Information and files under: www.endress.com
HART load	Min. 250 Ω
System integration	Information on system integration: Operating Instructions . <ul style="list-style-type: none"> ▪ Measured variables via HART protocol ▪ Burst Mode functionality

Modbus RS485

Protocol	Modbus Applications Protocol Specification V1.1
Response times	<ul style="list-style-type: none"> ▪ Direct data access: typically 25 to 50 ms ▪ Auto-scan buffer (data range): typically 3 to 5 ms
Device type	Slave
Slave address range	1 to 247
Broadcast address range	0
Function codes	<ul style="list-style-type: none"> ▪ 03: Read holding register ▪ 04: Read input register ▪ 06: Write single registers ▪ 08: Diagnostics ▪ 16: Write multiple registers ▪ 23: Read/write multiple registers
Broadcast messages	Supported by the following function codes: <ul style="list-style-type: none"> ▪ 06: Write single registers ▪ 16: Write multiple registers ▪ 23: Read/write multiple registers
Supported baud rate	<ul style="list-style-type: none"> ▪ 1 200 BAUD ▪ 2 400 BAUD ▪ 4 800 BAUD ▪ 9 600 BAUD ▪ 19 200 BAUD ▪ 38 400 BAUD ▪ 57 600 BAUD ▪ 115 200 BAUD
Data transmission mode	<ul style="list-style-type: none"> ▪ ASCII ▪ RTU
Data access	Each device parameter can be accessed via Modbus RS485.  For Modbus register information
System integration	Information regarding system integration: Operating Instructions . <ul style="list-style-type: none"> ▪ Modbus RS485 information ▪ Function codes ▪ Register information ▪ Response time ▪ Modbus data map

Power supply

Terminal assignment


Transmitter: supply voltage, input/outputs

HART


Supply voltage		Input/output 1		Input/output 2		Input/output 3	
1 (+)	2 (-)	26 (+)	27 (-)	24 (+)	25 (-)	22 (+)	23 (-)
The terminal assignment depends on the specific device version ordered → 15.							

Modbus RS485

Supply voltage		Input/output 1		Input/output 2		Input/output 3	
1 (+)	2 (-)	26 (B)	27 (A)	24 (+)	25 (-)	22 (+)	23 (-)
The terminal assignment depends on the specific device version ordered → 15.							

 Terminal assignment of the remote display and operating module → 26.

Available device plugs

 Device plugs may not be used in hazardous areas!

Device plug for connecting to the service interface:

Order code for "Accessory mounted"

Option NB, RJ45 M12 adapter (service interface) → 31

Order code for "Accessory mounted", option NB "Adapter RJ45 M12 (service interface)"

Order code "Accessory mounted"	Cable entry/coupling → 26	
	Cable entry 2	Cable entry 3
NB	Plug M12 × 1	-

Supply voltage

Order code "Power supply"	Terminal voltage		Frequency range
Option D	DC 24 V	±20%	-
Option E	AC 100 to 240 V	-15...+10%	50/60 Hz, ±4 Hz
Option I	DC 24 V	±20%	-
	AC 100 to 240 V	-15...+10%	50/60 Hz, ±4 Hz

Power consumption

Transmitter

Max. 10 W (active power)

switch-on current	Max. 36 A (<5 ms) as per NAMUR Recommendation NE 21
-------------------	---

Current consumption

Transmitter

- Max. 400 mA (24 V)
- Max. 200 mA (110 V, 50/60 Hz; 230 V, 50/60 Hz)

Power supply failure

- Totalizers stop at the last value measured.
- Depending on the device version, the configuration is retained in the device memory or in the pluggable data memory (HistoROM DAT).
- Error messages (incl. total operated hours) are stored.

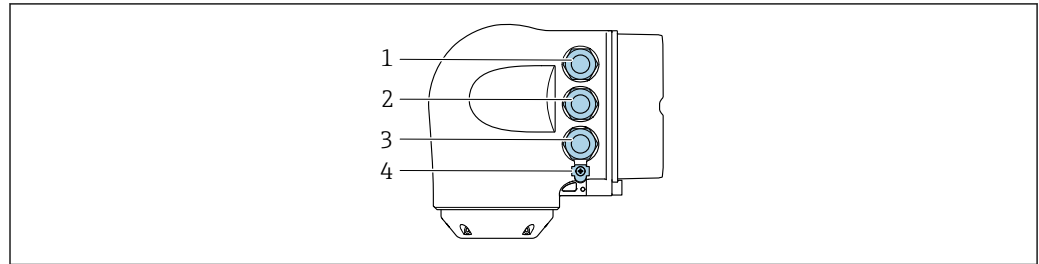
Overcurrent protection element

The device must be operated with a dedicated circuit breaker, as it does not have an ON/OFF switch of its own.

- The circuit breaker must be easy to reach and labeled accordingly.
- Permitted nominal current of the circuit breaker: 2 A up to maximum 10 A.

Electrical connection**Transmitter connection**

- i** ▪ Terminal assignment → 25
- Device plugs available → 25



A0026781

- 1 Terminal connection for supply voltage
- 2 Terminal connection for signal transmission, input/output
- 3 Terminal connection for signal transmission, input/output or terminal for network connection via service interface (CDI-RJ45); Optional: terminal connection for external WLAN antenna or connection for remote display and operating module DKX001
- 4 Terminal connection for potential equalization (PE)

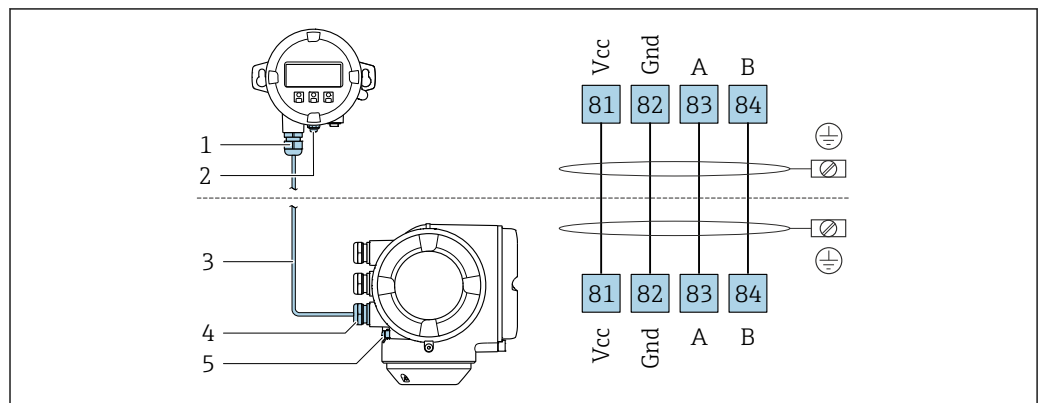
- i** An adapter for the RJ45 to the M12 plug is optionally available:
Order code for "Accessories", option **NB**: "Adapter RJ45 M12 (service interface)"

The adapter connects the service interface (CDI-RJ45) to an M12 plug mounted in the cable entry. The connection to the service interface can therefore be established via an M12 plug without opening the device.

- i** Network connection via service interface (CDI-RJ45) → 68

Connecting the remote display and operating module DKX001

- i** The remote display and operating module DKX001 is available as an optional extra → 77.
 - The measuring device is always supplied with a dummy cover when the remote display and operating module DKX001 is ordered directly with the measuring device. Display or operation at the transmitter is not possible in this case.
 - If ordered subsequently, the remote display and operating module DKX001 may not be connected at the same time as the existing measuring device display module. Only one display or operation unit may be connected to the transmitter at any one time.

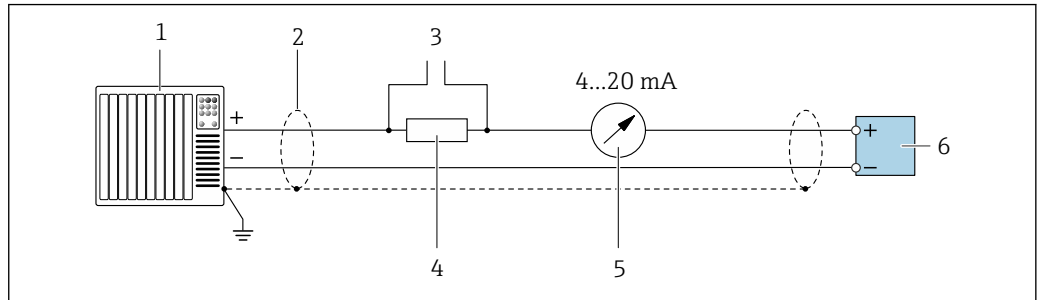


A0027518

- 1 Remote display and operating module DKX001
- 2 Terminal connection for potential equalization (PE)
- 3 Connecting cable
- 4 Measuring device
- 5 Terminal connection for potential equalization (PE)

Connection examples

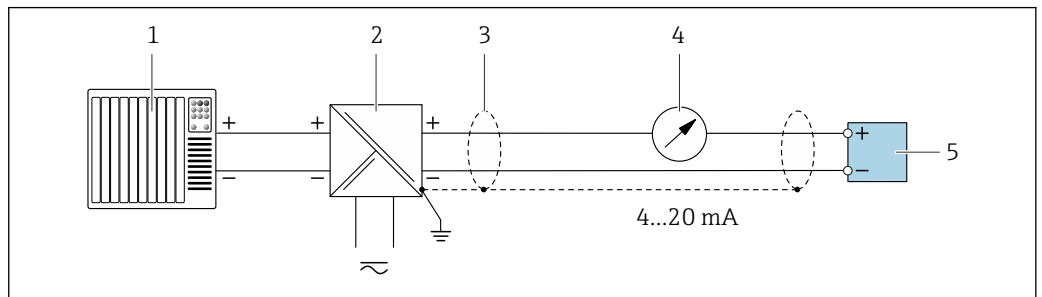
Current output 4 to 20 mA HART



A0029055

2 Connection example for 4 to 20 mA HART current output (active)

- 1 Automation system with current input (e.g. PLC)
- 2 Ground cable shield at one end. The cable shield must be grounded at both ends to comply with EMC requirements; observe cable specifications → 31
- 3 Connection for HART operating devices → 66
- 4 Resistor for HART communication ($\geq 250 \Omega$); observe maximum load → 17
- 5 Analog display unit: observe maximum load → 17
- 6 Transmitter

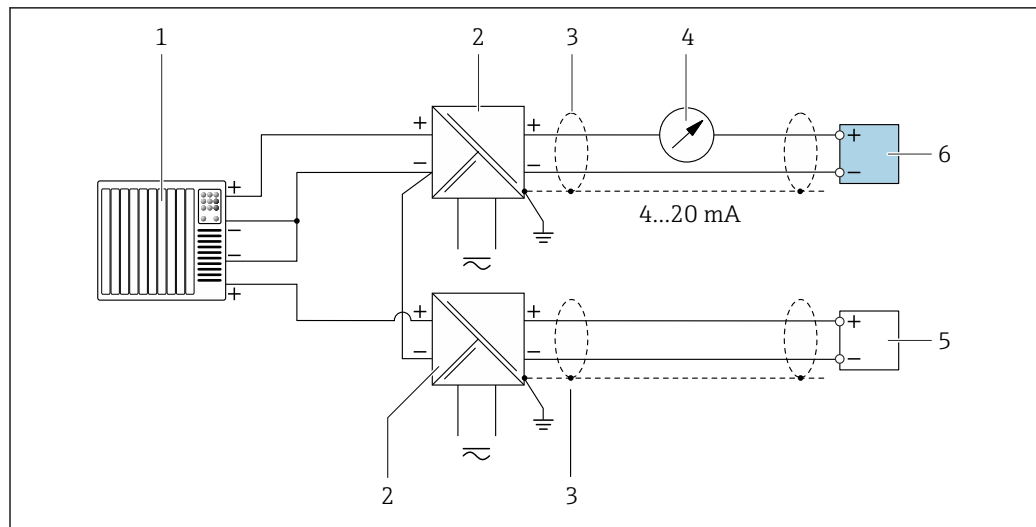


A0028762

3 Connection example for 4 to 20 mA HART current output (passive)

- 1 Automation system with current input (e.g. PLC)
- 2 Power supply
- 3 Ground cable shield at one end. The cable shield must be grounded at both ends to comply with EMC requirements; observe cable specifications → 31
- 4 Analog display unit: observe maximum load → 17
- 5 Transmitter

HART input

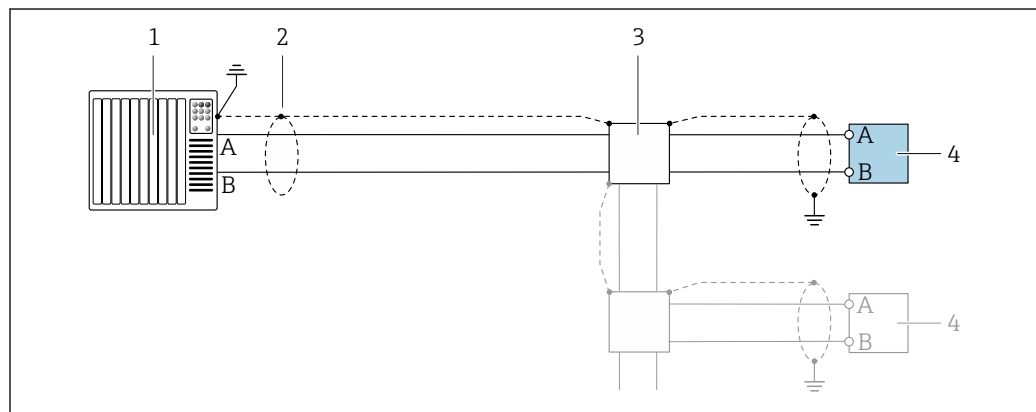


A0028763

4 Connection example for HART input with a common negative (passive)

- 1 Automation system with HART output (e.g. PLC)
- 2 Active barrier for power supply (e.g. RN221N)
- 3 Ground cable shield at one end. The cable shield must be grounded at both ends to comply with EMC requirements; observe cable specifications
- 4 Analog display unit: observe maximum load → 17
- 5 Pressure measuring device (e.g. Cerabar M, Cerabar S): observe requirements
- 6 Transmitter

Modbus RS485

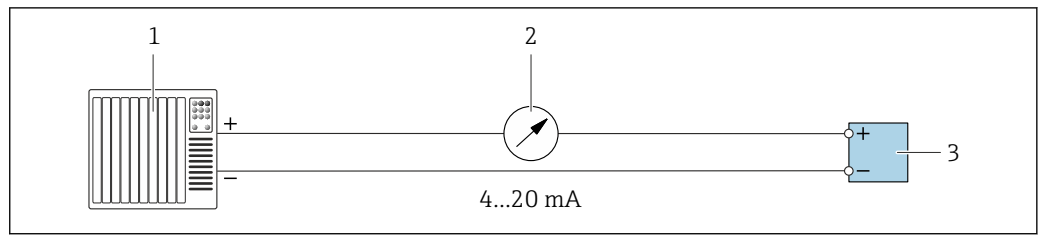


A0028765

5 Connection example for Modbus RS485, non-hazardous area and Zone 2; Class I, Division 2

- 1 Control system (e.g. PLC)
- 2 Cable shield provided at one end. The cable shield must be grounded at both ends to comply with EMC requirements; observe cable specifications
- 3 Distribution box
- 4 Transmitter

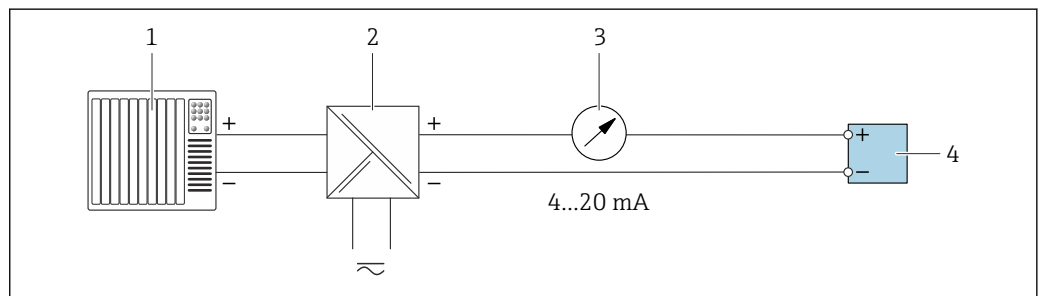
Current output 4-20 mA



A0028758

6 Connection example for 4-20 mA current output (active)

- 1 Automation system with current input (e.g. PLC)
- 2 Analog display unit: observe maximum load → 17
- 3 Transmitter

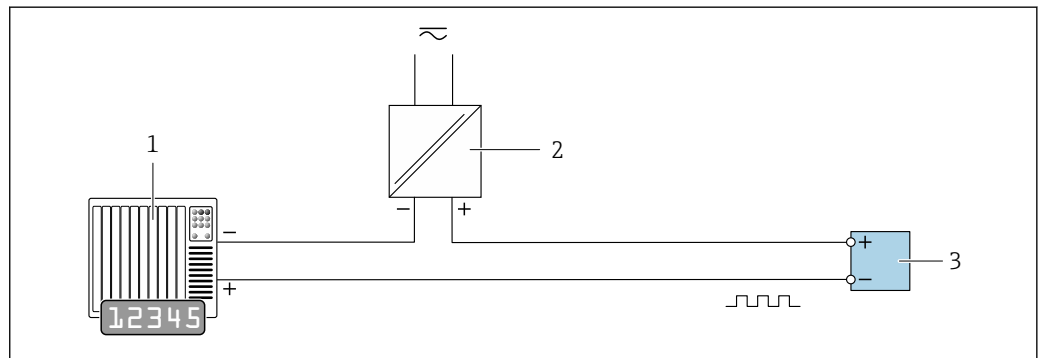


A0028759

7 Connection example for 4-20 mA current output (passive)

- 1 Automation system with current input (e.g. PLC)
- 2 Active barrier for power supply (e.g. RN221N)
- 3 Analog display unit: observe maximum load → 17
- 4 Transmitter

Pulse/frequency output

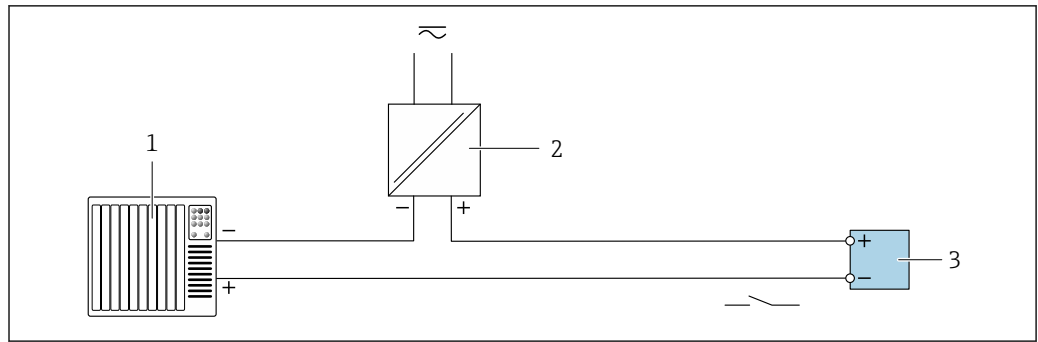


A0028761

8 Connection example for pulse/frequency output (passive)

- 1 Automation system with pulse/frequency input (e.g. PLC with 10 kΩ pull-up or pull-down resistor)
- 2 Power supply
- 3 Transmitter: observe input values → 19

Switch output

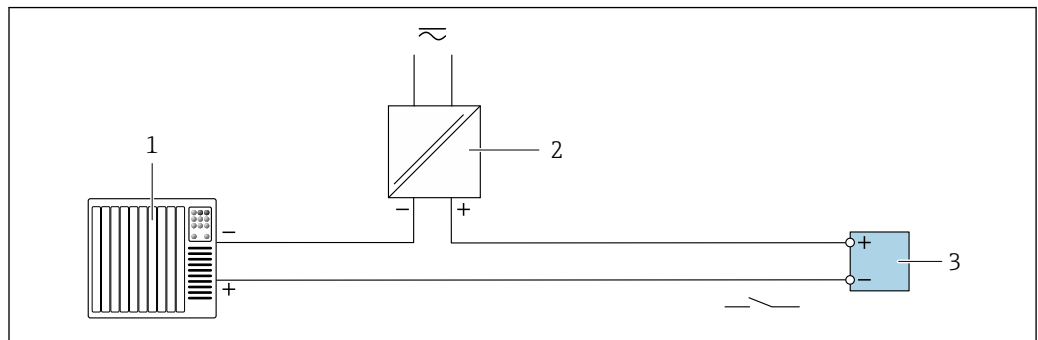


A0028760

9 Connection example for switch output (passive)

- 1 Automation system with switch input (e.g. PLC with a 10 kΩ pull-up or pull-down resistor)
- 2 Power supply
- 3 Transmitter: observe input values → 19

Relay output

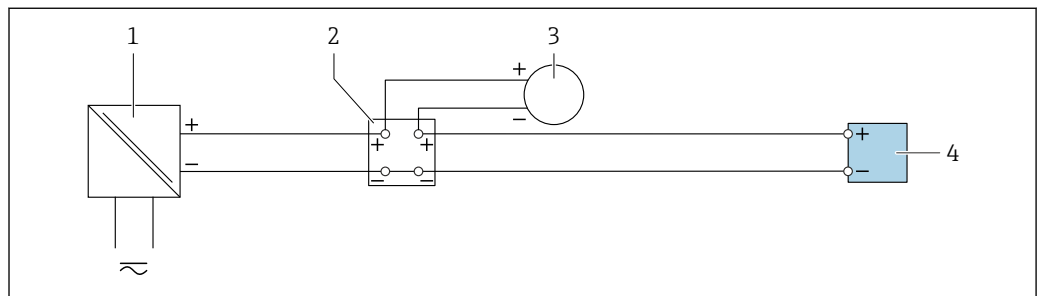


A0028760

10 Connection example for relay output (passive)

- 1 Automation system with relay input (e.g. PLC)
- 2 Power supply
- 3 Transmitter: observe input values → 20

Current input

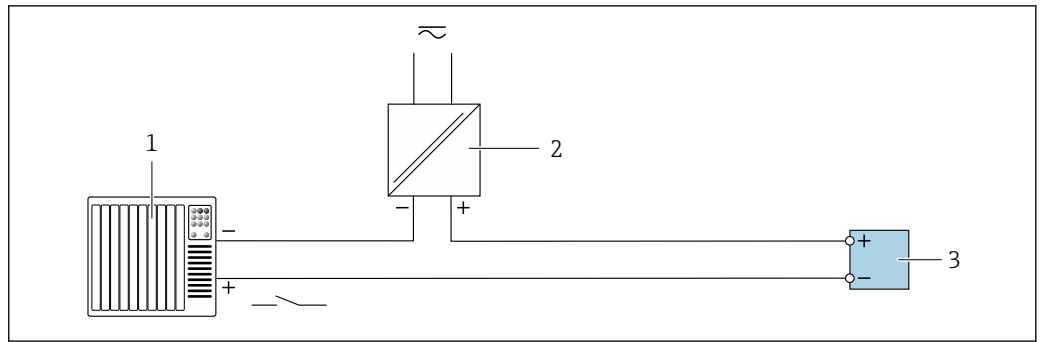


A0028915

11 Connection example for 4 to 20 mA current input

- 1 Power supply
- 2 Terminal box
- 3 External measuring device (to read in pressure or temperature, for instance)
- 4 Transmitter

Status input



12 Connection example for status input

- 1 Automation system with status output (e.g. PLC)
- 2 Power supply
- 3 Transmitter

A0028764

Potential equalization

Requirements

For potential equalization:

- Pay attention to in-house grounding concepts
- Take account of operating conditions like the pipe material and grounding
- Connect the medium, sensor and transmitter to the same electrical potential
- Use a ground cable with a minimum cross-section of 6 mm² (0.0093 in²) and a cable lug for potential equalization connections

Terminals

Spring-loaded terminals: Suitable for strands and strands with ferrules.
 Conductor cross-section 0.2 to 2.5 mm² (24 to 12 AWG).

Cable entries

- Cable gland: M20 × 1.5 with cable Ø 6 to 12 mm (0.24 to 0.47 in)
- Thread for cable entry:
 - NPT ½"
 - G ½"
 - M20

Pin assignment, device plug

Service interface

Order code for "Accessories mounted", option **NB**: Adapter RJ45 M12 (service interface)

<p>A0032047</p>	Pin		Assignment	
	1	+		Tx
	2	+		Rx
	3	-		Tx
	4	-		Rx
Coding		Plug/socket		
D		Socket		



Recommended plug:

- Binder, series 763, part no. 99 3729 810 04
- Phoenix, part no. 1543223 SACC-M12MSD-4Q

Cable specification

Permitted temperature range

- The installation guidelines that apply in the country of installation must be observed.
- The cables must be suitable for the minimum and maximum temperatures to be expected.

Power supply cable (incl. conductor for the inner ground terminal)

Standard installation cable is sufficient.

Protective grounding cable for the outer ground terminal

Conductor cross-section < 2.1 mm² (14 AWG)

The use of a cable lug enables the connection of larger cross-sections.

The grounding impedance must be less than 2 Ω.

Signal cable

Current output 4 to 20 mA HART

A shielded cable is recommended. Observe grounding concept of the plant.

Modbus RS485

The EIA/TIA-485 standard specifies two types of cable (A and B) for the bus line which can be used for every transmission rate. Cable type A is recommended.

Cable type	A
Characteristic impedance	135 to 165 Ω at a measuring frequency of 3 to 20 MHz
Cable capacitance	< 30 pF/m
Wire cross-section	> 0.34 mm ² (22 AWG)
Cable type	Twisted pairs
Loop resistance	≤ 110 Ω/km
Signal damping	Max. 9 dB over the entire length of the cable cross-section
Shield	Copper braided shielding or braided shielding with foil shield. When grounding the cable shield, observe the grounding concept of the plant.

Current output 0/4 to 20 mA

Standard installation cable is sufficient

Pulse /frequency /switch output

Standard installation cable is sufficient

Relay output

Standard installation cable is sufficient.

Current input 0/4 to 20 mA

Standard installation cable is sufficient

Status input

Standard installation cable is sufficient

Connecting cable for transmitter - remote display and operating module DKX001

Standard cable

A standard cable can be used as the connecting cable.

Standard cable	4 cores (2 pairs); pair-stranded with common shield
Shielding	Tin-plated copper-braid, optical cover ≥ 85 %
Capacitance: core/shield	Maximum 1 000 nF for Zone 1; Class I, Division 1
L/R	Maximum 24 μH/Ω for Zone 1; Class I, Division 1
Cable length	Maximum 300 m (1 000 ft), see the following table

Cross-section	Cable length for use in: <ul style="list-style-type: none"> ▪ Non-hazardous area ▪ Hazardous area: Zone 2; Class I, Division 2 ▪ Hazardous area: Zone 1; Class I, Division 1
0.34 mm ² (22 AWG)	80 m (270 ft)
0.50 mm ² (20 AWG)	120 m (400 ft)
0.75 mm ² (18 AWG)	180 m (600 ft)
1.00 mm ² (17 AWG)	240 m (800 ft)
1.50 mm ² (15 AWG)	300 m (1000 ft)

Optionally available connecting cable

Standard cable	2 × 2 × 0.34 mm ² (22 AWG) PVC cable ¹⁾ with common shield (2 pairs, pair-stranded)
Flame resistance	According to DIN EN 60332-1-2
Oil-resistance	According to DIN EN 60811-2-1
Shielding	Tin-plated copper-braid, optical cover ≥ 85 %
Capacitance: core/shield	≤200 pF/m
L/R	≤24 μH/Ω
Available cable length	10 m (35 ft)
Operating temperature	When mounted in a fixed position: -50 to +105 °C (-58 to +221 °F); when cable can move freely: -25 to +105 °C (-13 to +221 °F)

1) UV radiation can impair the cable outer sheath. Protect the cable from direct sunshine where possible.

Overvoltage protection

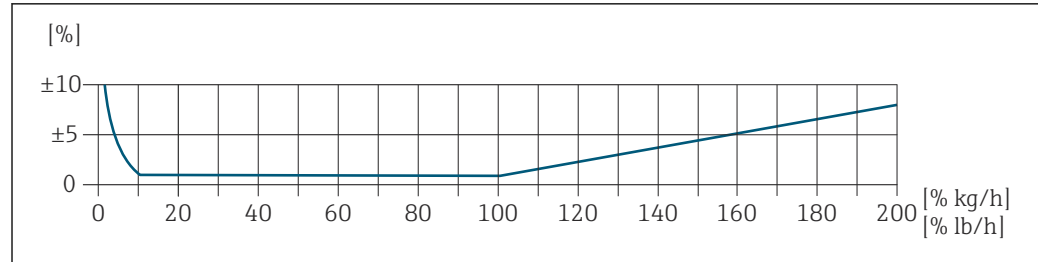
Mains voltage fluctuations	→ ☰ 25
Overvoltage category	Overvoltage category II
Short-term, temporary overvoltage	Up to 1200 V between cable and ground, for max. 5 s
Long-term, temporary overvoltage	Up to 500 V between cable and ground

Performance characteristics

Reference operating conditions

- Error limits based on ISO 11631
 - Dry air with +20 to +30 °C (+68 to +86 °F) at 0.8 to 1.5 bar (12 to 22 psi)
 - Specifications as per calibration protocol
 - Accuracy based on accredited calibration rigs that are traced to ISO 17025.
- i** To obtain measured errors, use the *Applicator* sizing tool → 79

Maximum measured error



Calibrated measuring range

The measuring accuracy is specified in relation to the mass flow and divided into two ranges:

- ±1.0 % of the current measured value for 100% to 10% of the calibrated measuring range (under reference operating conditions)
- ±0.10 % of the calibrated full scale value for 10% to 1% of the calibrated measuring range (under reference operating conditions)

The measuring device is calibrated and adjusted on an accredited and traceable calibration rig and its accuracy is certified in a calibration report ¹⁾ (5 control points).

Order code for "Calibration flow":

- Option G "Factory calibration": calibration report (5 control points)
- Option K "Traceable ISO/IEC17025": Swiss Calibration Services (SCS) calibration report (5 control points) which confirms traceability to the national calibration standard

i For information on calibrated measuring ranges and maximum full scale values → 11

Extended measuring range

The device has an extended measuring range that goes beyond the maximum calibrated value (100%). Here, the last measured values in the calibrated range are taken and then extrapolated. The end of the extrapolated range is only reached once the productive energy of the sensor is exceeded and/or the Mach number is greater than listed below.

Mach number	Order code
0.2	<ul style="list-style-type: none"> ▪ Order code for "Sensor version; sensor; insertion tube.", option SB "Bidirectional; stainless steel; stainless steel" ▪ Order code for "Sensor version; sensor; insertion tube.", option SC "Reverse flow detection; stainless steel; stainless steel"
0.4	<ul style="list-style-type: none"> ▪ Order code for "Sensor version; sensor; insertion tube.", option SA "Unidirectional; stainless steel; stainless steel" ▪ Order code for "Sensor version; sensor; insertion tube.", option HA "Unidirectional; Alloy; stainless steel"

The accuracy is specified in relation to the mass flow.

$\pm 1.0\% \pm (\text{current measured value in \%} - 100\%) \times 0.07$ for 100% to 200% of the calibrated measuring range (under reference operating conditions)

1) Two calibration reports for the order code for "Sensor version; sensor; insertion tube.", option SB "Bidirectional; stainless steel; stainless steel"

Accuracy of outputs

The outputs have the following base accuracy specifications.

Current output

Accuracy	±5 µA
-----------------	-------

Pulse/frequency output

o.r. = of reading

Accuracy	Max. ±50 ppm o.r. (over the entire ambient temperature range)
-----------------	---

Repeatability	±0.25 % of the display value for velocities above 1.0 m/s (3.3 ft/s)
----------------------	--

Response time	Typically < 3 s for 63 % of a step change (in both directions)
----------------------	--

Influence of ambient temperature	Current output
---	-----------------------

Temperature coefficient	Max. 1 µA/°C
--------------------------------	--------------

Pulse/frequency output

Temperature coefficient	No additional effect. Included in accuracy.
--------------------------------	---

Influence of medium temperature	Air: 0.02 % per °C (0.036 % per °F) of the process temperature change in relation to the reference temperature
--	--

Influence of medium pressure	Air: 0.3 % per bar (0.02 % per psi) of the process pressure change (from the set process pressure)
-------------------------------------	--

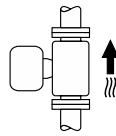
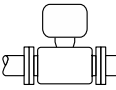
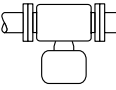
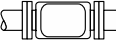
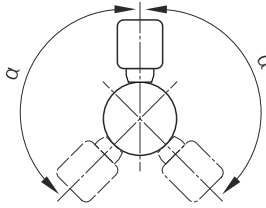
Mounting

As a prerequisite for correct flow measurement, thermal measuring devices require a fully developed flow profile. For this reason, please pay attention to the following points and document sections when installing the device:

- Avoid flow disturbances, as the thermal measuring principle reacts sensitively to them.
- Give priority to dry gases.
- Take measures to avoid or remove condensation (e.g. condensation trap, thermal insulation etc.).

Orientation

The direction of flow must match the direction of the arrow on the sensor. In the case of the bidirectional sensor, the arrow points in the positive direction. When performing bidirectional measurement, the sensing element must be installed with an accuracy of 3° .

Orientation		Recommendation
Vertical orientation	 A0015591	✓ ¹⁾
Horizontal orientation, transmitter head up	 A0015589	✓✓
Horizontal orientation, transmitter head down	 A0015590	✓ ²⁾
Horizontal orientation, transmitter head at side	 A0015592	✓
Inclined orientation, transmitter head down	 A0015773	✓ ²⁾

- 1) In the case of saturated or impure gases, vertical orientation is preferred in order to minimize condensation or contamination. For bidirectional sensors, select horizontal orientation.
- 2) Select inclined orientation ($\alpha = \text{approx. } 135^\circ$) for very wet or water-saturated gas (e.g. digester gas, undried compressed air), or if deposits or condensate are constantly present.

Installation instructions

For mechanical reasons and to protect the pipe, support is recommended for heavy sensors (e.g. when installing a hot tap).

Pipes

The measuring device must be professionally installed, and the following points must be observed:

- Weld pipes professionally.
- Use seals of the correct size.
- Align flanges and seals correctly.
- Remove protection cap from sensing element.
- Following installation, the pipe must be free from dirt and particles in order to avoid damage to the sensors.
- For further information → ISO standard 14511.

Insertion depth

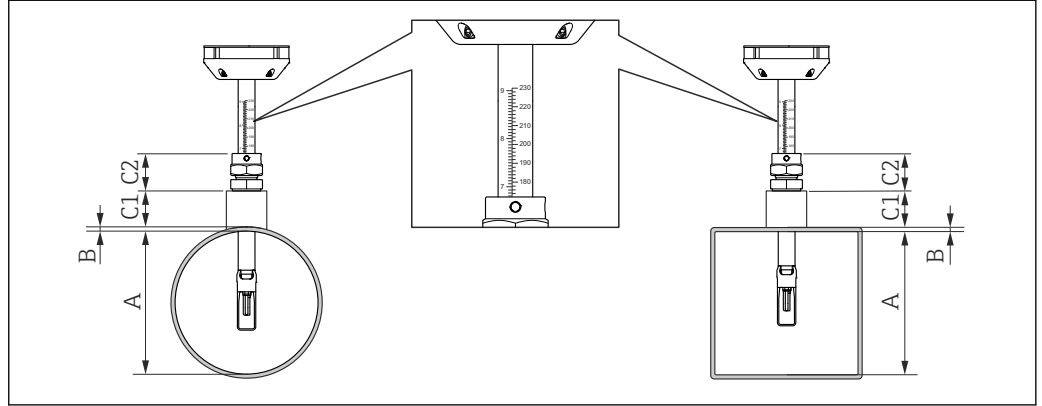
The minimum length of the insertion version can be determined using the Endress+Hauser Applicator program or with the calculation formula below. The calculated necessary insertion depth must be within the adjusting range of the selected insertion version.

NOTICE

Metal ferrules undergo plastic deformation during the initial installation.

As a result the insertion depth is fixed after initial installation and the ferrules can no longer be replaced.

- ▶ Pay attention to information on preconditions and on determining the insertion depth.
- ▶ Check the insertion depth closely before tightening the ferrules.



A0039548

13 Determine the dimensions A, B, C1 and C2

A In the case of a circular pipe: the pipe internal diameter (DN); in the case of a duct: the inner dimension

B Thickness of pipe wall or of duct wall

C1 Mounting kit

C2 Sensor's compression fitting

Calculating the insertion depth

$$\text{Insertion depth} = (0.3 \cdot A) + B + (C1 + C2)$$

i The insertion depth must be at least 100mm.

Determining dimensions C1 and C2

If only Endress+Hauser mounting bosses are used

Mounting boss 1" NPT	C1 + C2 = 112 mm (4.409 in)
Mounting boss G1"	C1 + C2 = 106 mm (4.173 in)
Mounting boss 3/4" NPT	C1 + C2 = 108 mm (4.252 in)
Mounting boss G3/4"	C1 + C2 = 105 mm (4.134 in)

i If a cold/hot tap is used, use dimension "L" → 51 instead of "C1".

i Use Applicator to determine dimensions C1 and C2 if using other E+H mounting kits (e.g. cold/hot taps).

If not exclusively using Endress+Hauser mounting bosses

C1	Length of pipe connection used
C2 (compression fitting with 1" NPT thread)	52 mm (2.047 in)
C2 (compression fitting with G1" thread)	46 mm (1.811 in)
C2 (compression fitting with 3/4" NPT thread)	48 mm (1.889 in)
C2 (compression fitting with G3/4" thread)	45 mm (1.772 in)

Selecting the length of the insertion version

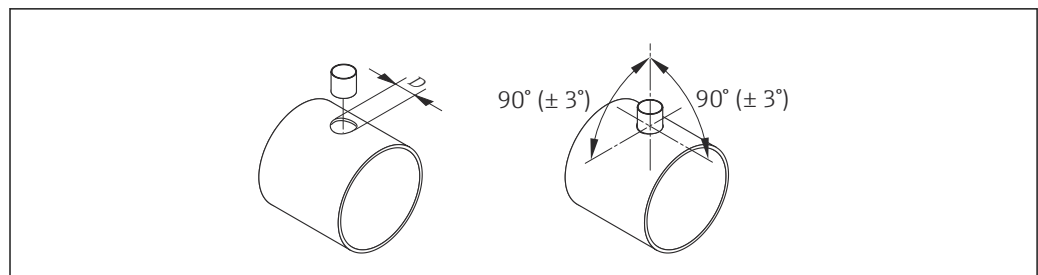
Select the length of the insertion version using the calculated insertion depth and the following table. The insertion depth must be within the adjusting range of the insertion version.

Length of insertion tube		Adjusting range (insertion depth)	
[mm]	[in]	[mm]	[in]
235	9	100 to 235	3.9 to 9.3
335	13	100 to 335	3.9 to 13.2
435	17	100 to 435	3.9 to 17.1
608	24	100 to 608	3.9 to 23.9

Installation conditions for nipples



Suitable support brackets must be used if installing in rectangular air ducts (or pipes with thin walls).



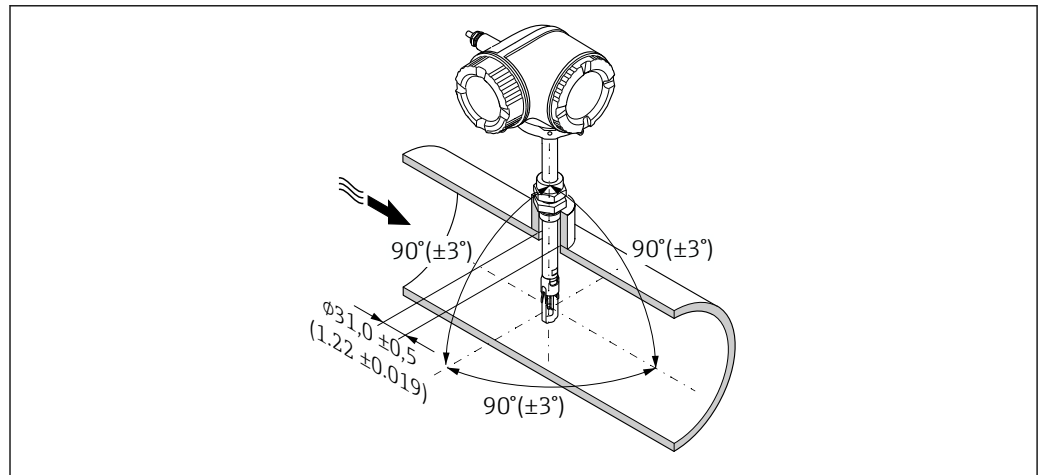
A0040684

$D \quad \varnothing 31.0 \pm 0.5 \text{ mm} (1.22 \pm 0.019 \text{ in})$

Aligning to the flow direction

The following criteria must be met for optimum flow measurement:

- The sensor is aligned at a 90° angle to the flow direction.
- The arrow engraved on the sensor shaft matches the positive flow direction.
- The scale on the sensor shaft is aligned with the pipe axis.



A0039511

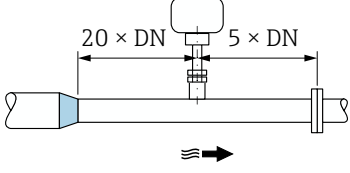
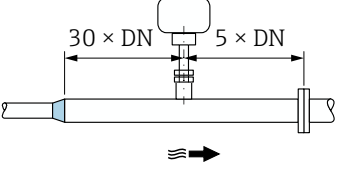
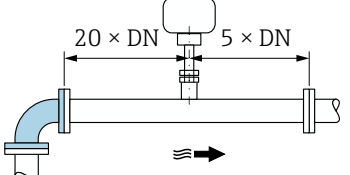
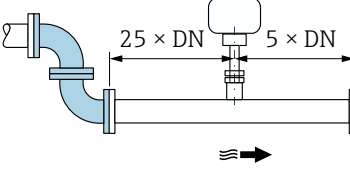
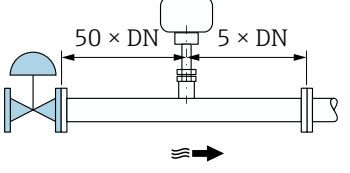
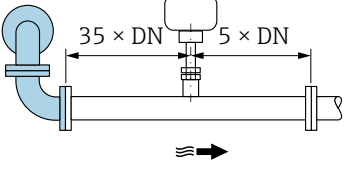
14 Engineering unit: mm (in)

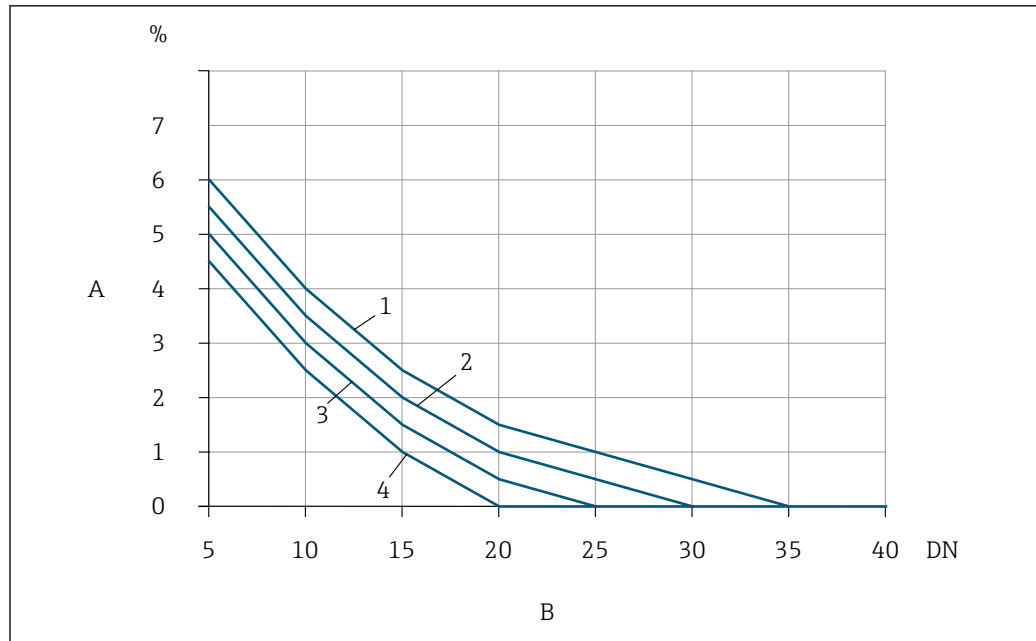
Inlet and outlet runs

A fully developed flow profile is a requirement for optimal thermal flow measurement.

To achieve the best possible measuring performance, observe the following inlet and outlet runs at the very minimum.

- In the case of bidirectional sensors, also observe the recommended inlet run in the opposite direction.
- If several flow disturbances are present, use flow conditioners.
- Use flow conditioners if it is not possible to observe the required inlet runs.
- In the case of control valves, the amount of disturbance depends on the valve type and opening degree. The recommended inlet run for control valves is $50 \times \text{DN}$.
- In the case of very light gases (helium, hydrogen), the recommended inlet run must be doubled.

 <p>15 Reduction</p> <p>A0040193</p>	 <p>16 Expansion</p> <p>A0040192</p>
 <p>17 90° elbow</p> <p>A0039440</p>	 <p>18 2 x 90° elbow</p> <p>A0039441</p>
 <p>19 Control valve</p> <p>A0039445</p>	 <p>20 2 x 90° elbow, 3-dimensional</p> <p>A0039442</p>



A0045846

21 The additional measured error to be expected without flow conditioners depending on the disturbance type and inlet run

- A Additional measured error (%)
 B Inlet run (DN)
 1 2 × 90° elbow, 3-dimensional
 2 Expansion
 3 2 × 90° elbow
 4 Reduction or 90° elbow

Flow conditioner

Use flow conditioners if it is not possible to observe the required inlet runs. Flow conditioners improve the flow profile and therefore reduce the necessary inlet runs.

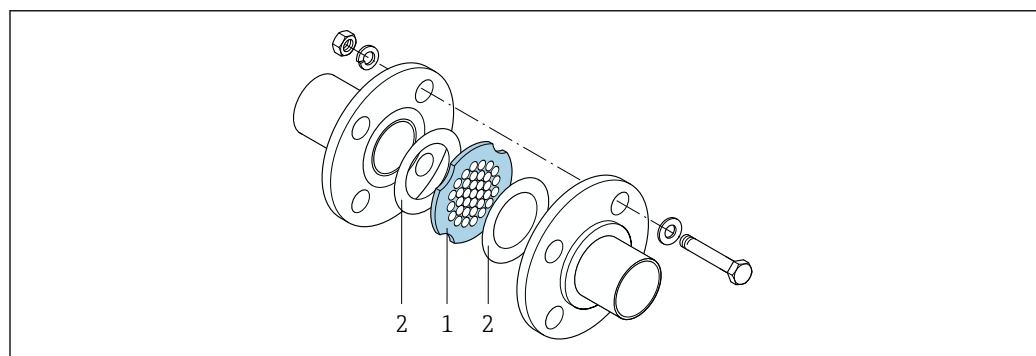
Mount the flow conditioner in flow direction in front of the measuring device.

Available in the following flange standards:

- ASME B16.5 Cl. 150/Cl. 300
- EN 1092-1 PN10/PN16/PN25/PN40
- JIS B2220 10K/20K

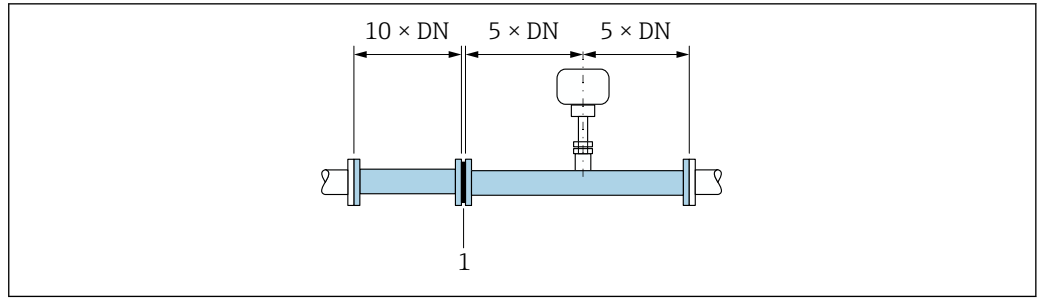
Available in the following line sizes:

- DN 80 (3")
- DN 100 (4")
- DN 150 (6")
- DN 200 (8")
- DN 250 (10")
- DN 300 (12")



A0039538

- 1 Flow conditioner
 2 Seal

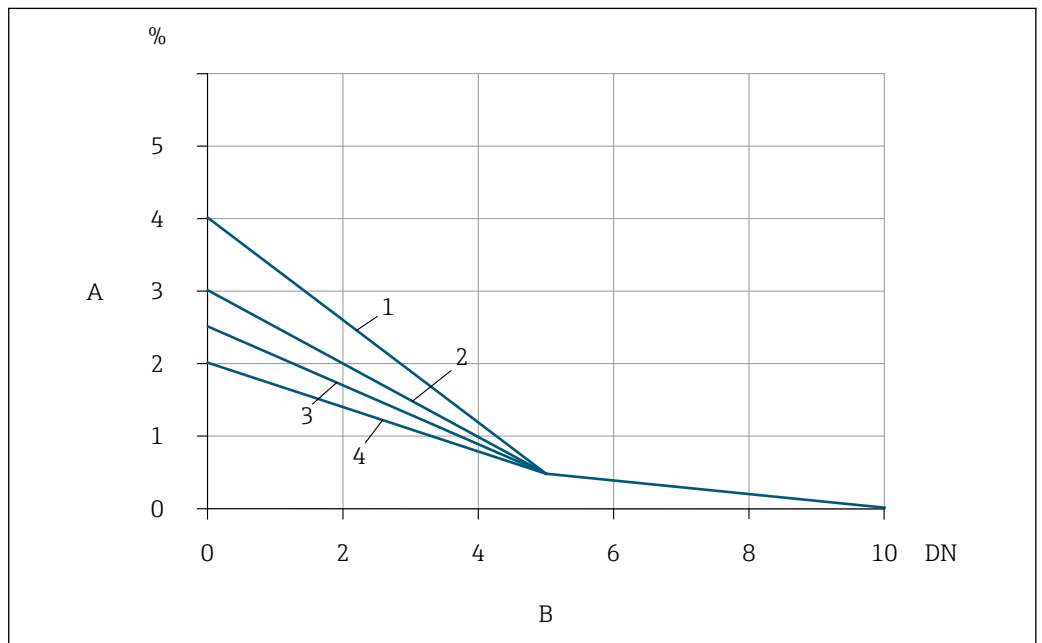


A0039424

22 Recommended inlet and outlet runs when using a flow conditioner

1 Flow conditioner

i In the case of bidirectional sensors, also observe the inlet run in the opposite direction.



A0039508

23 The additional measured error to be expected with flow conditioners depending on the disturbance type and inlet run

- A Additional measured error (%)
- B Inlet runs upstream of the flow conditioner (DN)
- 1 2 × 90° elbow, 3-dimensional
- 2 Expansion
- 3 2 × 90° elbow
- 4 Reduction or 90° elbow

The pressure loss for flow conditioners is calculated as follows: $\Delta p \text{ [mbar]} = 0.0085 \cdot \rho \text{ [kg/m}^3\text{]} \cdot v^2 \text{ [m/s]}$

Example of air

$p = 10 \text{ bar abs.}$

$t = 25 \text{ }^\circ\text{C} \rightarrow \rho = 11.71 \text{ kg/m}^3$

$v = 10 \text{ m/s}$

$\Delta p = 0.0085 \cdot 11.71 \cdot 10^2 = 9.95 \text{ mbar}$

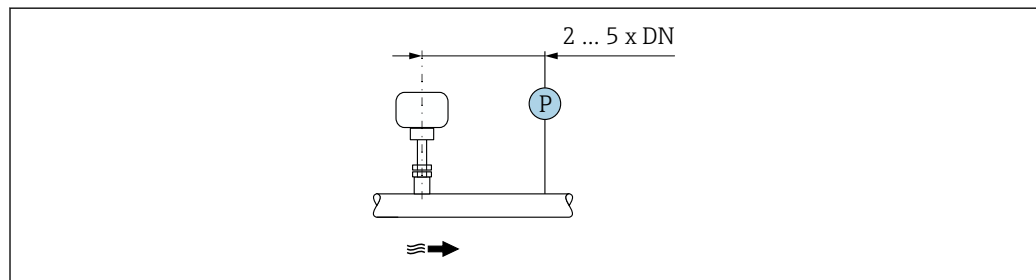
ρ : density of the process medium

v : average flow velocity

abs. = absolute

Outlet runs with pressure measuring points

Install the pressure measuring point downstream of the measuring system. This prevents the pressure transmitter from potentially affecting the flow in the measuring point.



A0039447

24 Installation of a pressure measuring point (P = pressure transmitter)

Environment

Ambient temperature range	Measuring device	<ul style="list-style-type: none"> ■ -40 to +60 °C (-40 to +140 °F) ■ Order code for "Test, certificate", option JP: -50 to +60 °C (-58 to +140 °F)
	Readability of the local display	<p>-20 to +60 °C (-4 to +140 °F)</p> <p>The readability of the display may be impaired at temperatures outside the temperature range.</p>

NOTICE

Danger of overheating


- ▶ Ensure that the temperature at the lower end of the transmitter housing does not exceed 80 °C (176 °F).
- ▶ Ensure that sufficient convection takes place at the transmitter neck.
- ▶ When using in potentially explosive atmospheres, observe the information in the device-specific Ex documentation. For detailed information on the temperature tables, see the separate document entitled "Safety Instructions" (XA) for the device.
- ▶ Ensure that a sufficiently large area of the transmitter neck remains exposed. The uncovered part serves as a radiator and protects the electronics from overheating and excessive cooling.

- ▶ If operating outdoors:
Avoid direct sunlight, particularly in warm climatic regions.

 You can order a weather protection cover from Endress+Hauser →  77.

Storage temperature	-50 to +80 °C (-58 to +176 °F), preferably at +20 °C (+68 °F)
----------------------------	---

Atmosphere	If a plastic transmitter housing is permanently exposed to certain steam and air mixtures, this can damage the housing.
-------------------	---

 In cases of doubt, please contact the Sales Center.

Degree of protection	Transmitter
	<ul style="list-style-type: none"> ■ IP66/67, Type 4X enclosure, suitable for pollution degree 4 ■ When the housing is open: IP20, Type 1 enclosure, suitable for pollution degree 2 ■ Display module: IP20, Type 1 enclosure, suitable for pollution degree 2
	Optional
	Order code for "Sensor options", option CC "IP68, Type 6P, Cust-potted"
	External WLAN antenna
	IP67

Vibration- and shock-resistance	Vibration sinusoidal, in accordance with IEC 60068-2-6
	<ul style="list-style-type: none"> ■ 2 to 8.4 Hz, 3.5 mm peak ■ 8.4 to 2 000 Hz, 1 g peak
	Vibration broad-band random, according to IEC 60068-2-64
	<ul style="list-style-type: none"> ■ 10 to 200 Hz, 0.003 g²/Hz ■ 200 to 2 000 Hz, 0.001 g²/Hz ■ Total: 1.54 g rms
	Shock half-sine, according to IEC 60068-2-27
	6 ms 30 g
	Rough handling shocks according to IEC 60068-2-31

Interior cleaning	Suitable for cleaning-in-place (CIP) and sterilization-in-place (SIP).
--------------------------	--

Manufacturer options for delivery of parts

- Oil- and grease-free wetted parts, no declaration. Order code for "Service", option HA.
- Oil- and grease-free wetted parts as per IEC/TR 60877-2.0 and BOC 50000810-4, with declaration. Order code for "Service", option HB. The plant operator must ensure that the measuring device meets the requirements of the operator's oxygen application.

Electromagnetic compatibility (EMC)

As per IEC/EN 61326 and NAMUR Recommendation 21 (NE 21)



Details are provided in the Declaration of Conformity.



This unit is not intended for use in residential environments and cannot guarantee adequate protection of the radio reception in such environments.



Process

Medium temperature range


Sensor
-40 to +180 °C (-40 to +356 °F)

Seals

- Sealing rings:
 - EPDM -40 to +140 °C (-40 to +284 °F)
 - FKM -40 to +180 °C (-40 to +356 °F)
- Ferrule:
 - PEEK -40 to +140 °C (-40 to +284 °F)
 - PVDF -20 to +110 °C (-4 to +230 °F)
 - 1.4404 -40 to +180 °C (-40 to +356 °F)

 Ferrule in 1.4404: ferrule has a fixed position on the shaft. Restriction for repeat calibrations (observe minimum insertion depth →  36)

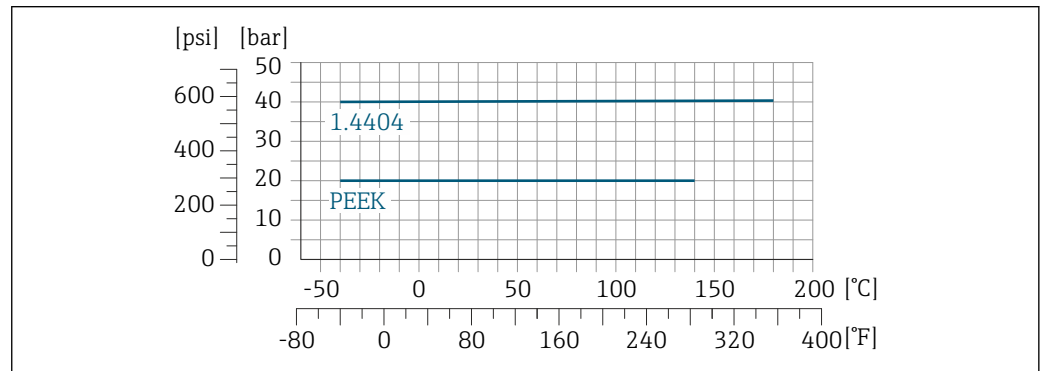
Medium pressure range

Minimum 0.5 bar absolute. Maximum permitted medium pressure →  45

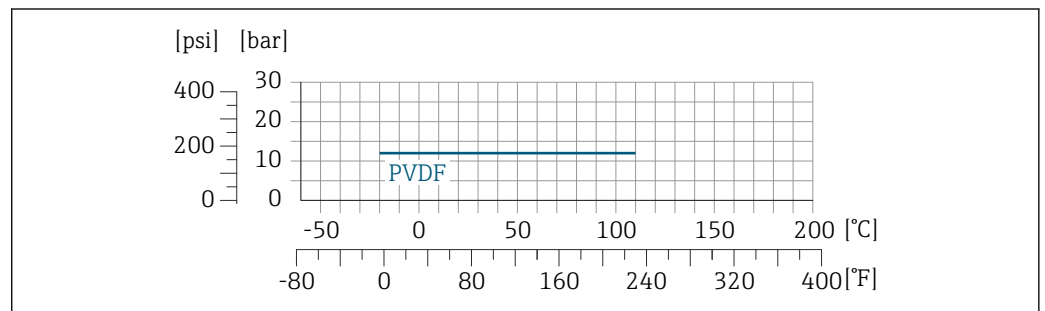
Pressure/temperature ratings

The following pressure/temperature diagrams apply to all pressure-bearing parts of the device and not just the process connection. The diagrams show the maximum permissible medium pressure depending on the specific medium temperature.

Ferrule





 25 With compression fitting material 1.4404/F316L/F316



 26 With compression fitting material 1.4404/F316L/F316

Flow limit

 Measuring range →  11

The maximum flow depends on the gas type and the pipe nominal diameter used. The end of the measuring range is reached when the Mach number listed below is reached.

Mach number	Order code
0.2	<ul style="list-style-type: none"> ▪ Order code for "Sensor version; sensor; insertion tube.", option SB "Bidirectional; stainless steel; stainless steel" ▪ Order code for "Sensor version; sensor; insertion tube.", option SC "Reverse flow detection; stainless steel; stainless steel"
0.4	<ul style="list-style-type: none"> ▪ Order code for "Sensor version; sensor; insertion tube.", option SA "Unidirectional; stainless steel; stainless steel" ▪ Order code for "Sensor version; sensor; insertion tube.", option HA "Unidirectional; Alloy; stainless steel"

 Use the Applicator to size the device.

Pressure loss

 Use the Applicator for precise calculations.

Thermal insulation

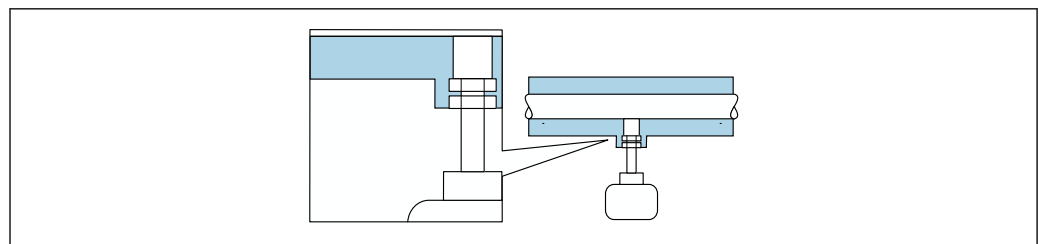
In the case of some fluids, it is important to keep the heat radiated from the sensor to the transmitter to a low level. A wide range of materials can be used for the required insulation.

If the gas is very wet or saturated with water (e.g. digester gas), the pipe and the sensor housing should be insulated, and heated where necessary, to prevent water droplets condensing on the sensing element.


NOTICE

Electronics overheating on account of thermal insulation!

- ▶ Recommended orientation: horizontal orientation, transmitter housing pointing downwards.
- ▶ Do not insulate the transmitter housing .
- ▶ Maximum permissible temperature at the lower end of the transmitter housing: 80 °C (176 °F)
- ▶ Thermal insulation with not isolated extended neck: We recommend that you do not insulate the extended neck in order to ensure optimum dissipation of heat.



A0039420

 27 Thermal insulation with not isolated extended neck

Heating

Some fluids require suitable measures to avoid loss of heat at the sensor.

Heating options

- Electrical heating, e.g. with electric band heaters
- Via pipes carrying hot water or steam

NOTICE

Electronics overheating on account of thermal insulation!

- ▶ Recommended orientation: horizontal orientation, transmitter housing pointing downwards.
- ▶ Do not insulate the transmitter housing .
- ▶ Maximum permissible temperature at the lower end of the transmitter housing: 80 °C (176 °F)
- ▶ Thermal insulation with extended neck free: We recommend that you do not insulate the extended neck in order to ensure optimum dissipation of heat.

NOTICE

Danger of overheating when heating

- ▶ Ensure that the temperature at the lower end of the transmitter housing does not exceed 80 °C (176 °F).
- ▶ Ensure that sufficient convection takes place at the transmitter neck.
- ▶ When using in potentially explosive atmospheres, observe the information in the device-specific Ex documentation. For detailed information on the temperature tables, see the separate document entitled "Safety Instructions" (XA) for the device.
- ▶ Ensure that a sufficiently large area of the transmitter neck remains exposed. The uncovered part serves as a radiator and protects the electronics from overheating and excessive cooling.

Hot tap, process pressure

Only use the hot tap for mounting and removal at process pressure for non-toxic, innocuous gases.

Medium pressure version

- Max. process pressure: 20 bar (290 psi)
- Max. extraction pressure: 16 bar (230 psi)
- Max. extraction temperature: +50 °C (+122 °F)
- Min. insertion sensor length: 435mm (17")

Low pressure version

- Max. process pressure: 20 bar (290 psi)
- Max. extraction pressure: 4.5 bar (65 psi)
- Max. extraction temperature: +50 °C (+122 °F)
- Min. insertion sensor length: 335mm (13")

Cold tap, ambient pressure

Cold tap for mounting and removal at ambient pressure.

- Max. process pressure: 20 bar (290 psi)
- Max. extraction pressure: 1 bar (14.5 psi)
- Max. extraction temperature: +50 °C (+122 °F)
- Min. insertion sensor length: 335mm (13")

Mounting boss

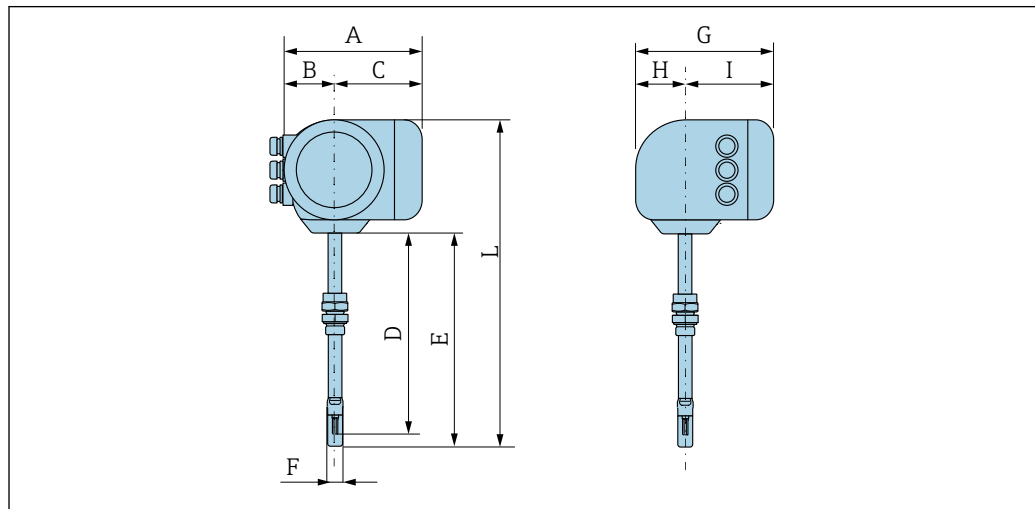
To mount the device directly on the process pipe.

Max. process pressure: 40 bar (580 psi)

Mechanical construction

Dimensions in SI units

Compact version



Order code for "Housing", option A "Aluminum, coated"

A ¹⁾ [mm]	B ¹⁾ [mm]	C [mm]	G ²⁾ [mm]	H [mm]	I ²⁾ [mm]
169	68	101	200	59	141

- 1) Depending on the cable gland used: values up to + 30 mm
- 2) For version without local display: values - 30 mm

Order code for "Housing", option A "Aluminum, coated"; Ex d or XP

A ¹⁾ [mm]	B [mm]	C [mm]	G ²⁾ [mm]	H [mm]	I [mm]
188	85	103	217	58	148

- 1) Depending on the cable gland used: values up to + 30 mm
- 2) For version without local display: values - 49 mm

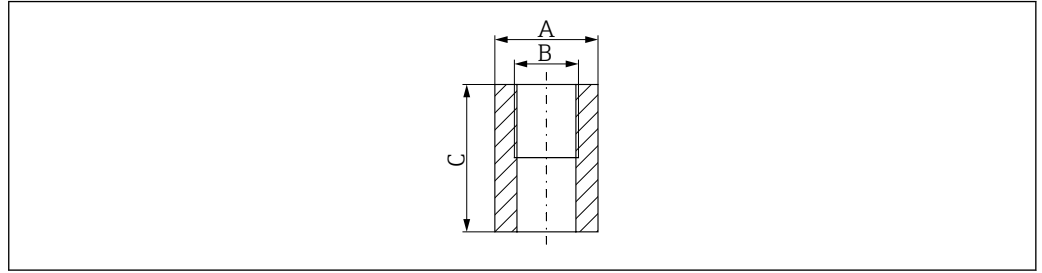
Sensor with order code for "Housing", option A "Aluminum, coated"

Installed length [mm]	D [mm]	E [mm]	F [mm]	L ¹⁾ [mm]
235	281	298	22.4	483
335	381	398	22.4	583
435	481	498	22.4	683
608	652	669	22.4	854

- 1) For Ex d or XP versions: values + 4 mm

Accessories

Welding socket



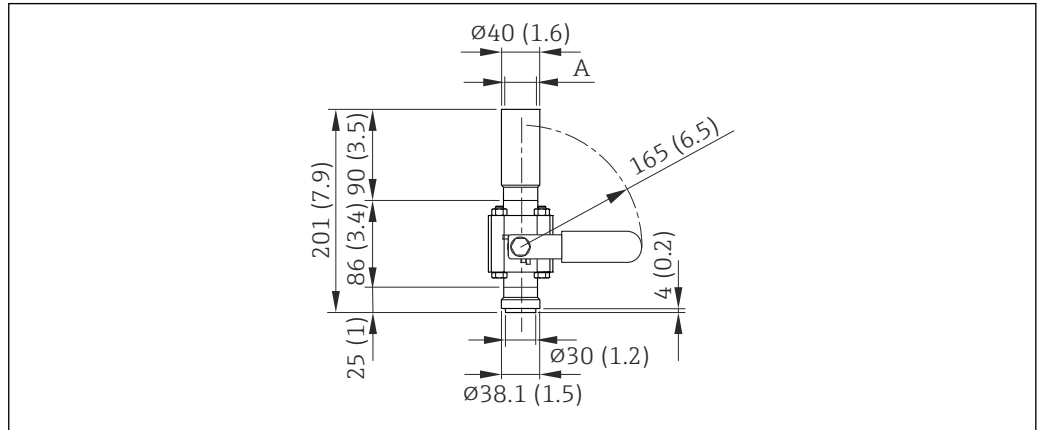
A0041333

- A 45 mm
- B Order code for "Accessory enclosed", option "Welding socket"
- C 60 mm

Order code for "Accessory enclosed":

- Option PC "Welding socket G 1"
- Option PD "Welding socket 1" NPT"
- Option PE "Welding socket G 3/4"
- Option PF "Welding socket 3/4" NPT"

Cold tap, ambient pressure



A0042224

28 Dimensions: mm (in)

- A Order code for "Accessory enclosed", option "Welding socket"

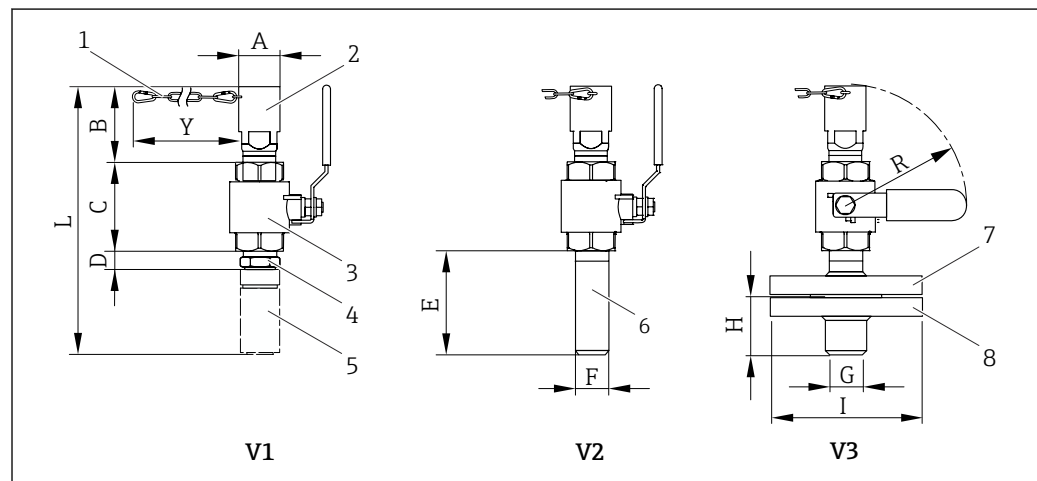
Order code for "Accessory enclosed":

- Option PR "Cold tap G 1", ambient pressure"
- Option PS "Cold tap 1" NPT, ambient pressure"
- Option PT "Cold tap G 3/4", ambient pressure"
- Option PU "Cold tap 3/4" NPT, ambient pressure"

Cold/hot tap, process pressure

Low-pressure version

- i** Available for order as:
 - Order code for "Accessory enclosed"
 - Option PG "Cold/hot tap G 1", low pressure = 4.5 bar/65 psig"
 - Option PH "Cold/hot tap 1" NPT, low pressure = 4.5 bar/65 psig"
 - Option PK "Cold/hot tap G ¾", low pressure = 4.5 bar/65 psig"
 - Option PL "Cold/hot tap ¾" NPT, low pressure = 4.5 bar/65 psig"
 - The low-pressure version as "Accessory enclosed" comprises: V2 → 29, 50
 - Can be ordered separately as "Accessories": DK6003 → 78
 - Versions V1, V2 and V3 can be ordered via DK6003
- i** Can only be used with the following installed lengths:
 - Order code for "Installed length", option L2 "335mm (13)"
 - Order code for "Installed length", option L3 "435mm (17)"
 - Order code for "Installed length", option L4 "608mm (24)"
 - Cannot be used with 1.4404 clamping ring. Maximum temperature is limited (140°C for PEEK and 110°C for PVDF)



A0041359

29 Versions available for order

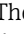
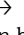
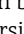

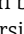

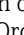
- 1 Safety chain for low-pressure version
- 2 Sensor connection
- 3 Ball valve
- 4 Retrofit adapter (for subsequent installation with existing welding socket (DK6MB))
- 5 Welding socket (DK6MB) only G1"/1" NPT
- 6 Process connection welding socket
- 7 Flange adapter
- 8 Process connection flange
- V1 Version with retrofit adapter
- V2 Version with welding socket
- V3 Version with flange

A [mm]	B [mm]	C [mm]	D [mm]	E [mm]	F [mm]	G [mm]	H [mm]	I [mm]	L [mm]	R [mm]	Y ¹⁾ [mm]
41.4	~85	88	~30	95	33.4	33.4	54	108 to 125	~268	165	620

1) Safety chain (for p ≤ 4.5 bar) only in conjunction with low-pressure version

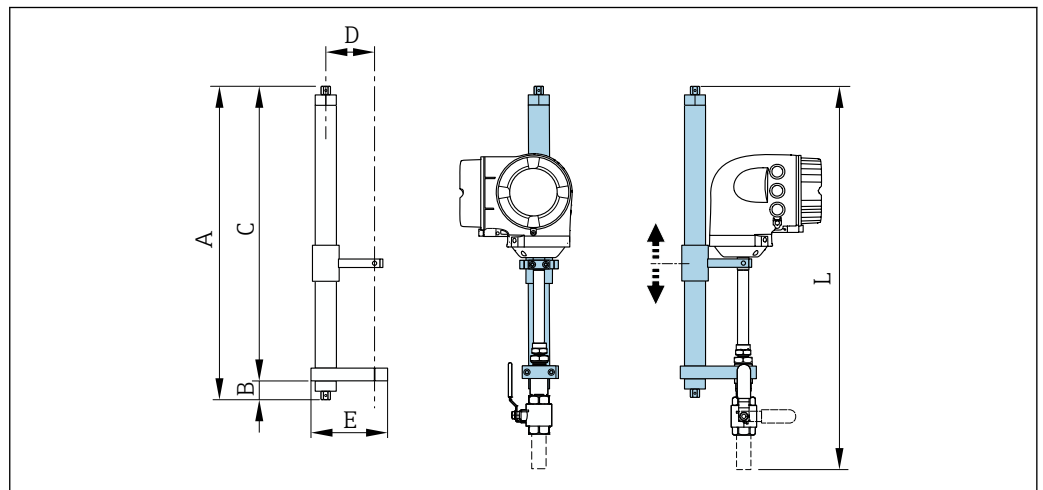
Weight [kg]		
V1	V2	V3
2.8	2.4	4.9

Medium-pressure version


- i** Available for order as:
 - Order code for "Accessory enclosed"
 - Option PI "Cold/hot tap G 1", medium pressure = 16 bar/230 psig
 - Option PJ "Cold/hot tap 1" NPT, medium pressure = 16 bar/230 psig
 - Option PM "Cold/hot tap G ¾", medium pressure = 16 bar/230 psig
 - Option PN "Cold/hot tap ¾" NPT, medium pressure = 16 bar/230 psig
 - The medium-pressure version comprises: V2 →  29,  50 and extractor assembly →  30,  51
 - Can be ordered separately as "Accessories": DK6003 →  78
 - Versions V1, V2 and V3 →  29,  50 can be ordered via DK6003
- i**
 - Can only be used with the following installed lengths:
 - Order code for "Installed length", option L3 "435mm (17")"
 - Order code for "Installed length", option L4 "608mm (24")"
 - Cannot be used with 1.4404 clamping ring. Maximum temperature is limited (140°C for PEEK and 110°C for PVDF)

Extractor assembly for medium-pressure version

- i** Order code for "Accessory enclosed":
 - Option PI "Cold/hot tap G 1", medium pressure maximum 16 bar/230 psig
 - Option PJ "Cold/hot tap 1" NPT, medium pressure maximum 16 bar/230 psig
 - Option PM "Cold/hot tap G ¾", medium pressure maximum 16 bar/230 psig
 - Option PN "Cold/hot tap ¾" NPT, medium pressure maximum 16 bar/230 psig

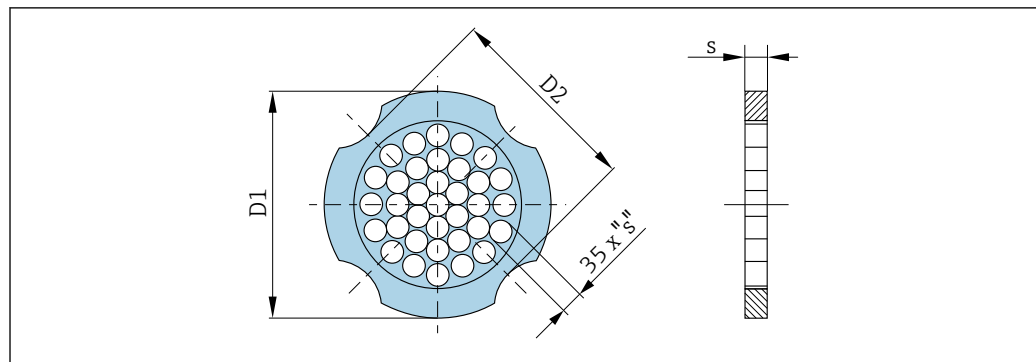


A0039549

 30 Extractor assembly

L [mm]	A [mm]	B [mm]	C [mm]	D [mm]	E [mm]	Weight [kg]
930	740	40	700	120	180	8.4

Flow conditioner



A0033504

Used in combination with flanges according to DIN EN 1092-1: PN 10
1.4404 (316, 316L)
Can be ordered separately as "Accessories": DK6004

DN [mm]	Centering diameter [mm]	D1 ¹⁾ /D2 ²⁾	s [mm]
80	145.3	D2	10.1
100	165.3	D2	13.3
150	221.0	D2	20.0
200	274.0	D1	26.3
250	330.0	D2	33.0
300	380.0	D2	39.6

- 1) The flow conditioner is fitted at the outer diameter between the bolts.
- 2) The flow conditioner is fitted at the indentations between the bolts.

Used in combination with flanges according to DIN EN 1092-1: PN 16
1.4404 (316, 316L)
Can be ordered separately as "Accessories": DK6004

DN [mm]	Centering diameter [mm]	D1 ¹⁾ /D2 ²⁾	s [mm]
80	145.3	D2	10.1
100	165.3	D2	13.3
150	221.0	D2	20.0
200	274.0	D2	26.3
250	330.0	D2	33.0
300	380.0	D2	39.6

- 1) The flow conditioner is fitted at the outer diameter between the bolts.
- 2) The flow conditioner is fitted at the indentations between the bolts.

Used in combination with flanges according to DIN EN 1092-1: PN 25
1.4404 (316, 316L)
Can be ordered separately as "Accessories": DK6004

DN [mm]	Centering diameter [mm]	D1 ¹⁾ /D2 ²⁾	s [mm]
80	145.3	D2	10.1
100	171.3	D1	13.3
150	227.0	D2	20.0

Used in combination with flanges according to DIN EN 1092-1: PN 25 1.4404 (316, 316L) Can be ordered separately as "Accessories": DK6004			
DN [mm]	Centering diameter [mm]	D1 ¹⁾ /D2 ²⁾	s [mm]
200	280.0	D1	26.3
250	340.0	D1	33.0
300	404.0	D1	39.6

- 1) The flow conditioner is fitted at the outer diameter between the bolts.
- 2) The flow conditioner is fitted at the indentations between the bolts.

Used in combination with flanges according to DIN EN 1092-1: PN 40 1.4404 (316, 316L) Can be ordered separately as "Accessories": DK6004			
DN [mm]	Centering diameter [mm]	D1 ¹⁾ /D2 ²⁾	s [mm]
80	145.3	D2	10.1
100	171.3	D1	13.3
150	227.0	D2	20.0
200	294.0	D2	26.3
250	355.0	D2	33.0
300	420.0	D1	39.6

- 1) The flow conditioner is fitted at the outer diameter between the bolts.
- 2) The flow conditioner is fitted at the indentations between the bolts.

Used in combination with flanges according to ASME B16.5: Class 150 1.4404 (316, 316L) Can be ordered separately as "Accessories": DK6004			
DN [mm]	Centering diameter [mm]	D1 ¹⁾ /D2 ²⁾	s [mm]
80	138.4	D1	10.1
100	176.5	D2	13.3
150	223.5	D1	20.0
200	274.0	D2	26.3
250	340.0	D1	33.0
300	404.0	D1	39.6

- 1) The flow conditioner is fitted at the outer diameter between the bolts.
- 2) The flow conditioner is fitted at the indentations between the bolts.

Used in combination with flanges according to ASME B16.5: Class 300 1.4404 (316, 316L) Can be ordered separately as "Accessories": DK6004			
DN [mm]	Centering diameter [mm]	D1 ¹⁾ /D2 ²⁾	s [mm]
80	151.3	D1	10.1
100	182.6	D1	13.3
150	252.0	D1	20.0
200	309.0	D1	26.3

Used in combination with flanges according to ASME B16.5: Class 300 1.4404 (316, 316L) Can be ordered separately as "Accessories": DK6004			
DN [mm]	Centering diameter [mm]	D1 ¹⁾ /D2 ²⁾	s [mm]
250	363.0	D1	33.0
300	402.0	D1	39.6

- 1) The flow conditioner is fitted at the outer diameter between the bolts.
- 2) The flow conditioner is fitted at the indentations between the bolts.

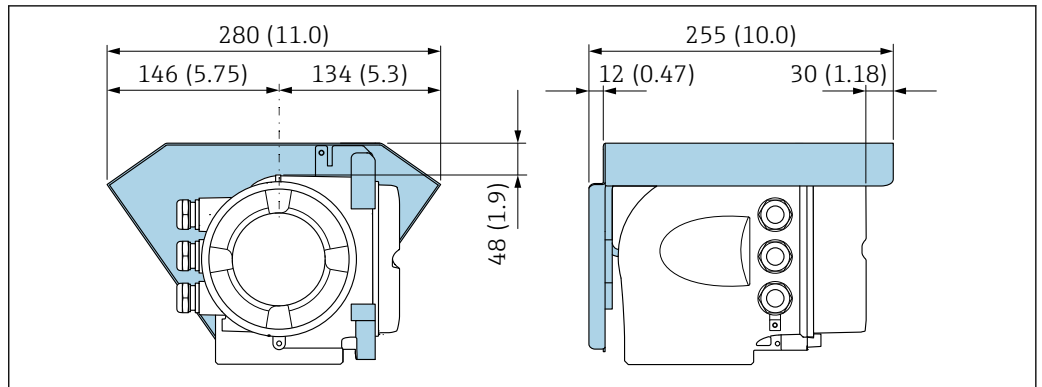
Used in combination with flanges according to JIS B2220: 10K 1.4404 (316, 316L) Can be ordered separately as "Accessories": DK6004			
DN [mm]	Centering diameter [mm]	D1 ¹⁾ /D2 ²⁾	s [mm]
80	136.3	D2	10.1
100	161.3	D2	13.3
150	221.0	D2	20.0
200	271.0	D2	26.3
250	330.0	D2	33.0
300	380.0	D2	39.6

- 1) The flow conditioner is fitted at the outer diameter between the bolts.
- 2) The flow conditioner is fitted at the indentations between the bolts.

Used in combination with flanges according to JIS B2220: 20K 1.4404 (316, 316L) Can be ordered separately as "Accessories": DK6004			
DN [mm]	Centering diameter [mm]	D1 ¹⁾ /D2 ²⁾	s [mm]
80	142.3	D1	10.1
100	167.3	D1	13.3
150	240.0	D1	20.0
200	284.0	D1	26.3
250	355.0	D2	33.0
300	404.0	D1	39.6

- 1) The flow conditioner is fitted at the outer diameter between the bolts.
- 2) The flow conditioner is fitted at the indentations between the bolts.

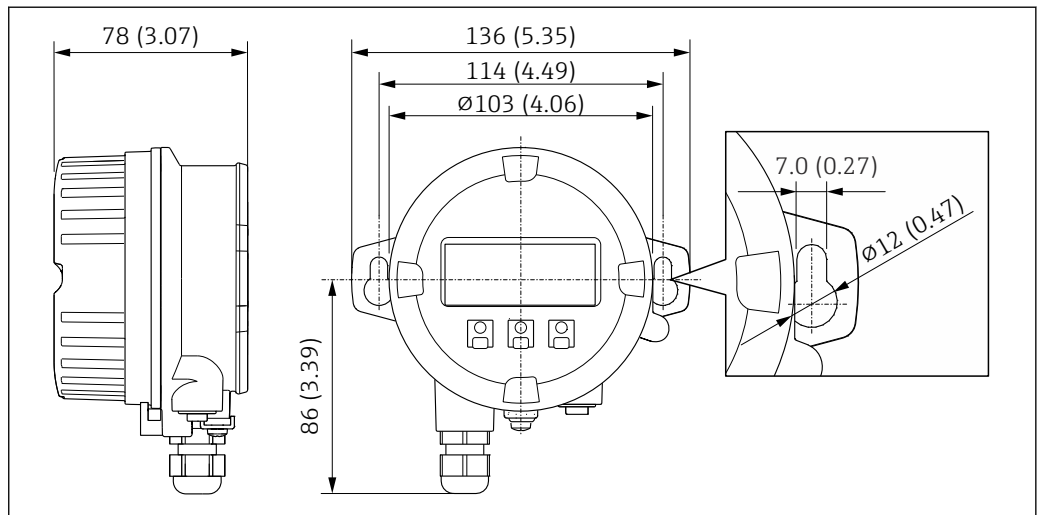
Weather protection cover



A0029553

31 Engineering unit mm (in)

Remote display and operating module DKX001

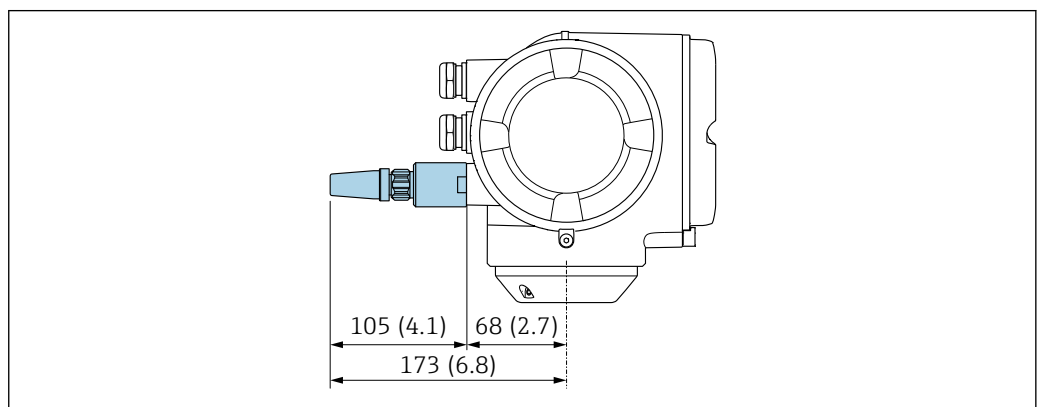


A0028921

32 Engineering unit mm (in)

External WLAN antenna

External WLAN antenna mounted on device

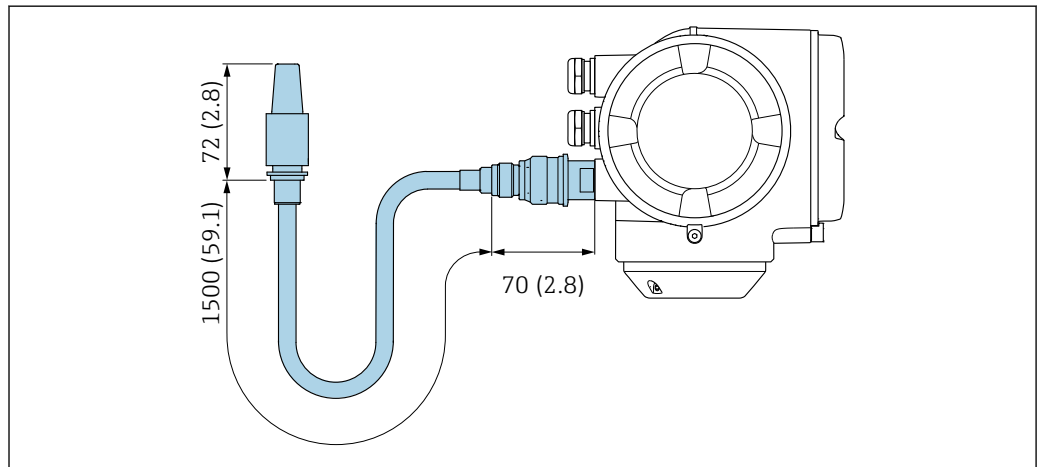


A0028923

33 Engineering unit mm (in)

External WLAN antenna mounted with cable

The external WLAN antenna can be mounted separately from the transmitter if the transmission/reception conditions at the transmitter mounting location are poor.

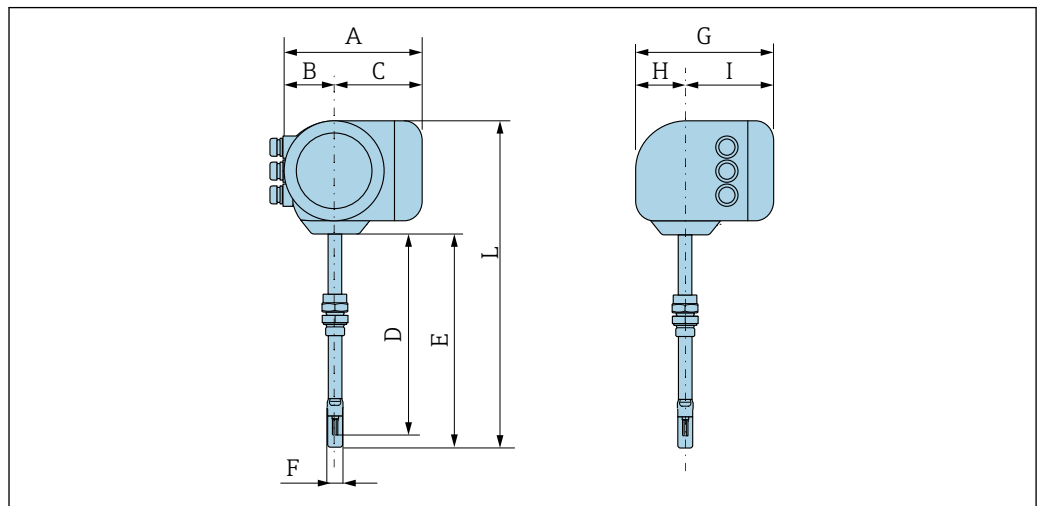


A0033597

34 Engineering unit mm (in)

Dimensions in US units

Compact version



A0041075

Order code for "Housing", option A "Aluminum, coated"

A ¹⁾ [in]	B ¹⁾ [in]	C [in]	G ²⁾ [in]	H [in]	I ²⁾ [in]
6.65	2.68	3.98	7.87	2.32	5.55

- 1) Depending on the cable gland used: values up to + 1.18 in
- 2) For version without local display: values - 1.18 in

Order code for "Housing", option A "Aluminum, coated"; Ex d or XP

A ¹⁾ [in]	B ¹⁾ [in]	C [in]	G ²⁾ [in]	H [in]	I ²⁾ [in]
7.4	3.35	4.06	8.54	2.28	5.83

- 1) Depending on the cable gland used: values up to + 1.18 in
- 2) For version without local display: values - 1.93 in

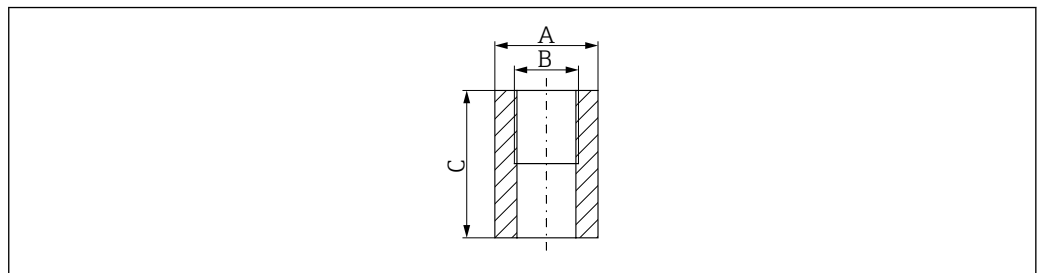
Sensor with order code for "Housing", option A "Aluminum, coated"

Installed length [in]	D [in]	E [in]	F [in]	L ¹⁾ [in]
9	11.06	11.73	0.88	19.02
13	15	15.67	0.88	22.95
17	18.94	19.61	0.88	26.89
24	25.67	26.34	0.88	33.62

1) For Ex d or XP versions: values + 0.16 in

Accessories

Welding socket



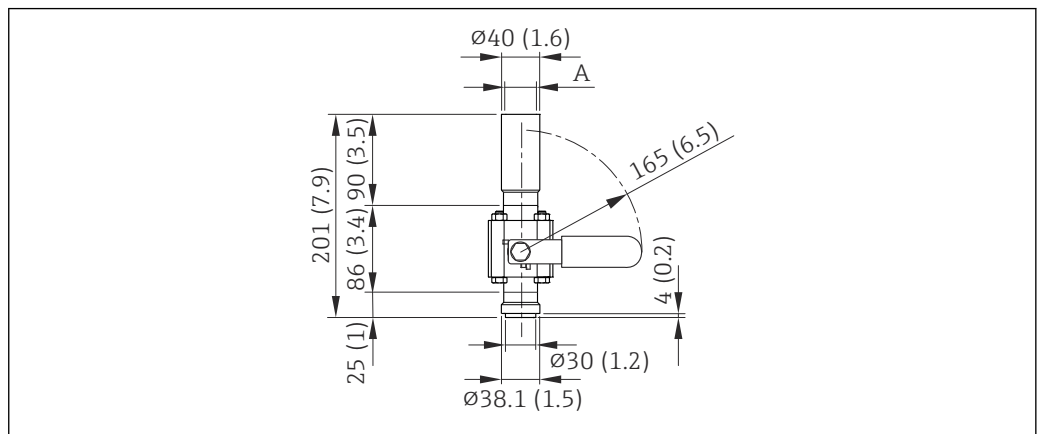
A0041333

- A 1.77 in
- B Order code for "Accessory enclosed", option "Welding socket"
- C 2.36 in

Order code for "Accessory enclosed":

- Option PC "Welding socket G 1"
- Option PD "Welding socket 1" NPT"
- Option PE "Welding socket G 3/4"
- Option PF "Welding socket 3/4" NPT"

Cold tap, ambient pressure



A0042224

35 Dimensions: mm (in)




- A Order code for "Accessory enclosed", option "Welding socket"

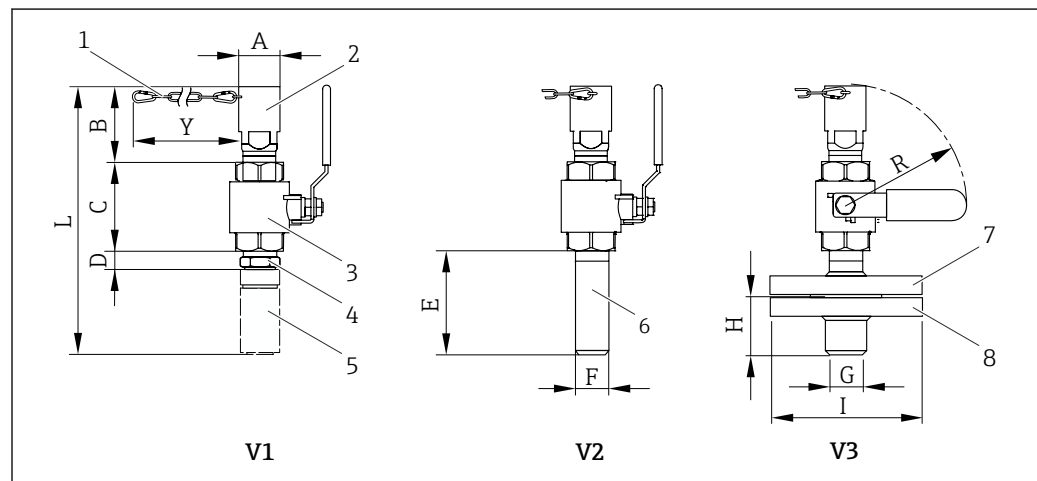
Order code for "Accessory enclosed":

- Option PR "Cold tap G 1, ambient pressure"
- Option PS "Cold tap 1" NPT, ambient pressure"
- Option PT "Cold tap G 3/4, ambient pressure"
- Option PU "Cold tap 3/4" NPT, ambient pressure"


Cold/hot tap, process pressure

Low-pressure version

- i** Available for order as:
 - Order code for "Accessory enclosed"
 - Option PG "Cold/hot tap G 1", low pressure = 4.5 bar/65 psig"
 - Option PH "Cold/hot tap 1" NPT, low pressure = 4.5 bar/65 psig"
 - Option PK "Cold/hot tap G ¾", low pressure = 4.5 bar/65 psig"
 - Option PL "Cold/hot tap ¾" NPT, low pressure = 4.5 bar/65 psig"
 - The low-pressure version as "Accessory enclosed" comprises: V2 →  36,  58
 - Can be ordered separately as "Accessories": DK6003 →  78
 - Versions V1, V2 and V3 can be ordered via DK6003
- i** Can only be used with the following installed lengths:
 - Order code for "Installed length", option L2 "335mm (13)"
 - Order code for "Installed length", option L3 "435mm (17)"
 - Order code for "Installed length", option L4 "608mm (24)"
 - Cannot be used with 1.4404 clamping ring. Maximum temperature is limited (284°F for PEEK and 230°F for PVDF)



A0041359

 36 Versions available for order

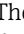
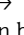

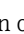

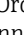

- 1 Safety chain for low-pressure version
- 2 Sensor connection
- 3 Ball valve
- 4 Retrofit adapter (for subsequent installation with existing welding socket (DK6MB))
- 5 Welding socket (DK6MB) only G1"/1" NPT
- 6 Process connection welding socket
- 7 Flange adapter
- 8 Process connection flange
- V1 Version with retrofit adapter
- V2 Version with welding socket
- V3 Version with flange

A [in]	B [in]	C [in]	D [in]	E [in]	F [in]	G [in]	H [in]	I [in]	L [in]	R [in]	Y ¹⁾ [in]
1.67	~3.35	3.46	~1.18	3.74	1.31	1.31	2.13	4.25 to 4.92	~10.6	6.50	24.4

1) Safety chain (for p ≤ 65 psi g) only in conjunction with low-pressure version

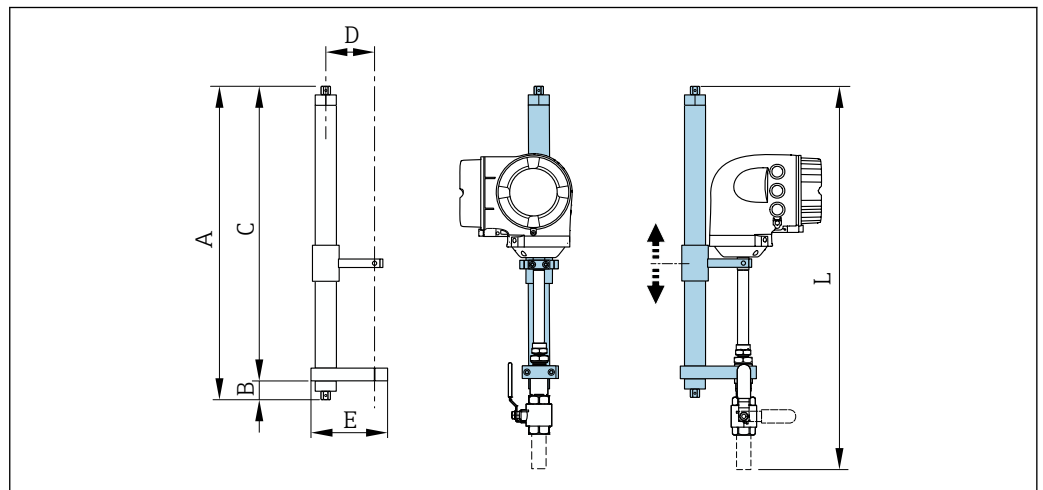
Weight [lbs]		
V1	V2	V3
6	5	11

Medium-pressure version


- i** Available for order as:
 - Order code for "Accessory enclosed"
 - Option PI "Cold/hot tap G 1", medium pressure = 16 bar/230 psig
 - Option PJ "Cold/hot tap 1" NPT, medium pressure = 16 bar/230 psig
 - Option PM "Cold/hot tap G ¾", medium pressure = 16 bar/230 psig
 - Option PN "Cold/hot tap ¾" NPT, medium pressure = 16 bar/230 psig
 - The medium-pressure version comprises: V2 →  36,  58 and extractor assembly →  37,  59
 - Can be ordered separately as "Accessories": DK6003 →  78
 - Versions V1, V2 and V3 →  36,  58 can be ordered via DK6003
- i** Can only be used with the following installed lengths:
 - Order code for "Installed length", option L3 "435mm (17)"
 - Order code for "Installed length", option L4 "608mm (24)"
 - Cannot be used with 1.4404 clamping ring. Maximum temperature is limited (140°C for PEEK and 110°C for PVDF)

Extractor assembly for medium-pressure version

- i** Order code for "Accessory enclosed":
 - Option PI "Cold/hot tap G 1", medium pressure maximum 16 bar/230 psig
 - Option PJ "Cold/hot tap 1" NPT, medium pressure maximum 16 bar/230 psig
 - Option PM "Cold/hot tap G ¾", medium pressure maximum 16 bar/230 psig
 - Option PN "Cold/hot tap ¾" NPT, medium pressure maximum 16 bar/230 psig

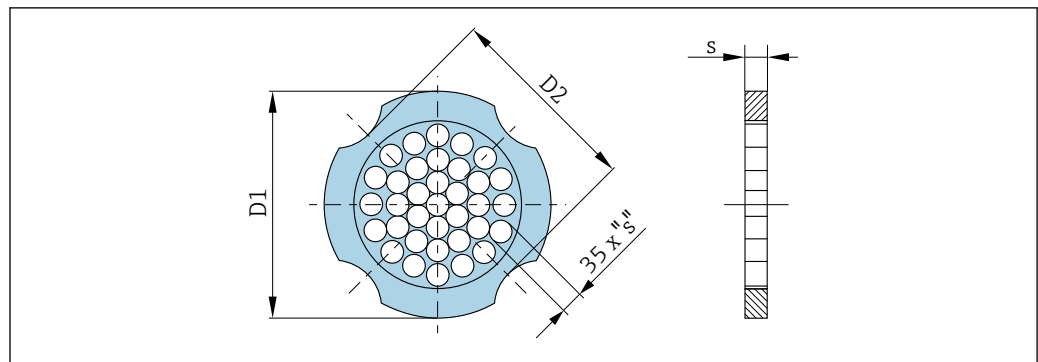


A0039549

 37 Extractor assembly

L [in]	A [in]	B [in]	C [in]	D [in]	E [in]	Weight [lbs]
36.61	29.13	1.57	27.56	4.72	7.09	18.5

Flow conditioner



A0033504

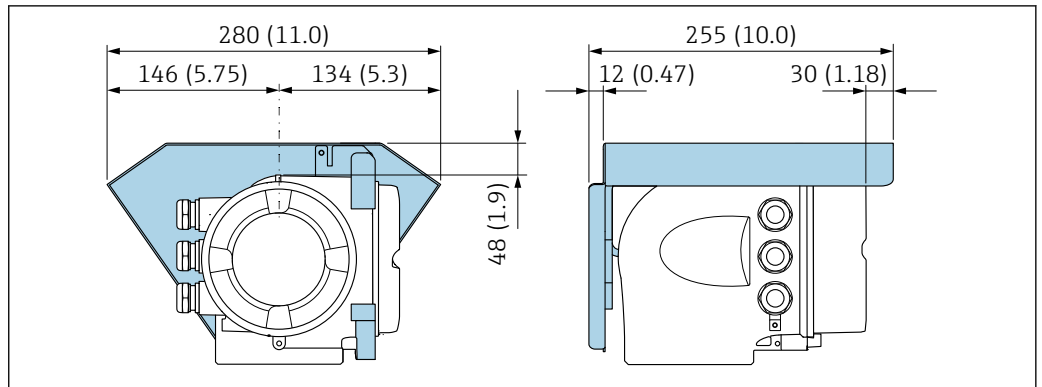
Used in combination with flanges according to ASME B16.5: Class 150 1.4404 (316, 316L) Can be ordered separately as "Accessories": DK6004			
DN [in]	Centering diameter [in]	D1 ¹⁾ /D2 ²⁾	s [in]
3	5.45	D1	0.40
4	6.95	D2	0.52
6	8.81	D1	0.79
8	10.80	D2	1.04
10	13.40	D1	1.30
12	15.90	D1	1.56

- 1) The flow conditioner is fitted at the outer diameter between the bolts.
- 2) The flow conditioner is fitted at the indentations between the bolts.

Used in combination with flanges according to ASME B16.5: Class 300 1.4404 (316, 316L) Can be ordered separately as "Accessories": DK6004			
DN [in]	Centering diameter [in]	D1 ¹⁾ /D2 ²⁾	s [in]
3	5.96	D1	0.40
4	7.19	D1	0.52
6	9.92	D1	0.79
8	12.20	D1	1.04
10	14.30	D1	1.30
12	15.80	D1	1.56

- 1) The flow conditioner is fitted at the outer diameter between the bolts.
- 2) The flow conditioner is fitted at the indentations between the bolts.

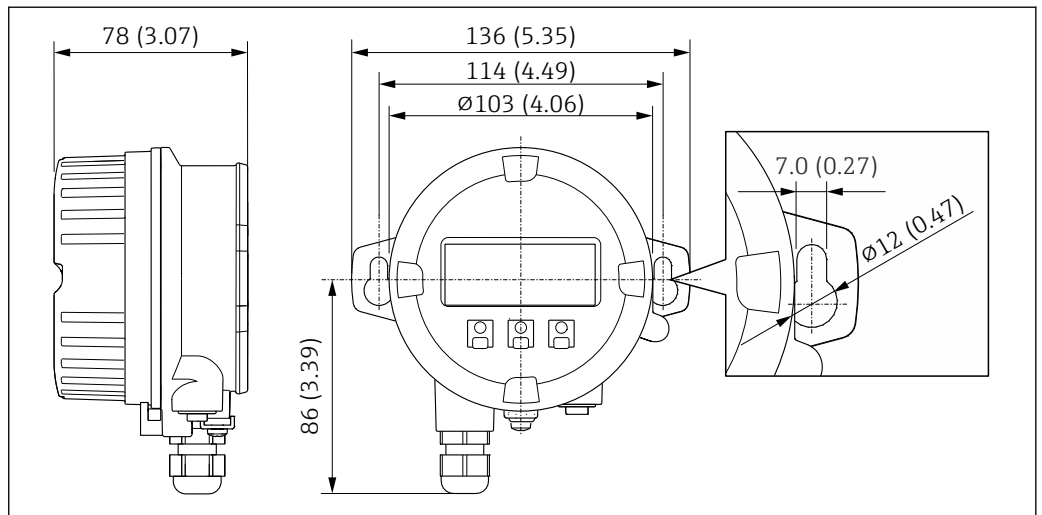
Weather protection cover



A0029553

38 Engineering unit mm (in)

Remote display and operating module DKX001

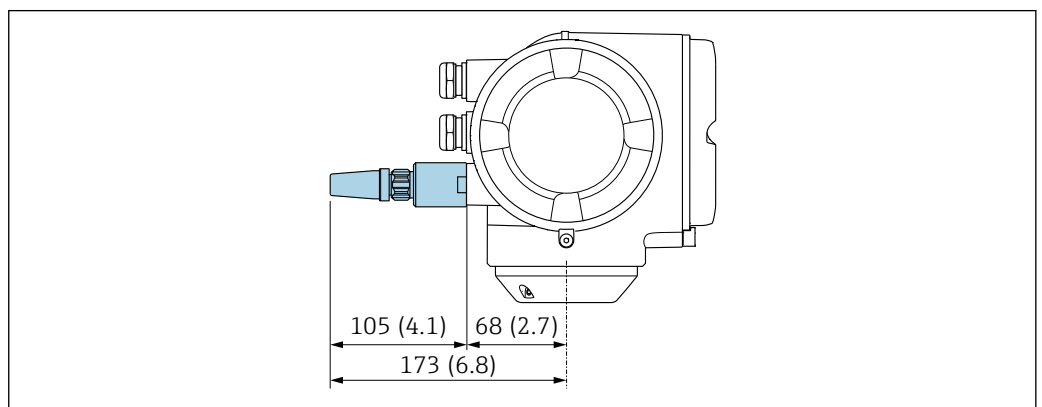


A0028921

39 Engineering unit mm (in)

External WLAN antenna

External WLAN antenna mounted on device

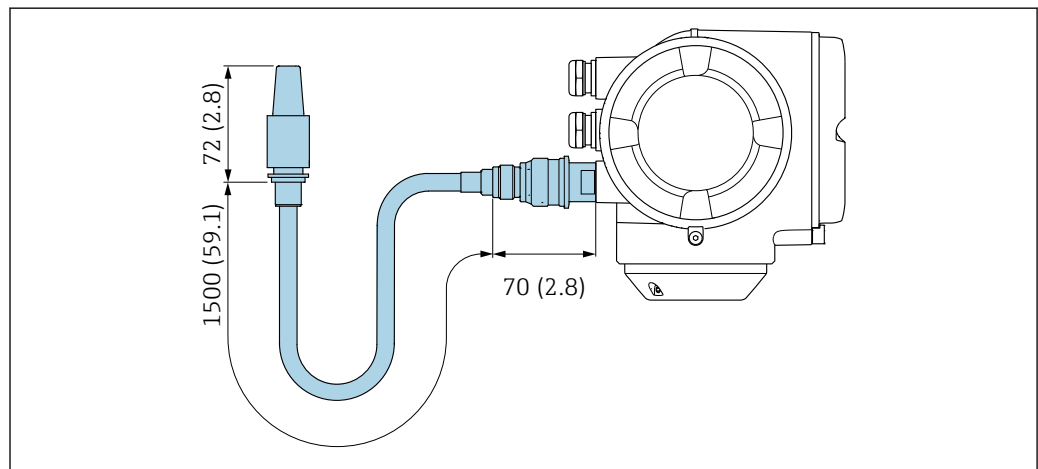


A0028923

40 Engineering unit mm (in)

External WLAN antenna mounted with cable

The external WLAN antenna can be mounted separately from the transmitter if the transmission/reception conditions at the transmitter mounting location are poor.



A0033597

41 Engineering unit mm (in)

Materials

Transmitter housing

Order code for "Housing":

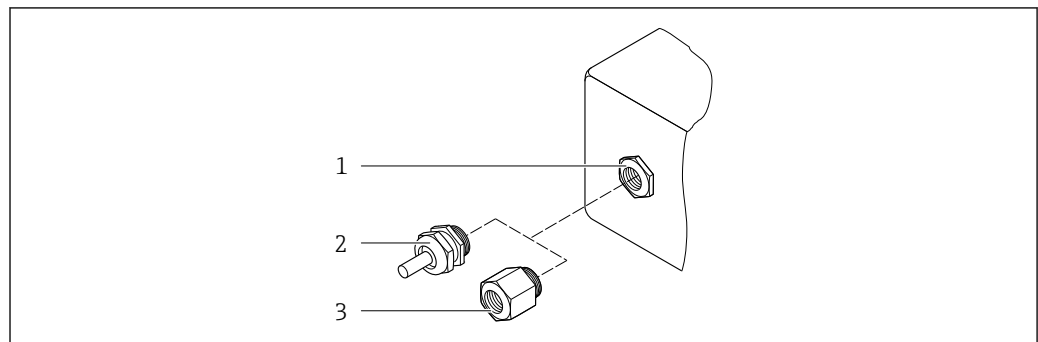
Option A "Aluminum, coated": aluminum, AlSi10Mg, coated

Window material

Order code for "Housing":

Option A "Aluminum, coated": glass

Cable entries/cable glands



A0020640

42 Possible cable entries/cable glands

1 Female thread M20 × 1.5

2 Cable gland M20 × 1.5

3 Adapter for cable entry with female thread G ½" or NPT ½"

Order code for "Housing", option A "Aluminum, coated"

The various cable entries are suitable for hazardous and non-hazardous areas.

Cable entry/cable gland	Material
Compression fitting M20 × 1.5	Non-Ex: plastic
	Z2, D2, Ex d/de: brass with plastic
Adapter for cable entry with female thread G ½"	Nickel-plated brass
Adapter for cable entry with female thread NPT ½"	

Materials for insertion tube

Stainless steel, 1.4404 (316/316L)

Process connections, process coupling

Stainless steel, 1.4404 (316/316L)

Sensing element

Unidirectional

- Stainless steel, 1.4404 (316/316L)
- Alloy C22, 2.4602 (UNS N06022);

Bidirectional

Stainless steel, 1.4404 (316/316L)

Reverse flow detection

Stainless steel, 1.4404 (316/316L)

Ferrules

- PEEK
- PVDF
- 1.4404 (316/316L)

Flat ring seal

- EPDM
- FKM



For aggressive media (e.g. chlorine or ozone), we recommend special materials (Alloy for sensing element, PVDF or 1.4404 for ferrules and FKM for flat seal). For any requests, please contact the Endress+Hauser sales organization responsible for your area.

Sensor guard

Stainless steel, 1.4404 (316/316L)

Accessories

Protective cover

Stainless steel, 1.4404 (316L)

External WLAN antenna

- Antenna: ASA plastic (acrylonitrile styrene acrylate) and nickel-plated brass
- Adapter: Stainless steel and nickel-plated brass
- Cable: Polyethylene
- Plug: Nickel-plated brass
- Angle bracket: Stainless steel

Mounting boss (DK6MB)

Stainless steel, 1.4404 (316/316L)

Cold/hot tap, low pressure and medium pressure

Welding socket

Stainless steel 1.4404 (316L)

Ball valve

- Stainless cast steel CF3M or CF8M
- Seal: PTFE

Sensor connection

Stainless steel, 1.4404 (316/316L)

Cold tap, atmospheric pressure

- Stainless steel, 1.4404 (316/316L)
- Stainless cast steel CF3M or CF8M
- Seal: PTFE

Weight

All values (weight exclusive of packaging material) refer to devices with EN/DIN PN 40 flanges. Weight specifications including transmitter as per order code for "Housing", option A "Aluminum, coated".

Different values due to different transmitter versions:

Transmitter version for the hazardous area

(Order code for "Housing", option A "Aluminum, coated"; Ex d): +2 kg (+4.4 lbs)

Weight in SI units

Installed length [mm]	Weight [kg]
235	4.8
335	4.9
435	5
608	5.1

Weight in US units

Installed length [in]	Weight [lbs]
9	10.6
13	10.8
17	11
24	11.2

Process connections

- G $\frac{3}{4}$ ", ISO 228/1 compression fitting
- G1", ISO 228/1, compression fitting
- $\frac{3}{4}$ " NPT, compression fitting
- 1" NPT, compression fitting



For information on the different materials used in the process connections → 63

Display and user interface

Operation concept

Operator-oriented menu structure for user-specific tasks

- Commissioning
- Operation
- Diagnostics
- Expert level

Fast and safe commissioning

- Guided menus ("Make-it-run" wizards) for applications
- Menu guidance with short explanations of the individual parameter functions
- Access to the device via Web server
- WLAN access to the device via mobile handheld terminal, tablet or smart phone

Reliable operation

- Operation in local language
- Uniform operating philosophy applied to device and operating tools
- If replacing electronic modules, transfer the device configuration via the integrated memory (HistoROM backup) which contains the process and measuring device data and the event logbook. No need to reconfigure.

Efficient diagnostics increase measurement availability

- Troubleshooting measures can be called up via the device and in the operating tools
- Diverse simulation options, logbook for events that occur and optional line recorder functions

Languages

Can be operated in the following languages:

- Via local operation
English, German, French, Spanish, Italian, Dutch, Portuguese, Polish, Russian, Turkish, Chinese, Japanese, Korean, Vietnamese, Czech, Swedish
- Via Web browser
English, German, French, Spanish, Italian, Dutch, Portuguese, Polish, Russian, Turkish, Chinese, Japanese, Vietnamese, Czech, Swedish
- Via "FieldCare", "DeviceCare" operating tool: English, German, French, Spanish, Italian, Chinese, Japanese

Local operation

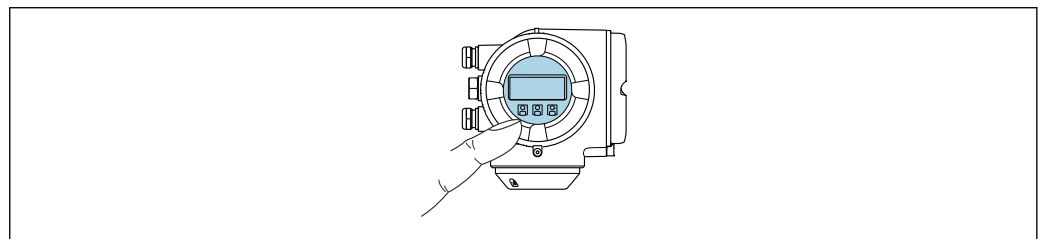
Via display module

Equipment:

- Order code for "Display; operation", option F "4-line, illuminated, graphic display; touch control"
- Order code for "Display; operation", option G "4-line, illuminated, graphic display; touch control + WLAN"



Information about WLAN interface → 68



43 Operation with touch control

Display elements

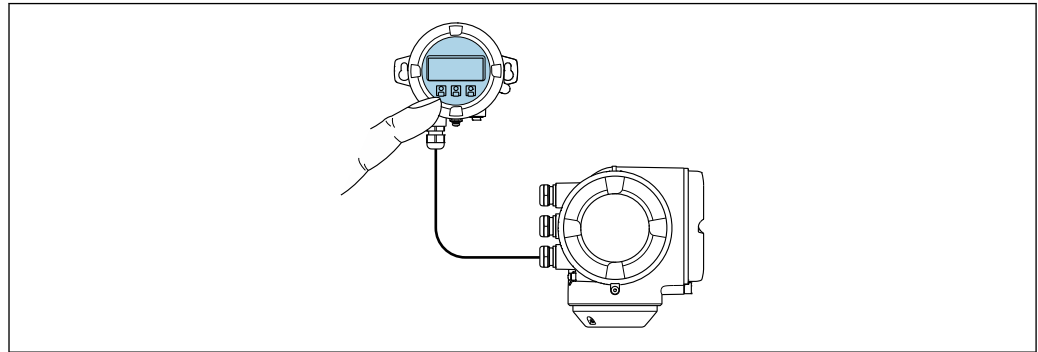
- 4-line, illuminated, graphic display
- White background lighting; switches to red in event of device errors
- Format for displaying measured variables and status variables can be individually configured

Operating elements

- External operation via touch control (3 optical keys) without opening the housing: ⊕, ⊖, ⊞
- Operating elements also accessible in the various zones of the hazardous area

Via remote display and operating module DKX001

- i** The remote display and operating module DKX001 is available as an optional extra → 77.
- The measuring device is always supplied with a dummy cover when the remote display and operating module DKX001 is ordered directly with the measuring device. Display or operation at the transmitter is not possible in this case.
 - If ordered subsequently, the remote display and operating module DKX001 may not be connected at the same time as the existing measuring device display module. Only one display or operation unit may be connected to the transmitter at any one time.



A0026786

44 Operation via remote display and operating module DKX001

Display and operating elements

The display and operating elements correspond to those of the display module → 65.

Housing material

Transmitter housing		Remote display and operating module
Order code for "Housing"	Material	Material
Option A "Aluminum, coated"	AlSi10Mg, coated	AlSi10Mg, coated

Cable entry

Corresponds to the choice of transmitter housing, order code for "Electrical connection".

Connecting cable

→ 32

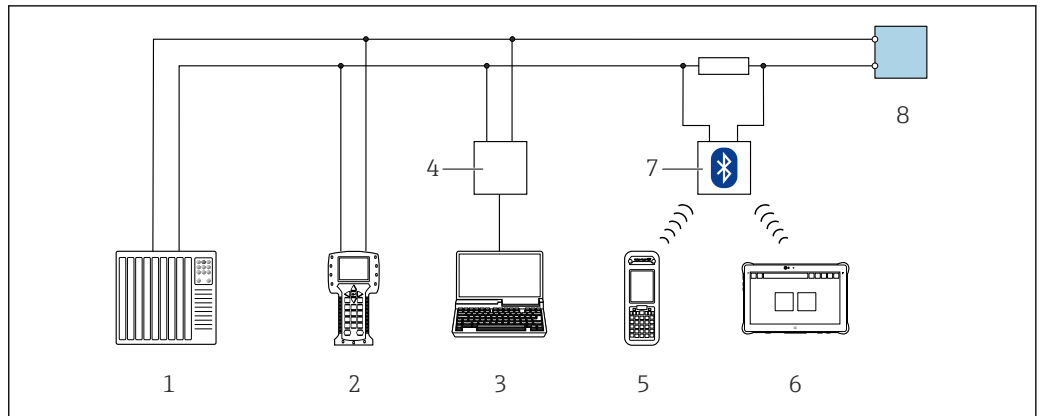
Dimensions

→ 55

Remote operation

Via HART protocol

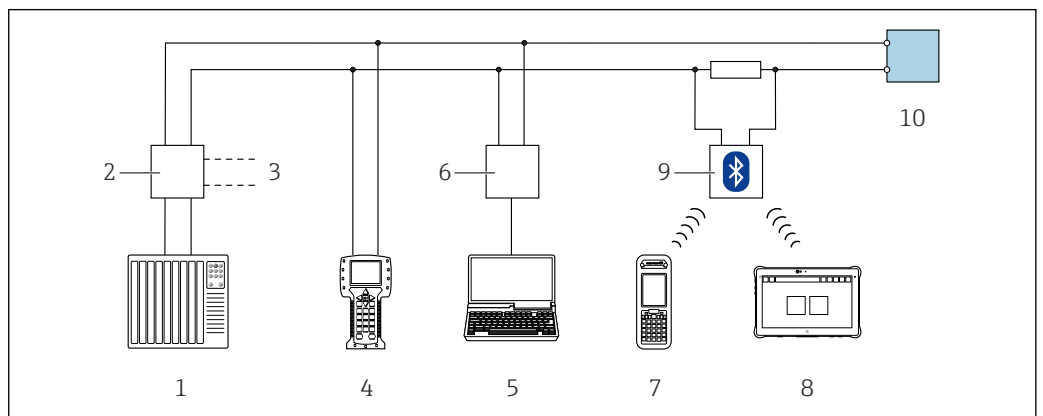
This communication interface is available in device versions with a HART output.



A0028747

45 Options for remote operation via HART protocol (active)

- 1 Control system (e.g. PLC)
- 2 Field Communicator 475
- 3 Computer with web browser (e.g. Microsoft Edge) to access the integrated device web server or computer with operating tool (e.g. FieldCare, DeviceCare, AMS Device Manager, SIMATIC PDM) with COM DTM "CDI Communication TCP/IP"
- 4 Commubox FXA195 (USB)
- 5 Field Xpert SFX350 or SFX370
- 6 Field Xpert SMT70
- 7 VIATOR Bluetooth modem with connecting cable
- 8 Transmitter



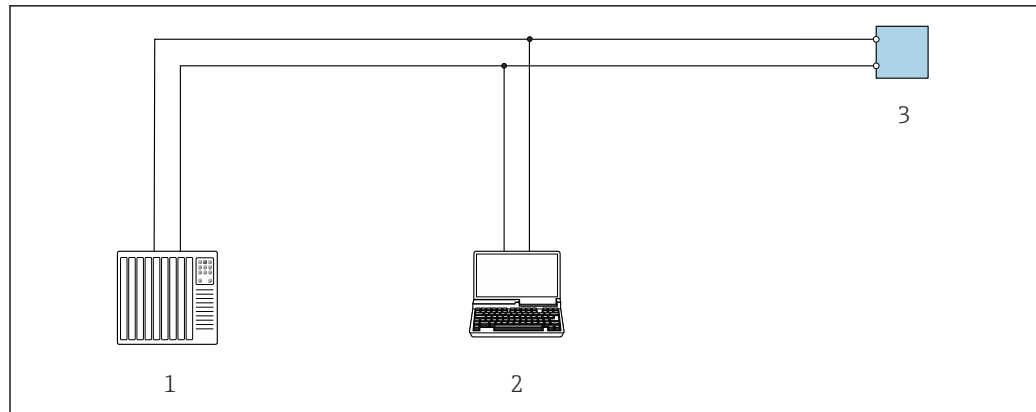
A0028746

46 Options for remote operation via HART protocol (passive)

- 1 Control system (e.g. PLC)
- 2 Transmitter power supply unit, e.g. RN221N (with communication resistor)
- 3 Connection for Commubox FXA195 and Field Communicator 475
- 4 Field Communicator 475
- 5 Computer with web browser (e.g. Microsoft Edge) to access the integrated device web server or computer with operating tool (e.g. FieldCare, DeviceCare, AMS Device Manager, SIMATIC PDM) with COM DTM "CDI Communication TCP/IP"
- 6 Commubox FXA195 (USB)
- 7 Field Xpert SFX350 or SFX370
- 8 Field Xpert SMT70
- 9 VIATOR Bluetooth modem with connecting cable
- 10 Transmitter

Via Modbus RS485 protocol

This communication interface is available in device versions with a Modbus RS485 output.



A0029437

47 Options for remote operation via Modbus RS485 protocol (active)

- 1 Control system (e.g. PLC)
- 2 Computer with web browser (e.g. Microsoft Edge) to access the integrated device web server or with operating tool (e.g. FieldCare, DeviceCare) with COM DTM "CDI Communication TCP/IP" or Modbus DTM
- 3 Transmitter

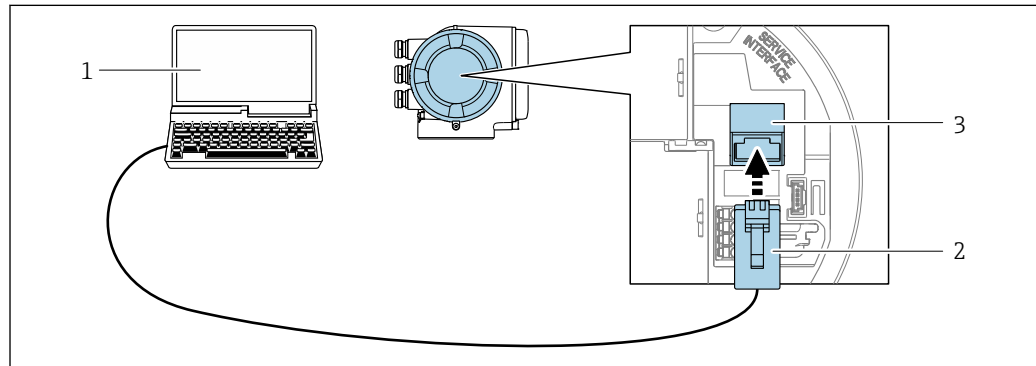
Service interface

Via service interface (CDI-RJ45)

A point-to-point connection can be established to configure the device on site. With the housing open, the connection is established directly via the service interface (CDI-RJ45) of the device.

i An adapter for the RJ45 to the M12 plug is optionally available for the non-hazardous area: Order code for "Accessories", option **NB**: "Adapter RJ45 M12 (service interface)"

The adapter connects the service interface (CDI-RJ45) to an M12 plug mounted in the cable entry. The connection to the service interface can be established via an M12 plug without opening the device.



A0027563

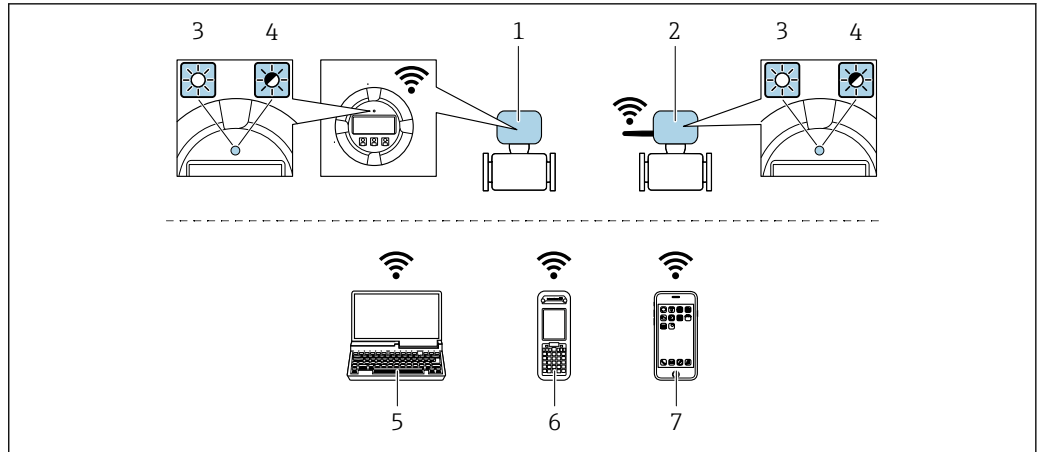
48 Connection via service interface (CDI-RJ45)

- 1 Computer with web browser (e.g. Microsoft Internet Explorer, Microsoft Edge) to access the integrated web server or with an operating tool "FieldCare", "DeviceCare" with COM DTM "CDI Communication TCP/IP" or Modbus DTM
- 2 Standard Ethernet connecting cable with RJ45 plug
- 3 Service interface (CDI-RJ45) of the measuring device with access to the integrated web server

Via WLAN interface


The optional WLAN interface is available on the following device version:

Order code for "Display; operation", option G "4-line, illuminated; touch control + WLAN"



A0034570

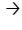
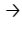
- 1 Transmitter with integrated WLAN antenna
- 2 Transmitter with external WLAN antenna
- 3 LED lit constantly: WLAN reception is enabled on measuring device
- 4 LED flashing: WLAN connection established between operating unit and measuring device
- 5 Computer with WLAN interface and web browser (e.g. Microsoft Internet Explorer, Microsoft Edge) for accessing the integrated device web server or with operating tool (e.g. FieldCare, DeviceCare)
- 6 Mobile handheld terminal with WLAN interface and web browser (e.g. Microsoft Internet Explorer, Microsoft Edge) for accessing the integrated device web server or operating tool (e.g. FieldCare, DeviceCare)
- 7 Smart phone or tablet (e.g. Field Xpert SMT70)


Function	WLAN: IEEE 802.11 b/g (2.4 GHz) <ul style="list-style-type: none"> ▪ Access Point with DHCP server (factory setting) ▪ Network
Encryption	WPA2-PSK AES-128 (in accordance with IEEE 802.11i)
Configurable WLAN channels	1 to 11
Degree of protection	IP67
Available antennas	<ul style="list-style-type: none"> ▪ Internal antenna ▪ External antenna (optional) In the event of poor transmission/reception conditions at the place of installation. Available as an accessory .  Only 1 antenna is active at any one time!
Range	<ul style="list-style-type: none"> ▪ Internal antenna: typically 10 m (32 ft) ▪ External antenna: typically 50 m (164 ft)
Materials (external antenna)	<ul style="list-style-type: none"> ▪ Antenna: ASA plastic (acrylonitrile styrene acrylate) and nickel-plated brass ▪ Adapter: Stainless steel and nickel-plated brass ▪ Cable: Polyethylene ▪ Plug: Nickel-plated brass ▪ Angle bracket: Stainless steel

Supported operating tools

Different operating tools can be used for local or remote access to the measuring device. Depending on the operating tool used, access is possible with different operating units and via a variety of interfaces.

Supported operating tools	Operating unit	Interface	Additional information
Web browser	Notebook, PC or tablet with web browser	<ul style="list-style-type: none"> ▪ CDI-RJ45 service interface ▪ WLAN interface 	Special Documentation for device
DeviceCare SFE100	Notebook, PC or tablet with Microsoft Windows system	<ul style="list-style-type: none"> ▪ CDI-RJ45 service interface ▪ WLAN interface ▪ Fieldbus protocol 	→ 79

Supported operating tools	Operating unit	Interface	Additional information
FieldCare SFE500	Notebook, PC or tablet with Microsoft Windows system	<ul style="list-style-type: none"> ■ CDI-RJ45 service interface ■ WLAN interface ■ Fieldbus protocol 	→  79
Field Xpert	SMT70/77/50	<ul style="list-style-type: none"> ■ All Fieldbus protocols ■ WLAN interface ■ Bluetooth ■ CDI-RJ45 service interface 	Operating Instructions BA01202S Device description files: Use update function of handheld terminal
SmartBlue app	Smart phone or tablet with iOS or Android	WLAN	→  79

 Other operating tools based on FDT technology with a device driver such as DTM/iDTM or DD/EDD can be used for device operation. These operating tools are available from the individual manufacturers. Integration into the following operating tools, among others, is supported:

- FactoryTalk AssetCentre (FTAC) from Rockwell Automation → www.rockwellautomation.com
- Process Device Manager (PDM) from Siemens → www.siemens.com
- Asset Management Solutions (AMS) from Emerson → www.emersonprocess.com
- FieldCommunicator 375/475 from Emerson → www.emersonprocess.com
- Field Device Manager (FDM) from Honeywell → www.process.honeywell.com
- FieldMate from Yokogawa → www.yokogawa.com
- PACTWare → www.pactware.com

The related device description files are available: www.endress.com → Download Area

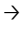

Web server

With the integrated web server, the device can be operated and configured via a web browser service interface (CDI-RJ45) or WLAN interface. The structure of the operating menu is the same as for the local display. In addition to the measured values, status information on the device is displayed and can be used to monitor device health. Furthermore the device data can be managed and the network parameters can be configured.

A device that has a WLAN interface (can be ordered as an option) is required for the WLAN connection: order code for "Display; operation", option G "4-line, illuminated; touch control + WLAN". The device acts as an Access Point and enables communication by computer or a mobile handheld terminal.

Supported functions

Data exchange between the operating unit (such as a notebook, for example,) and measuring device:


- Upload the configuration from the measuring device (XML format, configuration backup)
- Save the configuration to the measuring device (XML format, restore configuration)
- Export event list (.csv file)
- Export parameter settings (.csv file or PDF file, document the measuring point configuration)
- Export the Heartbeat verification log (PDF file, only available with the **Heartbeat Verification** →  76 application package)
- Flash firmware version for device firmware upgrade, for example
- Download driver for system integration
- Visualize up to 1000 saved measured values (only available with the **Extended HistoROM** application package →  76)



Special Documentation for web server

HistoROM data management

The measuring device features HistoROM data management. HistoROM data management comprises both the storage and import/export of key device and process data, making operation and servicing far more reliable, secure and efficient.

 When the device is delivered, the factory settings of the configuration data are stored as a backup in the device memory. This memory can be overwritten with an updated data record, for example after commissioning.

Additional information on the data storage concept

There are different types of data storage units in which device data are stored and used by the device:

	HistoROM backup	T-DAT	S-DAT
Available data	<ul style="list-style-type: none"> ▪ Event logbook, e.g. diagnostic events ▪ Parameter data record backup ▪ Device firmware package 	<ul style="list-style-type: none"> ▪ Measured value logging ("Extended HistoROM" order option) ▪ Current parameter data record (used by firmware at run time) ▪ Indicator (minimum/maximum values) ▪ Totalizer value 	<ul style="list-style-type: none"> ▪ Sensor data: e.g. nominal diameter ▪ Serial number ▪ Calibration data ▪ Device configuration (e.g. SW options, fixed I/O or multi I/O)
Storage location	Fixed on the user interface PC board in the connection compartment	Can be plugged into the user interface PC board in the connection compartment	In the sensor plug in the transmitter neck part

Data backup

Automatic

- The most important device data (sensor and transmitter) are automatically saved in the DAT modules
- If the transmitter or measuring device is replaced: once the T-DAT containing the previous device data has been exchanged, the new measuring device is ready for operation again immediately without any errors
- If exchanging the electronics module (e.g. I/O electronics module): Once the electronics module has been replaced, the software of the module is compared against the current device firmware. The module software is upgraded or downgraded where necessary. The electronics module is available for use immediately afterwards and no compatibility problems occur.

Manual

Additional parameter data record (complete parameter settings) in the integrated device memory HistoROM backup for:

- Data backup function
Backup and subsequent restoration of a device configuration in the device memory HistoROM backup
- Data comparison function
Comparison of the current device configuration with the device configuration saved in the device memory HistoROM backup

Data transmission

Manual

Transfer of a device configuration to another device using the export function of the specific operating tool, e.g. with FieldCare, DeviceCare or Web server: to duplicate the configuration or to store in an archive (e.g. for backup purposes)

Event list

Automatic

- Chronological display of up to 20 event messages in the events list
- If the **Extended HistoROM** application package (order option) is enabled: up to 100 event messages are displayed in the events list along with a time stamp, plain text description and remedial measures
- The events list can be exported and displayed via a variety of interfaces and operating tools e.g. DeviceCare, FieldCare or Web server

Data logging

Manual

If the **Extended HistoROM** application package (order option) is enabled:

- Recording of 1 to 4 channels of up to 1 000 measured values (up to 250 measured values per channel)
- User configurable recording interval
- Export the measured value log via a variety of interfaces and operating tools e.g. FieldCare, DeviceCare or web server

Certificates and approvals

Current certificates and approvals for the product are available at www.endress.com on the relevant product page:

1. Select the product using the filters and search field.
2. Open the product page.
3. Select **Downloads**.

CE mark The device meets the legal requirements of the applicable EU Directives. These are listed in the corresponding EU Declaration of Conformity along with the standards applied.
Endress+Hauser confirms successful testing of the device by affixing to it the CE mark.


UKCA marking The device meets the legal requirements of the applicable UK regulations (Statutory Instruments). These are listed in the UKCA Declaration of Conformity along with the designated standards. By selecting the order option for UKCA marking, Endress+Hauser confirms a successful evaluation and testing of the device by affixing the UKCA mark.

Contact address Endress+Hauser UK:
Endress+Hauser Ltd.
Floats Road
Manchester M23 9NF
United Kingdom
www.uk.endress.com

RCM marking The measuring system meets the EMC requirements of the "Australian Communications and Media Authority (ACMA)".

Ex approval The measuring device is certified for use in hazardous areas and the relevant safety instructions are provided in the separate "Safety Instructions" (XA) document. Reference is made to this document on the nameplate.

Devices with the order code for "Approval", option BB or BD have equipment protection level (EPL) Ga/Gb (Zone 0 in the measuring tube).

 The separate Ex documentation (XA) containing all the relevant explosion protection data is available from your Endress+Hauser sales center.

ATEX, IECEX

Currently, the following versions for use in hazardous areas are available:

Ex db eb

Category	Type of protection
II1/2G	Ex db eb ia IIC T4...T1 Ga/Gb
II2G	Ex db eb ia IIC T4...T1 Gb

Ex db

Category	Type of protection
II1/2G	Ex db ia IIC T4...T1 Ga/Gb
II2G	Ex db ia IIC T4...T1 Gb

Ex ec

Category	Type of protection
II3G	Ex ec IIC T4...T1 Gc

Ex tb

Category	Type of protection
IIC D	Ex tb IIC T** °C Db

cCSA_{US}

Currently, the following versions for use in hazardous areas are available:

XP (Ex d)

Class I, II, III Division 1 Groups A-G

NI (Ex ec)

Class I Division 2 Groups A - D

Ex de

- Class I, Zone 1 AEx/ Ex de ia IIC T4...T1 Ga/Gb
- Class I, Zone 1 AEx/ Ex de ia IIC T4...T1 Gb

Ex db

- Class I, Zone 1 AEx/ Ex db ia IIC T4...T1 Ga/Gb
- Class I, Zone 1 AEx/ Ex db ia IIC T4...T1 Gb

Ex ec

Class I, Zone 2 AEx/ Ex ec IIC T4...T1 Gc

Ex tb

Zone 2 I AEx/ Ex tb IIC T** °C Db

Functional safety

The measuring device can be used for flow monitoring systems (min., max., range) up to SIL 2 (single-channel architecture; order code for "Additional approval", option LA) and SIL 3 (multi-channel architecture with homogeneous redundancy) and is independently evaluated and certified in accordance with IEC 61508.

The following types of monitoring in safety equipment are possible:

Mass flow



Functional safety manual with information and restrictions for the SIL device → 81

HART certification

HART interface

The measuring device is certified and registered by the FieldComm Group. The measuring system meets all the requirements of the following specifications:

- Certified according to HART 7
- The device can also be operated with certified devices of other manufacturers (interoperability)

Radio approval

The measuring device has radio approval.



For detailed information on the radio approval, see the Special Documentation → 81

Additional certification

CRN approval

Some device versions have CRN approval. A CRN-approved process connection with a CSA approval must be ordered for a CRN-approved device.

External standards and guidelines

- EN 60529
Degrees of protection provided by enclosure (IP code)
- EN 61010-1
Safety requirements for electrical equipment for measurement, control and laboratory use - general requirements
- IEC/EN 61326-2-3
Emission in accordance with Class A requirements. Electromagnetic compatibility (EMC requirements).
- NAMUR NE 21
Electromagnetic compatibility (EMC) of industrial process and laboratory control equipment
- NAMUR NE 32
Data retention in the event of a power failure in field and control instruments with microprocessors

- NAMUR NE 43
Standardization of the signal level for the breakdown information of digital transmitters with analog output signal.
- NAMUR NE 53
Software of field devices and signal-processing devices with digital electronics
- NAMUR NE 105
Specifications for integrating fieldbus devices in engineering tools for field devices
- NAMUR NE 107
Self-monitoring and diagnosis of field devices
- NAMUR NE 131
Requirements for field devices for standard applications
- ETSI EN 300 328
Guidelines for 2.4 GHz radio components.
- EN 301489
Electromagnetic compatibility and radio spectrum matters (ERM).

Classification of process sealing between electrical systems and (flammable or combustible) process fluids in accordance with ANSI/ISA 12.27.01

Endress+Hauser devices are designed in accordance with ANSI/ISA 12.27.01, allowing the user to waive the use and save the cost of installing external secondary process seals in the conduit as required by the process sealing sections of ANSI/NFPA 70 (NEC) and CSA 22.1 (CEC). These devices comply with the North American installation practice and provide a very safe and cost-saving installation for pressurized applications with hazardous fluids. Further information can be found in the control drawings of the relevant devices.

Ordering information

Detailed ordering information is available as follows:

- In the Product Configurator on the Endress+Hauser website: www.endress.com -> Click "Corporate" -> Select your country -> Click "Products" -> Select the product using the filters and search field -> Open product page -> The "Configure" button to the right of the product image opens the Product Configurator.
- From your Endress+Hauser Sales Center: www.addresses.endress.com



Product Configurator - the tool for individual product configuration

- Up-to-the-minute configuration data
- Depending on the device: Direct input of measuring point-specific information such as measuring range or operating language
- Automatic verification of exclusion criteria
- Automatic creation of the order code and its breakdown in PDF or Excel output format
- Ability to order directly in the Endress+Hauser Online Shop

Application packages

Many different application packages are available to enhance the functionality of the device. Such packages might be needed to address safety aspects or specific application requirements.

The application packages can be ordered with the device or subsequently from Endress+Hauser. Detailed information on the order code in question is available from your local Endress+Hauser sales center or on the product page of the Endress+Hauser website: www.endress.com.



Detailed information on the application packages:
Special Documentation → 81

Diagnostic functionality

Order code for "Application package", option EA "Extended HistoROM"

Comprises extended functions concerning the event log and the activation of the measured value memory.

Event log:

Memory volume is extended from 20 message entries (standard version) to up to 100 entries.

Data logging (line recorder):

- Memory capacity for up to 1000 measured values is activated.
- 250 measured values can be output via each of the 4 memory channels. The recording interval can be defined and configured by the user.
- Measured value logs can be accessed via the local display or operating tool e.g. FieldCare, DeviceCare or Web server.



For detailed information, see the Operating Instructions for the device.

Heartbeat Technology

Order code for "Application package", option EB "Heartbeat Verification + Monitoring"

Heartbeat Verification

Meets the requirement for traceable verification to DIN ISO 9001:2008 Chapter 7.6 a) "Control of monitoring and measuring equipment".

- Functional testing in the installed state without interrupting the process.
- Traceable verification results on request, including a report.
- Simple testing process via local operation or other operating interfaces.
- Clear measuring point assessment (pass/fail) with high test coverage within the framework of manufacturer specifications.
- Extension of calibration intervals according to operator's risk assessment.

Heartbeat Monitoring

Continuously supplies data, which are characteristic of the measuring principle, to an external condition monitoring system for the purpose of preventive maintenance or process analysis. These data enable the operator to:

- Draw conclusions - using these data and other information - about the impact on the measuring performance over time.
- Schedule servicing in time.
- Monitor the process or product quality, e.g. process stability.



Special Documentation SD02712D

Second gas group












Package	Description
Second gas group	This application package enables the configuration of two different standard gases/gas mixtures in the device and allows the user to switch from one gas group to another using the status input or (if available) via bus communication.

Accessories









Various accessories, which can be ordered with the device or subsequently from Endress+Hauser, are available for the device. Detailed information on the order code in question is available from your local Endress+Hauser sales center or on the product page of the Endress+Hauser website: www.endress.com.

Device-specific accessories


For the transmitter


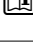

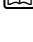


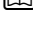


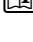




Accessories	Description
Proline 300 transmitter	<p>Transmitter for replacement or storage. Use the order code to define the following specifications:</p> <ul style="list-style-type: none"> ▪ Approvals ▪ Output ▪ Input ▪ Display/operation ▪ Housing ▪ Software <p> Order code: 6X3BXX</p> <p> Installation Instructions EA01286D</p>
Remote display and operating module DKX001	<ul style="list-style-type: none"> ▪ If ordered directly with the measuring device: Order code for "Display; operation", option O "Remote display 4-line, illuminated; 10 m (30 ft) cable; touch control" ▪ If ordered separately: <ul style="list-style-type: none"> ▪ Measuring device: order code for "Display; operation", option M "W/o, prepared for remote display" ▪ DKX001: Via the separate product structure DKX001 ▪ If ordered subsequently: DKX001: Via the separate product structure DKX001 <p>Mounting bracket for DKX001</p> <ul style="list-style-type: none"> ▪ If ordered directly: order code for "Accessory enclosed", option RA "Mounting bracket, pipe 1/2" ▪ If ordered subsequently: order number: 71340960 <p>Connecting cable (replacement cable) Via the separate product structure: DKX002</p> <p> Further information on display and operating module DKX001 →  66.</p> <p> Special Documentation SD01763D</p>
External WLAN antenna	<p>External WLAN antenna with 1.5 m (59.1 in) connecting cable and two angle brackets. Order code for "Accessory enclosed", option P8 "Wireless antenna wide area".</p> <p> <ul style="list-style-type: none"> ▪ The external WLAN antenna is not suitable for use in hygienic applications. ▪ Additional information regarding the WLAN interface →  68. </p> <p> Order number: 71351317</p> <p> Installation Instructions EA01238D</p>
Weather protection cover	<p>Is used to protect the measuring device from the effects of the weather: e.g. rainwater, excess heating from direct sunlight.</p> <p> Order number: 71343505</p> <p> Installation Instructions EA01160D</p>

For the sensor



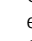

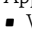

Accessories	Description
Mounting boss	<p>Order code for "Accessory enclosed"</p> <ul style="list-style-type: none"> ▪ Option PC "Mounting boss, G1" ▪ Option PD "Mounting boss, 1" NPT" ▪ Option PE "Mounting boss, G$\frac{3}{4}$" ▪ Option PF "Mounting boss, $\frac{3}{4}$" NPT" <p> Can be ordered separately: order code DK6MB</p>
Cold tap (ambient pressure)	<p>Order code for "Accessory enclosed"</p> <ul style="list-style-type: none"> ▪ Option PR "Cold tap G1", ambient pressure" ▪ Option PS "Cold tap 1" NPT, ambient pressure" ▪ Option PT "Cold tap G$\frac{3}{4}$", ambient pressure" ▪ Option PU "Cold tap $\frac{3}{4}$" NPT, ambient pressure" <p> Can be ordered separately: order code DK6ML</p>
Hot tap (low pressure)	<p>Order code for "Accessory enclosed"</p> <ul style="list-style-type: none"> ▪ Option PG "Hot tap G1", low pressure max. 4.5 bar/65 psig" ▪ Option PH "Hot tap 1" NPT, low pressure max. 4.5 bar/65 psig" ▪ Option PK "Hot tap G$\frac{3}{4}$", low pressure max. 4.5 bar/65 psig" ▪ Option PL "Hot tap $\frac{3}{4}$" NPT, low pressure max. 4.5 bar/65 psig" <p> Mounting set contains mounting boss (process connection), sensor connection with safety chain and ball valve. To insert or remove the sensor at process pressures up to max. 4.5 barg (65 psi).</p> <p> If the accessory is ordered separately, individual combinations can be selected. Order code DK6003</p>
Hot tap (medium pressure)	<p>Order code for "Accessory enclosed"</p> <ul style="list-style-type: none"> ▪ Option PI "Hot tap G1", medium pressure max. 16 bar/230 psig" ▪ Option PJ "Hot tap 1" NPT, medium pressure max. 16 bar/230 psig" ▪ Option PM "Hot tap G$\frac{3}{4}$", medium pressure max. 16 bar/230 psig" ▪ Option PN "Hot tap $\frac{3}{4}$" NPT, medium pressure max. 16 bar/230 psig" <p> Mounting set contains mounting boss (process connection), sensor connection, ball valve and extractor assembly. To insert or remove the sensor at process pressures up to max. 16 barg (230 psi).</p> <p> If the accessory is ordered separately, individual combinations can be selected. Order code DK6003</p>
Flow conditioner	<p> Can be ordered separately: order code DK6004</p> <p>Available for the following pipe diameters:</p> <ul style="list-style-type: none"> ▪ DN 80 (3") ▪ DN 100 (4") ▪ DN 150 (6") ▪ DN 200 (8") ▪ DN 250 (10") ▪ DN 300 (12") <p>Available for the following process connections:</p> <ul style="list-style-type: none"> ▪ PN10, EN1092-1 ▪ PN16, EN1092-1 ▪ PN25, EN1092-1 ▪ PN40, EN1092-1 ▪ Cl.150, ASME B16.5 ▪ Cl.300, ASME B16.5 ▪ 10K, JIS B2220 ▪ 20K, JIS B2220 <p> Screws and seals are not included in the delivery.</p>



Communication-specific accessories

Accessories	Description
Commubox FXA195 HART	<p>For intrinsically safe HART communication with FieldCare via the USB port.</p> <p> Technical Information TI00404F</p>





HART Loop Converter HMX50	<p>Is used to evaluate and convert dynamic HART process variables to analog current signals or limit values.</p> <ul style="list-style-type: none">  Technical Information TI00429F  Operating Instructions BA00371F
Fieldgate FXA42	<p>Transmission of the measured values of connected 4 to 20 mA analog measuring devices, as well as digital measuring devices</p> <ul style="list-style-type: none">  Technical Information TI01297S  Operating Instructions BA01778S  Product page: www.endress.com/fxa42
Field Xpert SMT50	<p>The Field Xpert SMT70 tablet PC for device configuration enables mobile plant asset management in non-hazardous areas. It is suitable for commissioning and maintenance staff to manage field instruments with a digital communication interface and to record progress.</p> <p>This tablet PC is designed as an all-in-one solution with a preinstalled driver library and is an easy-to-use, touch-sensitive tool which can be used to manage field instruments throughout their entire life cycle.</p> <ul style="list-style-type: none">  Technical Information TI01342S  Operating Instructions BA01709S  Product page: www.endress.com/smt50
Field Xpert SMT70	<p>The Field Xpert SMT70 tablet PC for device configuration enables mobile plant asset management in hazardous and non-hazardous areas. It is suitable for commissioning and maintenance staff to manage field instruments with a digital communication interface and to record progress.</p> <p>This tablet PC is designed as an all-in-one solution with a preinstalled driver library and is an easy-to-use, touch-sensitive tool which can be used to manage field instruments throughout their entire life cycle.</p> <ul style="list-style-type: none">  Technical Information TI01342S  Operating Instructions BA01709S  Product page: www.endress.com/smt70
Field Xpert SMT77	<p>The Field Xpert SMT77 tablet PC for device configuration enables mobile plant asset management in areas categorized as Ex Zone 1.</p> <ul style="list-style-type: none">  Technical Information TI01418S  Operating Instructions BA01923S  Product page: www.endress.com/smt77

Service-specific accessories

Accessories	Description
Applicator	<p>Software for selecting and sizing Endress+Hauser measuring devices:</p> <ul style="list-style-type: none">  Choice of measuring devices for industrial requirements  Calculation of all the necessary data for identifying the optimum flowmeter: e.g. nominal diameter, pressure loss, flow velocity and accuracy.  Graphic illustration of the calculation results  Determination of the partial order code, administration, documentation and access to all project-related data and parameters over the entire life cycle of a project. <p>Applicator is available:</p> <ul style="list-style-type: none">  Via the Internet: https://portal.endress.com/webapp/applicator  As a downloadable DVD for local PC installation.
W@M	<p>W@M Life Cycle Management</p> <p>Improved productivity with information at your fingertips. Data relevant to a plant and its components is generated from the first stages of planning and during the asset's complete life cycle.</p> <p>W@M Life Cycle Management is an open and flexible information platform with online and on-site tools. Instant access for your staff to current, in-depth data shortens your plant's engineering time, speeds up procurement processes and increases plant uptime.</p> <p>Combined with the right services, W@M Life Cycle Management boosts productivity in every phase. For more information, see: www.endress.com/lifecyclemanagement</p>

Accessories	Description
FieldCare	FDT-based plant asset management tool from Endress+Hauser. It can configure all smart field units in your system and helps you manage them. By using the status information, it is also a simple but effective way of checking their status and condition.  Operating Instructions BA00027S and BA00059S
DeviceCare	Tool to connect and configure Endress+Hauser field devices.  Innovation brochure IN01047S

System components

Accessories	Description
Memograph M graphic data manager	The Memograph M graphic data manager provides information on all the relevant measured variables. Measured values are recorded correctly, limit values are monitored and measuring points analyzed. The data are stored in the 256 MB internal memory and also on a SD card or USB stick.  <ul style="list-style-type: none"> ▪ Technical Information TI00133R ▪ Operating Instructions BA00247R
Ceraphant PTC31B	The pressure transmitter for measuring the absolute and gauge pressure in gases, steam, liquids and dusts. It can be used to read in the operating pressure value.  <ul style="list-style-type: none"> ▪ Technical Information TI01130P ▪ Operating Instructions BA01270P
Cerabar PMC21	The pressure transmitter for measuring the absolute and gauge pressure in gases, steam, liquids and dusts. It can be used to read in the operating pressure value.  <ul style="list-style-type: none"> ▪ Technical Information TI01133P ▪ Operating Instructions BA01271P
Cerabar S PMC71	The pressure transmitter for measuring the absolute and gauge pressure of gases, steam and liquids. It can be used to read in the operating pressure value.  <ul style="list-style-type: none"> ▪ Technical Information TI00383P ▪ Operating Instructions BA00271P

Documentation



For an overview of the scope of the associated Technical Documentation, refer to the following:

- *Device Viewer* (www.endress.com/deviceviewer): Enter the serial number from the nameplate
- *Endress+Hauser Operations app*: Enter serial number from nameplate or scan matrix code on nameplate.

Standard documentation



Supplementary information on the semi-standard options is available in the relevant Special Documentation in the TSP database.

Brief Operating Instructions

Brief Operating Instructions for the sensor

Measuring device	Documentation code
Proline t-mass I	KA01443D

Brief Operating Instructions for the transmitter

Measuring device	Documentation code	
	HART	Modbus RS485
Proline 300	KA01444D	KA01445D

Operating Instructions

Measuring device	Documentation code	
	HART	Modbus RS485
t-mass I 300	BA01993D	BA01995D

Description of Device Parameters

Measuring device	Documentation code	
	HART	Modbus RS485
t-mass 300	GP01143D	GP01144D

Supplementary device-dependent documentation

Safety instructions

Safety instructions for electrical equipment for hazardous areas.

Contents	Documentation code
ATEX/IECEX Ex d/Ex de	XA01965D
ATEX/IECEX Ex ec	XA01966D
cCSAus XP	XA01969D
cCSAus Ex d/ Ex de	XA01967D
cCSAus Ex nA	XA01968D

Remote display and operating module DKX001

Contents	Documentation code
ATEX/IECEX Ex i	XA01494D
ATEX/IECEX Ex ec	XA01498D
cCSAus IS	XA01499D

Contents	Documentation code
cCSAus Ex nA	XA01513D
INMETRO Ex i	XA01500D
INMETRO Ex ec	XA01501D
NEPSI Ex i	XA01502D
NEPSI Ex nA	XA01503D

Functional safety manual

Contents	Documentation code
Proline t-mass 300	SD02483D

Special documentation

Contents	Documentation code	
	HART	Modbus RS485
Functional Safety Manual	SD02483D	-
Heartbeat Technology	SD02478D	SD02478D
Web server	SD02485D	SD02486D

Installation Instructions

Contents	Comment
Installation instructions for spare part sets and accessories	Documentation code: specified for each individual accessory .

Registered trademarks

HART®

Registered trademark of the FieldComm Group, Austin, Texas, USA

Modbus®

Registered trademark of SCHNEIDER AUTOMATION, INC.



71620263

www.addresses.endress.com
