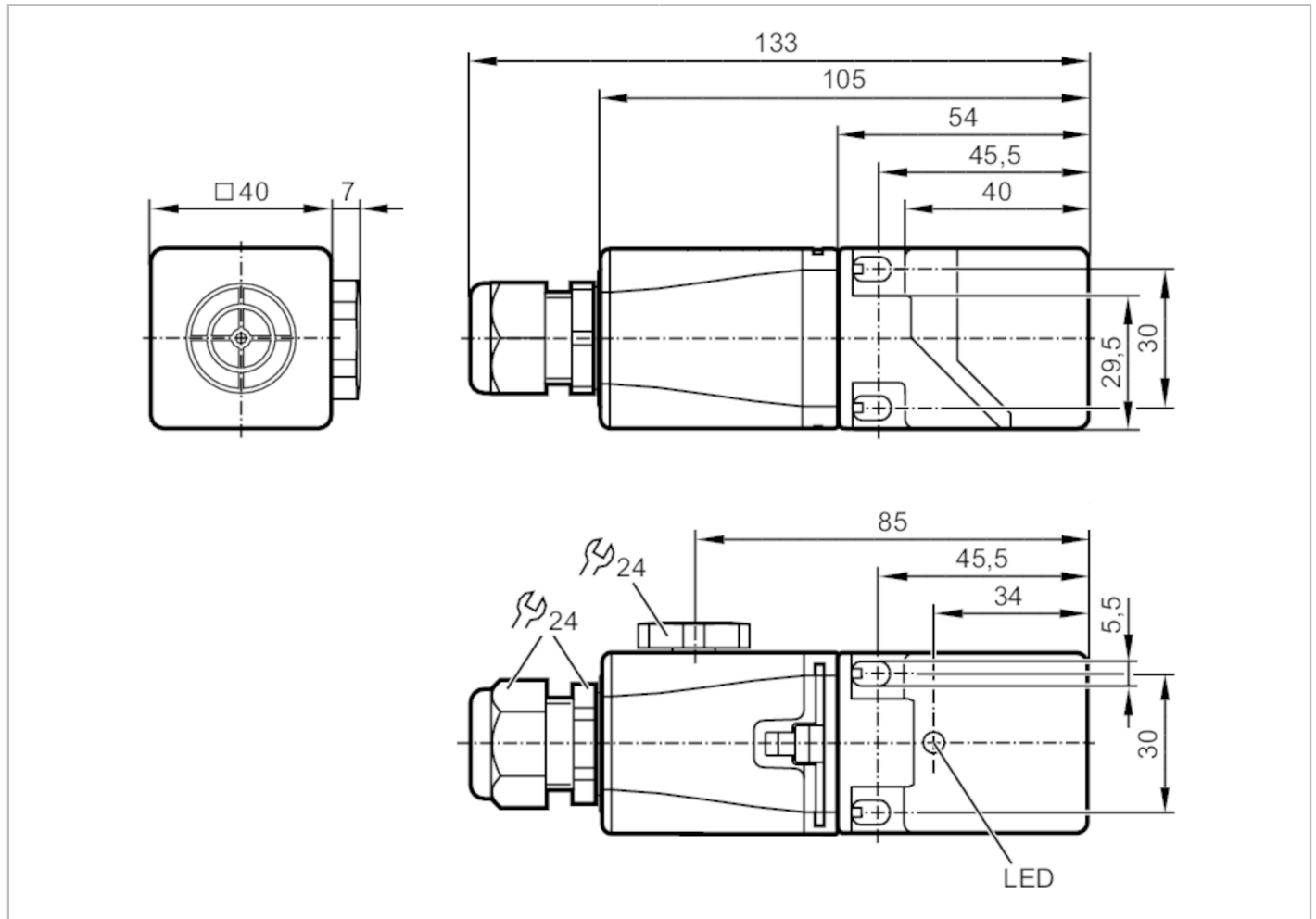


IM002A



Inductive sensor

IME2040-FBOA/3D



Product characteristics	
Output function	normally open / normally closed; (selectable)
Sensing range [mm]	40
Housing	rectangular
Dimensions [mm]	40 x 40 x 105
Electrical data	
Operating voltage [V]	20...250 AC/DC
Protection class	II
Reverse polarity protection	no
Outputs	
Output function	normally open / normally closed; (selectable)
Max. voltage drop switching output DC [V]	6
Max. voltage drop switching output AC [V]	6.5
Minimum load current [mA]	5
Max. leakage current [mA]	2.5 (250 V AC) / 1.3 (130 V AC) / 0.8 (24 V DC)

IM002A



Inductive sensor

IME2040-FBOA/3D

Permanent current rating of switching output AC [mA]	150
Permanent current rating of switching output DC [mA]	100
Short-time current rating of switching output [mA]	2200; (20 ms / 0,5 Hz)
Switching frequency AC [Hz]	10
Switching frequency DC [Hz]	10
Notes on switching frequency [Hz]	only for resistive loads; 2 Hz for utilisation category AC-140
Short-circuit proof	no
Overload protection	no

Detection zone	
Sensing range [mm]	40
Real sensing range Sr [mm]	40 ± 10 %
Operating distance [mm]	0...32.4

Accuracy / deviations	
Correction factor	steel: 1 / stainless steel: 0.7 / brass: 0.4 / aluminium: 0.3 / copper: 0.2
Hysteresis [% of Sr]	1...20
Switch point drift [% of Sr]	-10...10

Operating conditions	
Ambient temperature [°C]	-20...60
Protection	IP 65; IP 67

Tests / approvals	
ATEX marking	II 3D Ex tc IIIC T95°C Dc X
EMC	EN 60947-5-2
MTTF [years]	554

Mechanical data	
Weight [g]	253
Housing	rectangular
Mounting	non-flush mountable
Dimensions [mm]	40 x 40 x 105
Materials	PC; PA; stainless steel

Displays / operating elements	
Display	switching status 1 x LED, yellow

Electrical connection	
Required protection	miniature fuse to IEC60127-2 sheet 1; ≤ 2 A; fast acting; Place the fuse outside the hazardous area.

Remarks	
Remarks	Recommendation: Check the safe functioning of the unit after a short circuit. 5 positions of the active zone possible
Pack quantity	1 pcs.

IM002A



Inductive sensor

IME2040-FBOA/3D

Electrical connection

terminals: 0.34...2.5 mm²; Cable sheath: Ø 5...9 mm

Connection

