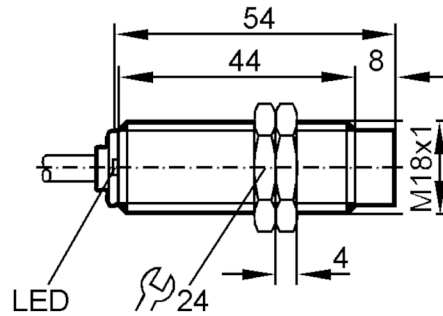


# IG6621



## Inductive sensor

IGK3008A1PKG/0,2M/PUR



### Product characteristics

Housing		threaded type
Dimensions	[mm]	M18 x 1 / L = 54

### Electrical data

Operating voltage	[V]	15...30 DC
Current consumption	[mA]	< 20
Protection class		II
Reverse polarity protection		yes

### Outputs

Analogue current output	[mA]	4...20; (linear; gradient: 2,22 mA/mm; for frontal approach and for target made of mild steel: 24 x 24 x 1 mm)
Max. load	[Ω]	500
Short-circuit protection		yes
Overload protection		yes

### Detection zone

Measuring range	[mm]	0.8...8
-----------------	------	---------

### Accuracy / deviations

Correction factor		steel: 1 / stainless steel: 0.7 / brass: 0.5 / aluminium: 0.4 / copper: 0.3
Linearity error of analogue output	[%]	± 1 %; (of IA max)
Repeatability analogue output	[%]	± 1 %; (of IA max)

### Response times

Response time	[ms]	< 10
---------------	------	------

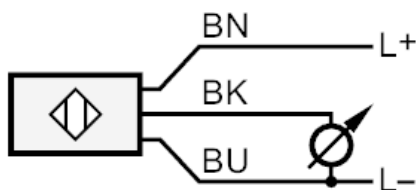
# IG6621



## Inductive sensor

IGK3008A1PKG/0,2M/PUR

Operating conditions		
Ambient temperature	[°C]	-40...80
Protection		IP 67
Tests / approvals		
MTTF	[years]	952
Mechanical data		
Weight	[g]	79.06
Housing		threaded type
Mounting		non-flush mountable
Dimensions	[mm]	M18 x 1 / L = 54
Thread designation		M18 x 1
Materials		housing: brass white bronze coated; sensing face: PBT
Displays / operating elements		
Display	target in measuring range	yellow lights
	target outside measuring range	yellow flashing
Accessories		
Items supplied		lock nuts: 2
Remarks		
Pack quantity		1 pcs.
Electrical connection		
Cable: 0.2 m, PUR, Ø 4 mm; burning behaviour to ECE R118 rev. 2; 3 x 0.50 mm <sup>2</sup> ; flame-retardant (IEC 60332-2, UL: FT2)		
Connection		



Core colours :  
BK = black  
BN = brown  
BU = blue