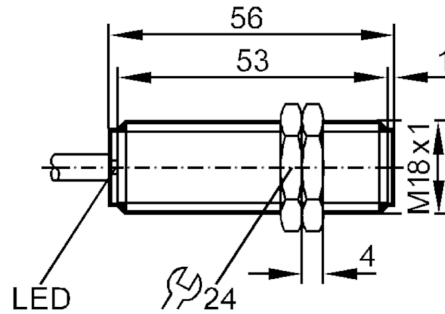




Inductive sensor

IGC2012-ABOA



Product characteristics

Output function		normally open
Sensing range	[mm]	12
Housing		threaded type
Dimensions	[mm]	M18 x 1

Electrical data

Operating voltage	[V]	20...250 AC/DC
Protection class		II
Reverse polarity protection		no

Outputs

Output function		normally open
Max. voltage drop switching output DC	[V]	6.5
Max. voltage drop switching output AC	[V]	6.5
Minimum load current	[mA]	5
Max. leakage current	[mA]	2.5
Permanent current rating of switching output AC	[mA]	250; (350 (...50 °C))
Permanent current rating of switching output DC	[mA]	100
Short-time current rating of switching output	[mA]	2200; (20 ms / 0,5 Hz)
Switching frequency AC	[Hz]	25
Switching frequency DC	[Hz]	100
Short-circuit proof		no
Overload protection		no

Detection zone

Sensing range	[mm]	12
Real sensing range Sr	[mm]	12 ± 10 %
Operating distance	[mm]	0...9.7

Accuracy / deviations

Correction factor		steel: 1 / stainless steel: 0.7 / brass: 0.5 / aluminium: 0.4 / copper: 0.3
Hysteresis	[% of Sr]	3...15

IG0374



Inductive sensor

IGC2012-ABOA

Switch point drift	[% of Sr]	-10...10
--------------------	-----------	----------

Operating conditions

Ambient temperature	[°C]	-25...70
---------------------	------	----------

Protection	IP 67
------------	-------

Tests / approvals

EMC	EN 60947-5-2	
	EN 55011	class B

MTTF	[years]	600
------	---------	-----

Mechanical data

Weight	[g]	109.6
--------	-----	-------

Housing	threaded type
---------	---------------

Mounting	non-flush mountable
----------	---------------------

Dimensions	[mm]	M18 x 1
------------	------	---------

Thread designation	M18 x 1
--------------------	---------

Materials	PBT
-----------	-----

Displays / operating elements

Display	switching status	1 x LED, red
---------	------------------	--------------

Electrical connection

Required protection	miniature fuse to IEC60127-2 sheet 1; ≤ 2 A; fast acting
---------------------	--

Accessories

Items supplied	lock nuts: 2
----------------	--------------

Remarks

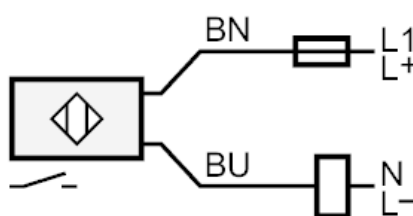
Remarks	Recommendation: Check the safe functioning of the unit after a short circuit.
---------	---

Pack quantity	1 pcs.
---------------	--------

Electrical connection

Cable: 2 m, PVC; 2 x 0.5 mm²

Connection



Note miniature fuse to IEC60127-2 sheet 1 ≤ 2 A fast acting

Core colours :

BN = brown

BU = blue