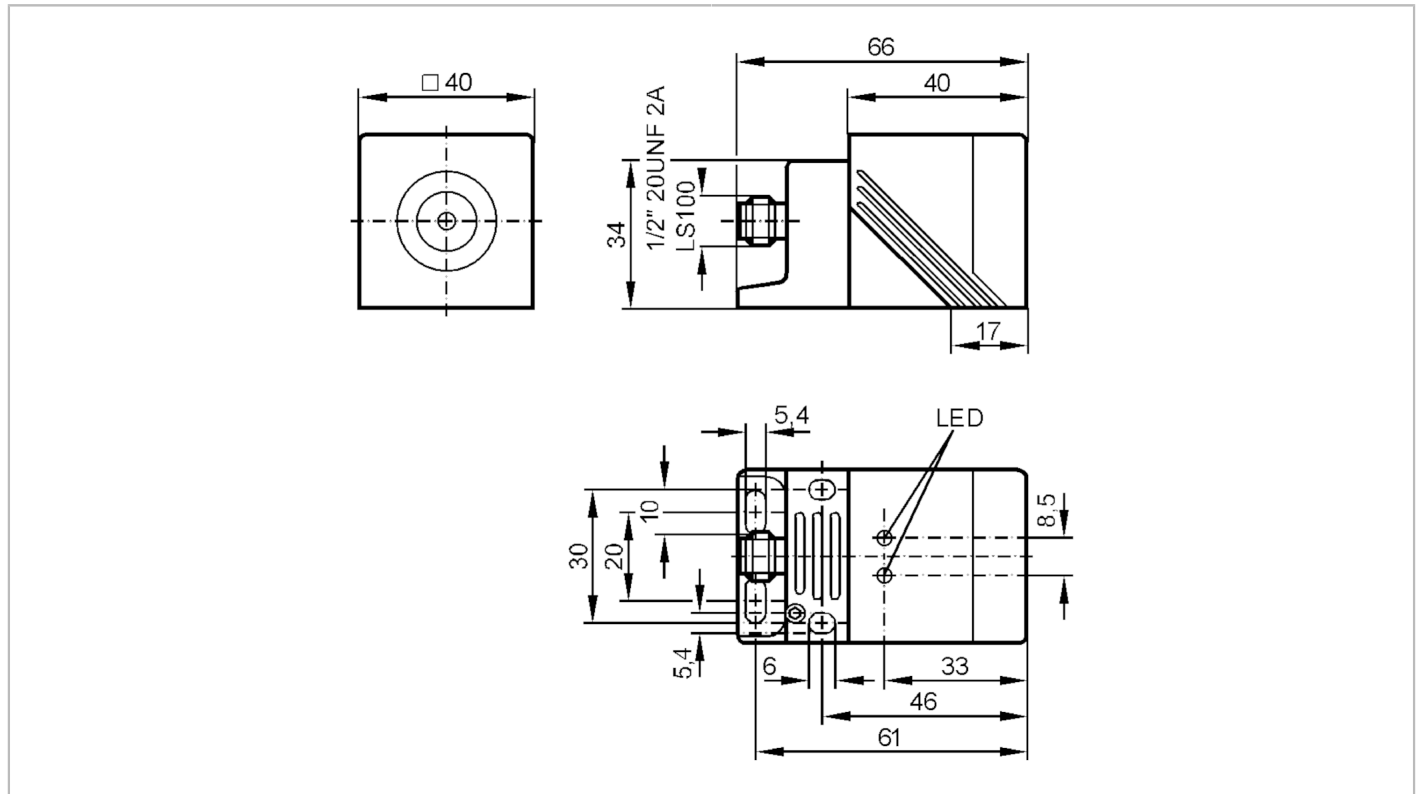


# IM0041



## Inductive sensor

IMC2035-ARKA/LS-100AK



Product characteristics		
Output function		normally open
Sensing range	[mm]	35
Housing		rectangular
Application		
Special feature		Increased sensing range
Electrical data		
Frequency AC	[Hz]	47...63
Operating voltage	[V]	20...140 AC / 10...140 DC
Protection class		I
Reverse polarity protection		yes
Outputs		
Output function		normally open
Max. voltage drop switching output DC	[V]	5.5
Max. voltage drop switching output AC	[V]	5.5
Minimum load current	[mA]	5.5
Max. leakage current	[mA]	1.7 (140 V AC/DC)
Short-time current rating of switching output	[mA]	2200; (20 ms / 0,5 Hz)
Switching frequency AC	[Hz]	25
Switching frequency DC	[Hz]	100

# IM0041



## Inductive sensor

IMC2035-ARKA/LS-100AK

Short-circuit protection		yes
Type of short-circuit protection		pulsed
Overload protection		yes
<b>Detection zone</b>		
Sensing range	[mm]	35
Operating distance	[mm]	0...28.3
Increased sensing range		yes
<b>Accuracy / deviations</b>		
Correction factor		steel: 1 / stainless steel: 0.7 / brass: 0.4 / aluminium: 0.4 / copper: 0.3
Hysteresis	[% of Sr]	3...15
<b>Operating conditions</b>		
Ambient temperature	[°C]	-25...70
Protection		IP 67
<b>Tests / approvals</b>		
EMC		EN 60947-5-2
MTTF	[years]	353
UL approval	Ta	0...40 °C
	Enclosure type	Type 1
	power supply	Hazardous voltage
	File number UL	E174191
<b>Mechanical data</b>		
Weight	[g]	254.55
Housing		rectangular
Mounting		non-flush mountable
Materials		PPE; clamp: diecast zinc
<b>Displays / operating elements</b>		
Display	switching status	1 x LED, red
	operation	1 x LED, green
<b>Remarks</b>		
Remarks		5 positions of the active zone possible
Pack quantity		1 pcs.

# IM0041



## Inductive sensor

IMC2035-ARKA/LS-100AK

### Electrical connection - plug

Connector: 1 x 1/2"; coding: C; Locking: brass

