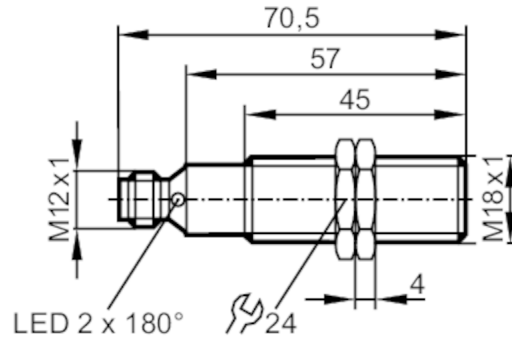


# GG712S



## Fail-safe inductive sensor

GIGA4005-2PS/SIL2/US



### Product characteristics

Electrical design	PNP
Output function	2 x OSSD (A1 and A2)
Enable zone [mm]	1...5
Housing	threaded type
Dimensions [mm]	M18 x 1 / L = 70

### Application

Special feature	Gold-plated contacts
Type of operation	continuous operation (maintenance-free)
Safety-related function	safe state when undamped
Application	industrial application

### Electrical data

Operating voltage [V]	19.2...30 DC
Rated insulation voltage [V]	30
Current consumption [mA]	< 30
Protection class	III
Reverse polarity protection	yes
Max. power-on delay time [ms]	1000

### Outputs

Electrical design	PNP
Output function	2 x OSSD (A1 and A2)
Max. voltage drop switching output DC [V]	2.5; (30 mA)
Permanent current rating of switching output DC [mA]	100
Output data	Interface type C class 1
Output voltage at 24 V	compatible with EN 61131-2 inputs type 1, 2
Short-circuit protection	yes
Overload protection	no
Max. capacitive load CL_max [nF]	20

### Detection zone

Enable zone [mm]	1...5
------------------	-------

# GG712S



## Fail-safe inductive sensor

GIGA4005-2PS/SIL2/US

Safe switching-off distance s(ar)	[mm]	7
--------------------------------------	------	---

### Response times

Response time to safety request	[ms]	1
Response time when approaching the enable zone	[ms]	1
Risk time (response time for safety-related faults)	[ms]	20

### Operating conditions

Applications		class C to EN 60654-1 weatherproof application
Ambient temperature	[°C]	-25...70
Note on ambient temperature		operational life ≤ 87600 h
Ambient temperature	[°C]	10...40
Note on ambient temperature		operational life ≤ 175200 h
Rate of temperature change	[K/min]	0.5
Max. relative air humidity	[%]	briefly: 5...95 %; permanent: 5...70 %
Air pressure	[kPa]	80...106
Max. height above sea level	[m]	2000
Ionising radiation		not permissible
Salt spray		no
Protection		IP 65; IP 67

### Tests / approvals

EMC	IEC 60947-5-2	
	IEC 60947-5-3	
	EN 60947-5-3	
	EN 61000-4-2 ESD	6 kV CD / 8 kV AD
	EN 61000-4-3 HF radiated	20 V/m
	EN 61000-4-4 Burst	2 kV
	EN 61000-4-6 HF conducted	10 V
	EN 61000-4-8	30 A/m
	EN 55011	class B
Shock resistance	IEC 60947-5-2	
Vibration resistance	IEC 60947-5-2	

### Safety classification

Complies with the requirements		ISO 13849-1: 2015 category 2, PL d
		IEC 61508 SIL 2
		IEC 62061 SIL 2
Mission time TM	[h]	≤ 175200
Mission time TM (additional indication)		20 years
PFH	[1/h]	1,0E-07

### Mechanical data

Weight	[g]	133
Housing		threaded type
Mounting		flush mountable
Dimensions	[mm]	M18 x 1 / L = 70

# GG712S



## Fail-safe inductive sensor

GIGA4005-2PS/SIL2/US

Thread designation	M18 x 1
Materials	brass white bronze coated; PBT

### Displays / operating elements

Display	operation	1 x LED, green
	signal	1 x LED, yellow

### Accessories

Items supplied	lock nuts: 2
----------------	--------------

### Remarks

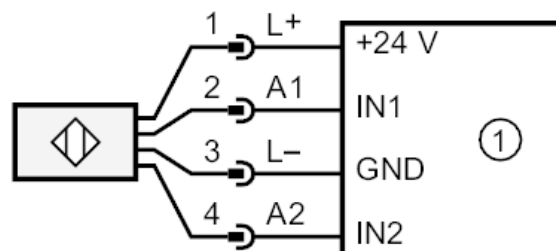
Remarks	Unless stated otherwise, all data refer to the reference target plate to IEC 60947-5-2 over the whole temperature range. (FE360 = ST37K) 18x18x1 mm
Pack quantity	1 pcs.

### Electrical connection - plug

Connector: 1 x M12; coding: A; Contacts: gold-plated



### Connection



1: safety-related logic unit