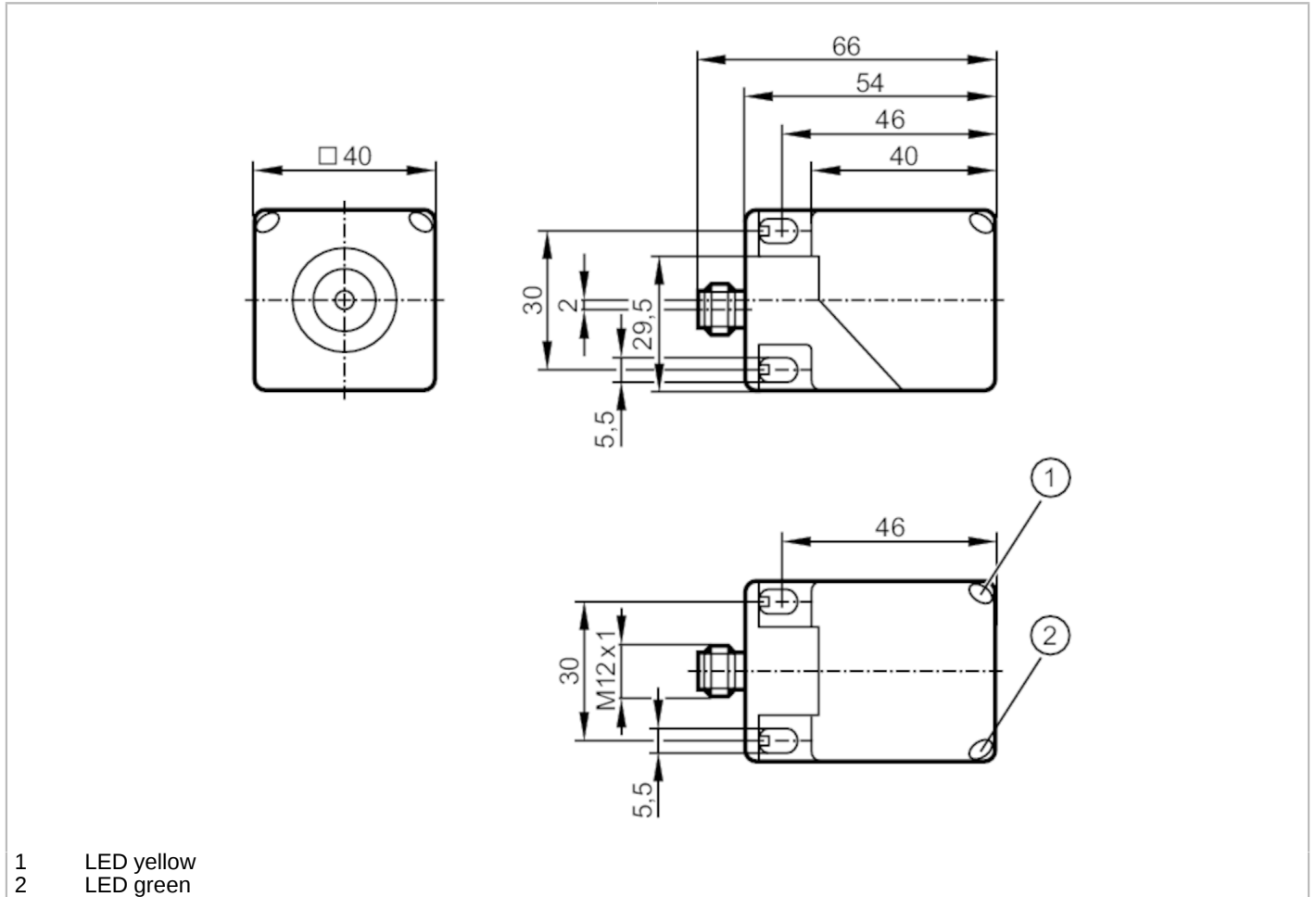


IM5139



Inductive analogue sensor with IO-Link

IMC4015A1PKG/IO/US



Product characteristics	
Electrical design	PNP/NPN; (parameterisable)
Output function	normally open / normally closed; (parameterisable)
Communication interface	IO-Link
Housing	rectangular
Dimensions [mm]	40 x 40 x 54
Electrical data	
Operating voltage [V]	15...30 DC
Current consumption [mA]	< 33
Protection class	II
Reverse polarity protection	yes
Outputs	
Electrical design	PNP/NPN; (parameterisable)
Output function	normally open / normally closed; (parameterisable)
Max. voltage drop switching output DC [V]	2.5
Permanent current rating of switching output DC [mA]	100
Switching frequency DC [Hz]	100

IM5139



Inductive analogue sensor with IO-Link

IMC4015A1PKG/IO/US

Analogue current output	[mA]	4...20; (linear; gradient: 1,143 mA/mm; for frontal approach and for target made of mild steel: 45 x 45 x 1 mm)	
Max. load	[Ω]	500; (U _b ≤ 18 V;; Max. load ≤ 400 Ω)	
Short-circuit protection		yes	
Overload protection		yes	
Detection zone			
Measuring range	[mm]	1...15	
Switch point IO-Link	[mm]	2.37...13.99	
Accuracy / deviations			
Correction factor		steel: 1 / stainless steel: 0.9 / brass: 0.4 / aluminium: 0.4 / copper: 0.3	
Hysteresis	[% of Sr]	3...15	
Note on hysteresis		parameterisable	
Linearity error of analogue output	[%]	± 2; (of the final value of the measuring range)	
Repeatability analogue output	[%]	± 2; (of the final value of the measuring range)	
Temperature coefficient	[%/K vom MEW]	± 0,15	
Temperature drift		± 5 %; (of the final value of the measuring range)	
Response times			
Response time	[ms]	< 20	
Interfaces			
Communication interface		IO-Link	
Transmission type		COM2 (38,4 kBaud)	
IO-Link revision		1.1	
SDCI standard		IEC 61131-9	
Profiles		Smart Sensor: Identification and diagnosis; Multi-channel, two setpoint switching sensor, type 0 Generic Profiled Sensor; Teach Channel	
SIO mode		yes	
Required master port type		A	
Min. process cycle time	[ms]	3.2	
IO-Link process data (cyclical)	function	bit length	
	process value	16	
	device status	4	
	binary switching information	2	
IO-Link functions (acyclical)		switching cycles counter; switch-on cycle counter; operating hours counter; internal temperature; application specific tag	
Supported DeviceIDs	Type of operation	DeviceID	
	default	1205	
Note		For further information please see the IODD PDF file under "Downloads"	
Operating conditions			
Ambient temperature	[°C]	-25...80	
Protection		IP 67	

IM5139



Inductive analogue sensor with IO-Link

IMC4015A1PKG/IO/US

Tests / approvals		
EMC	EN 61000-4-2 ESD	4 kV CD / 8 kV AD
	EN 61000-4-3 HF radiated	10 V/m
	EN 61000-4-4 Burst	2 kV
	EN 61000-4-6 HF conducted	10 V
	EN 55011	class B
MTTF [years]		231
Embedded software included		yes
UL approval	Ta	-25...70 °C
	Enclosure type	Type 1
	power supply	Limited Voltage/Current
	UL Approval no.	A025
	File number UL	E174191

Mechanical data		
Weight [g]		190
Housing		rectangular
Sensing face		5 positions selectable
Mounting		flush mountable
Dimensions [mm]		40 x 40 x 54
Materials		PA; brass white bronze coated

Displays / operating elements		
Display	target in measuring range	1 x LED, yellow lights
	target outside measuring range	1 x LED, yellow flashing
	operation	LED, green

Remarks		
Pack quantity		1 pcs.

Electrical connection - plug

Connector: 1 x M12; coding: A



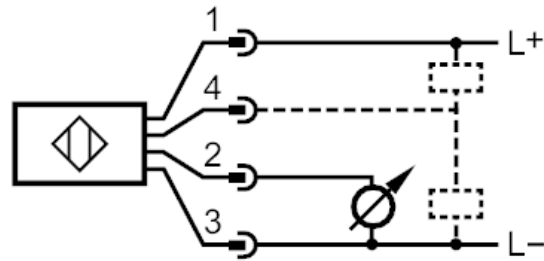
IM5139



Inductive analogue sensor with IO-Link

IMC4015A1PKG/IO/US

Connection



1	L +
2	OUT
3	L -
4	OUT / IO-Link