

Technical Information

iTHERM TM412

Trend-setting, modular resistance thermometer with spring loaded insert for hygienic and aseptic applications



Applications

- Specially designed for use in hygienic and aseptic applications in the Food & Beverages and Life Sciences industries
- Measuring range: -200 to +600 °C (-328 to +1 112 °F)
- Pressure range up to 40 bar (580 psi)
- Protection class: up to IP69K

Temperature transmitter

All Endress+Hauser transmitters are available with enhanced accuracy and reliability compared to directly wired sensors. Easy customizing by choosing one of the following outputs and communication protocols:

- Analog output 4 to 20 mA, HART®
- PROFIBUS® PA, FOUNDATION Fieldbus™
- Bluetooth® connectivity (optional)
- Hygienic field transmitters with HART® protocol with backlit display, large measured value, bargraph and fault condition indication for ease of reading

Your benefits

- User-friendly and reliable from product selection to maintenance
- iTHERM inserts: globally unique, automated production. Full traceability and consistently high product quality for reliable measured values
- iTHERM QuickSens: fastest response times (t_{90s} : 1.5 s) for optimum process control
- iTHERM StrongSens: all-time vibration resistance (> 60g) for ultimate plant safety
- iTHERM QuickNeck – cost and time savings thanks to simple, tool-free recalibration
- iTHERM TA30R: 316L terminal head for easy handling and low installation and maintenance costs, with highest IP69K rating
- International certification: explosion protection e.g. ATEX/IECEX/FM/CSA and in compliance with hygiene standards according to 3-A®, EHEDG, ASME BPE, FDA, TSE Certificate of Suitability

Table of contents

| | | | |
|---|-----------|--|-----------|
| Function and system design | 3 | Tip shape | 37 |
| iTHERM Hygiene line | 3 | Certificates and approvals | 38 |
| Measuring principle | 3 | Hygiene standard | 38 |
| Measuring system | 4 | Materials in contact with food/product (FCM) | 38 |
| Modular design | 5 | Material resistance | 38 |
| Input | 6 | CRN approval | 38 |
| Measured variable | 6 | Surface purity | 38 |
| Measuring range | 6 | Thermowell testing and load capacity calculation | 39 |
| Output | 6 | Ordering information | 39 |
| Output signal | 6 | Accessories | 40 |
| Family of temperature transmitters | 6 | Device-specific accessories | 40 |
| Power supply | 7 | Communication-specific accessories | 40 |
| Wiring diagrams for RTD | 7 | Service-specific accessories | 41 |
| Cable entries | 9 | System components | 42 |
| Connectors | 10 | Supplementary documentation | 42 |
| Overvoltage protection | 12 | | |
| Performance characteristics | 12 | | |
| Reference conditions | 12 | | |
| Maximum measured error | 12 | | |
| Influence of ambient temperature | 13 | | |
| Self heating | 13 | | |
| Response time | 13 | | |
| Calibration | 14 | | |
| Insulation resistance | 16 | | |
| Installation | 16 | | |
| Orientation | 16 | | |
| Installation instructions | 16 | | |
| Environment | 20 | | |
| Ambient temperature range | 20 | | |
| Storage temperature | 20 | | |
| Humidity | 20 | | |
| Climate class | 20 | | |
| Degree of protection | 20 | | |
| Shock and vibration resistance | 20 | | |
| Electromagnetic compatibility (EMC) | 20 | | |
| Process | 20 | | |
| Process temperature range | 20 | | |
| Thermal shock | 20 | | |
| Process pressure range | 20 | | |
| Medium - state of aggregation | 21 | | |
| Mechanical construction | 22 | | |
| Design, dimensions | 22 | | |
| Weight | 28 | | |
| Material | 28 | | |
| Surface roughness | 29 | | |
| Terminal heads | 29 | | |
| Extension neck | 33 | | |
| Process connections | 34 | | |

Function and system design

iTHERM Hygiene line

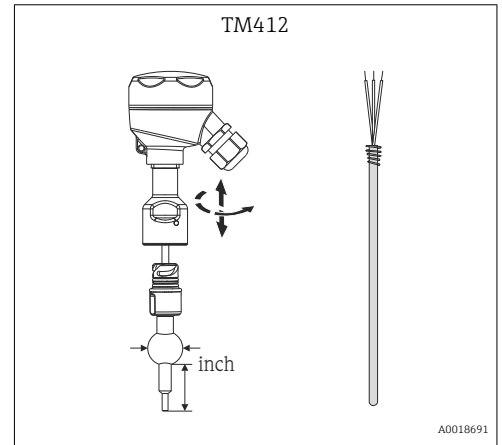
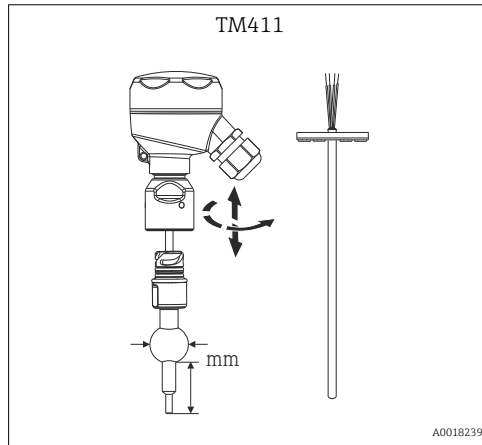
This thermometer is part of the product line of modular thermometers for hygienic and aseptic applications.

Differentiating factors when selecting a suitable thermometer

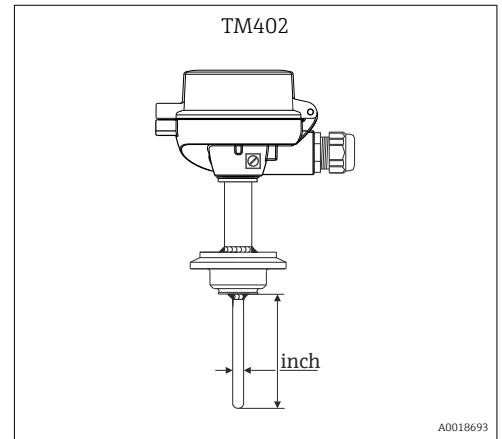
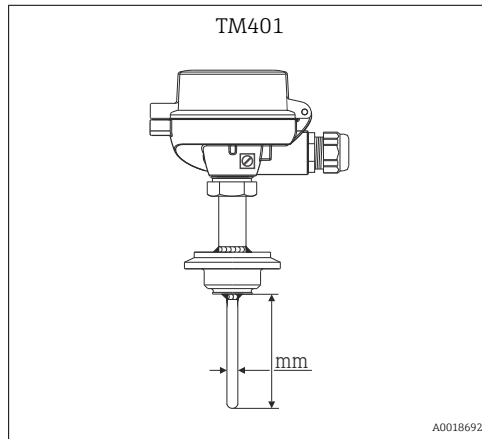
| | |
|----------------|------------------|
| TM4x1 | TM4x2 |
| Metric version | Imperial version |



TM41x characterizes the device that uses cutting-edge technology, with features such as a replaceable insert, quick-fastening extension neck (iTHERM QuickNeck), vibration-resistant and fast-response sensor technology (iTHERM StrongSens and QuickSens) and approval for use in hazardous areas



TM40x characterizes the device that uses basic technology, with features such as a fixed, non-replaceable insert, application in non-hazardous areas, standard extension neck, low-cost unit



Measuring principle

Resistance thermometer (RTD)

These resistance thermometers use a Pt100 temperature sensor according to IEC 60751. The temperature sensor is a temperature-sensitive platinum resistor with a resistance of 100 Ω at 0 °C (32 °F) and a temperature coefficient $\alpha = 0.003851 \text{ } ^\circ\text{C}^{-1}$.

There are generally two different kinds of platinum resistance thermometers:

- **Wire wound (WW):** Here, a double coil of fine, high-purity platinum wire is located in a ceramic support. This is then sealed top and bottom with a ceramic protective layer. Such resistance thermometers not only facilitate very reproducible measurements but also offer good long-term stability of the resistance/temperature characteristic within temperature ranges up to 600 °C (1 112 °F). This type of sensor is relatively large in size and it is comparatively sensitive to vibrations.
- **Thin film platinum resistance thermometers (TF):** A very thin, ultrapure platinum layer, approx. 1 µm thick, is vaporized in a vacuum on a ceramic substrate and then structured photolithographically. The platinum conductor paths formed in this way create the measuring resistance. Additional covering and passivation layers are applied and reliably protect the thin platinum layer from contamination and oxidation, even at high temperatures.

The primary advantages of thin film temperature sensors over wire wound versions are their smaller sizes and better vibration resistance. A relatively low principle-based deviation of the resistance/temperature characteristic from the standard characteristic of IEC 60751 can frequently be observed among TF sensors at high temperatures. As a result, the tight limit values of tolerance category A as per IEC 60751 can only be observed with TF sensors at temperatures up to approx. 300 °C (572 °F).


Thermocouples (TC)

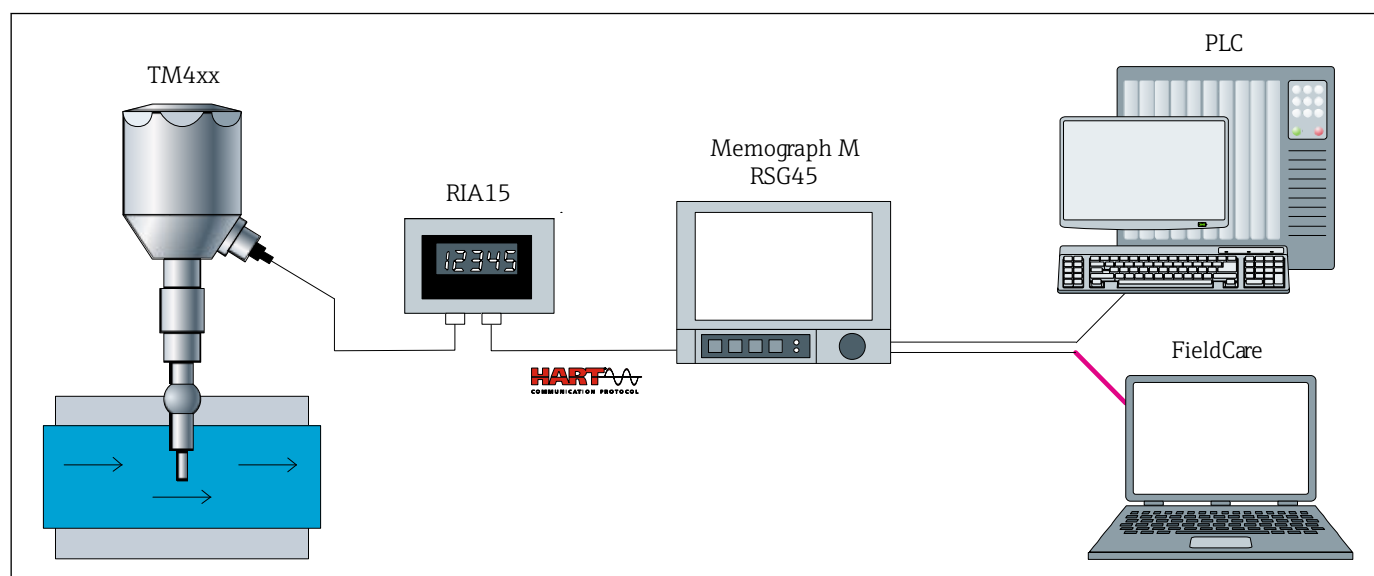
Thermocouples are comparatively simple, robust temperature sensors which use the Seebeck effect for temperature measurement: if two electrical conductors made of different materials are connected at a point, a weak electrical voltage can be measured between the two open conductor ends if the conductors are subjected to a thermal gradient. This voltage is called thermoelectric voltage or electromotive force (emf.). Its magnitude depends on the type of conducting materials and the temperature difference between the "measuring point" (the junction of the two conductors) and the "cold junction" (the open conductor ends). Accordingly, thermocouples primarily only measure differences in temperature. The absolute temperature at the measuring point can be determined from these if the associated temperature at the cold junction is known or is measured separately and compensated for. The material combinations and associated thermoelectric voltage/temperature characteristics of the most common types of thermocouple are standardized in the IEC 60584 and ASTM E230/ANSI MC96.1 standards.

Measuring system


Endress+Hauser offers a complete portfolio of optimized components for the temperature measuring point – everything you need for the seamless integration of the measuring point into the overall facility. This includes:

- Power supply unit/barrier
- Display units
- Data managers
- Overvoltage protection

 For more information, see the brochure 'System Products and Data Managers - Solutions for the loop' (FA00016K)






A0033768

 1 Example of application, measuring point layout with additional Endress+Hauser components

- iTHERM TM4x2: Installed RTD thermometer with integrated HART® head transmitter
- Display unit RIA15:
 - Display of 4 to 20 mA measured values or HART® process variables
 - Loop-powered
 - Voltage drop ≤1 V (HART® ≤1.9 V)
- Data Management Memograph M RSG45:
 - Tamper-proof data storage and access (FDA 21 CFR 11)
 - HART® gateway functionality; Up to 40 HART® devices connected at a time
 - Communication capabilities: Modbus, Profibus DP, PROFINET, EtherNet/IP
- PLC / FieldCare: Field Data Manager Software MS20 - Automatic service for report generation, printing reports, read out of data, storing of data, secure export, pdf generation Read out measured data via online interface or from mass storage Online visualization of instantaneous values ("live data") . More information on this can be found in the Technical Information, see "Documentation".

Modular design

| Design | Options |
|--------|---|
| | <p>1: Terminal head, housing → 29</p> <ul style="list-style-type: none"> ■ 316L, high or low head, optionally with display window ■ Aluminum, high or low head, with or without display window ■ Polypropylene, low head ■ Polyamide, high head, without display window ■ Field transmitter with display, as option <p>i Your benefits:</p> <ul style="list-style-type: none"> ■ Optimum terminal access thanks to low housing edge of bottom section: <ul style="list-style-type: none"> ■ Easier to use ■ Lower installation and maintenance costs ■ Optional display: local process display unit for added reliability ■ IP69K protection: optimum protection even with high-pressure cleaning |
| | <p>2: Wiring, electrical connection, output signal → 6</p> <ul style="list-style-type: none"> ■ Ceramic terminal block ■ Flying leads ■ Head transmitter (4 to 20 mA, HART®, PROFIBUS® PA, FOUNDATION™ Fieldbus), single-channel or two-channel ■ Attachable display (optional) ■ Field transmitter (HART®), two-channel input |
| | <p>3: Connector or cable gland → 32</p> <ul style="list-style-type: none"> ■ PROFIBUS® PA / FOUNDATION™ Fieldbus connector, 4-pin ■ 8-pin connector ■ Polyamide cable glands |
| | <p>4: Extension neck → 33</p> <ul style="list-style-type: none"> ■ Quick fastener iTHERM QuickNeck ■ Standard NPT ½" nipple ■ Hygienic nipple-union-nipple NPT ½" ■ UNEF thread 1-¼" x 18, for mounting in existing thermowell <p>i Your benefits:</p> <ul style="list-style-type: none"> ■ iTHERM QuickNeck - tool-free removal of the insert: <ul style="list-style-type: none"> ■ Saves time/costs on frequently calibrated measuring points ■ Wiring mistakes avoided ■ IP69K protection: safety under extreme process conditions ■ Hygienic nipple-union-nipple: <ul style="list-style-type: none"> ■ slim, hygienic construction design ■ allow for removal of insert without unwiring device |
| | <p>5: Process connection → 34</p> <p>Wide range of different versions.</p> |

| Design | Options |
|--------|---|
| | 6: Thermowell <ul style="list-style-type: none"> ▪ Various diameters ▪ Various tip shapes (straight or reduced) |
| | 7: Insert →  28 <p>Spring loaded sensor models: wire wound (WW) or thin-film sensor (TF).</p> <p> Your benefits:</p> <ul style="list-style-type: none"> ▪ iTHERM QuickSens - insert with the world's fastest response time: <ul style="list-style-type: none"> ▪ Insert: Ø3 mm (0.12 in) or Ø6 mm (0.24 in) ▪ Fast, highly accurate measurements, delivering maximum process safety and control ▪ Quality and cost optimization ▪ Minimization of necessary immersion length: better product protection thanks to improved process flow ▪ iTHERM StrongSens - insert with unbeatable durability: <ul style="list-style-type: none"> ▪ Vibration resistance > 60g: lower life cycle costs thanks to longer operating life and high plant availability ▪ Automated, traceable production: top quality and maximum process safety ▪ High long-term stability: reliable measured values and high level of system safety <p> Spring load of the insert = ½"</p> |

Input

Measured variable Temperature (temperature-linear transmission behavior)

Measuring range Depends on the type of sensor used

| Sensor type | Measuring range |
|---|-------------------------------------|
| Pt100 thin-film | -50 to +200 °C (-58 to +392 °F) |
| Pt100 thin-film, iTHERM StrongSens, vibration-resistant > 60g | -50 to +500 °C (-58 to +932 °F) |
| Pt100 thin-film, iTHERM QuickSens, fast-response | -50 to +200 °C (-58 to +392 °F) |
| Pt100 wire wound, extended measuring range | -200 to +600 °C (-328 to +1 112 °F) |

Output

Output signal Generally, the measured value can be transmitted in one of two ways:

- Directly-wired sensors - sensor measured values forwarded without a transmitter.
- Via all common protocols by selecting an appropriate Endress+Hauser iTEMP temperature transmitter. All the transmitters listed below are mounted directly in the terminal head or as field transmitter and wired with the sensory mechanism.

Family of temperature transmitters Thermometers fitted with iTEMP transmitters are an installation-ready complete solution to improve temperature measurement by significantly increasing accuracy and reliability, when compared to direct wired sensors, as well as reducing both wiring and maintenance costs.

PC programmable head transmitters

They offer a high degree of flexibility, thereby supporting universal application with low inventory storage. The iTEMP transmitters can be configured quickly and easily at a PC. Endress+Hauser offers

free configuration software which can be downloaded from the Endress+Hauser Website. More information can be found in the Technical Information.

HART® head transmitters

The transmitter is a 2-wire device with one or two measuring inputs and one analog output. The device not only transfers converted signals from resistance thermometers and thermocouples, it also transfers resistance and voltage signals using HART® communication. Swift and easy operation, visualization and maintenance using universal device configuration tools like FieldCare, DeviceCare or FieldCommunicator 375/475. Integrated Bluetooth® interface for the wireless display of measured values and configuration via E+H SmartBlue (app), optional. For more information, see the Technical Information.

PROFIBUS® PA head transmitters

Universally programmable head transmitter with PROFIBUS® PA communication. Conversion of various input signals into digital output signals. High accuracy over the complete ambient temperature range. The configuration of PROFIBUS PA functions and of device-specific parameters is performed via fieldbus communication. For more information, see the Technical Information.

FOUNDATION Fieldbus™ head transmitters

Universally programmable head transmitter with FOUNDATION Fieldbus™ communication. Conversion of various input signals into digital output signals. High accuracy over the complete ambient temperature range. All transmitters are released for use in all important process control systems. The integration tests are performed in Endress+Hauser's "System World". For more information, see the Technical Information.

Advantages of the iTEMP transmitters:


- Dual or single sensor input (optionally for certain transmitters)
- Unsurpassed reliability, accuracy and long-term stability in critical processes
- Mathematical functions
- Monitoring of the thermometer drift, sensor backup functionality, sensor diagnostic functions
- Sensor-transmitter matching for dual sensor input transmitter, based on Callendar/Van Dusen coefficients

Field transmitters

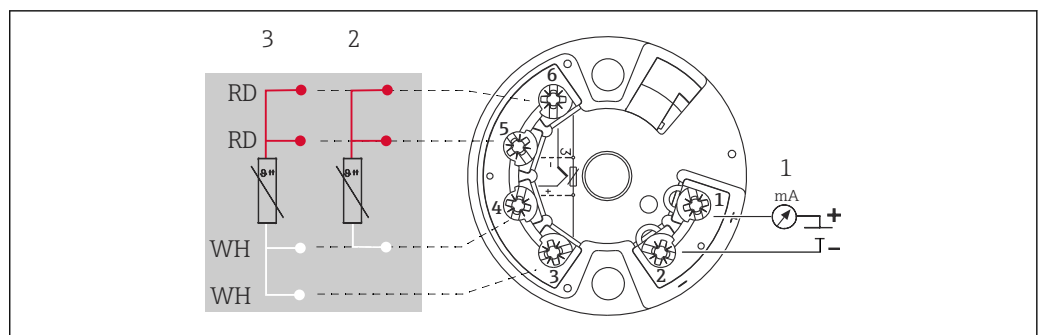
Field transmitter with HART® communication and backlit display. Can be read easily from a distance, in sunlight and at night. Large measurement value, bargraph and fault indication displayed. Benefits are: dual sensor input, highest reliability in harsh industrial environments, mathematic functions, thermometer drift monitoring and sensor back-up functionality, corrosion detection.

Power supply

Wiring diagrams for RTD

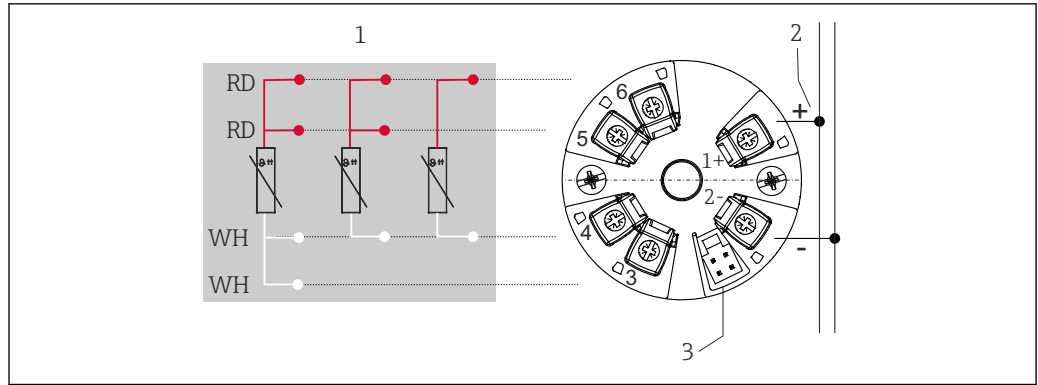
 According to the 3-A Sanitary Standard and the EHEDG, electrical connecting cables must be smooth, corrosion-resistant and easy to clean.

Type of sensor connection



 2 Head mounted transmitter TMT18x (single input). Only available with screw terminals.

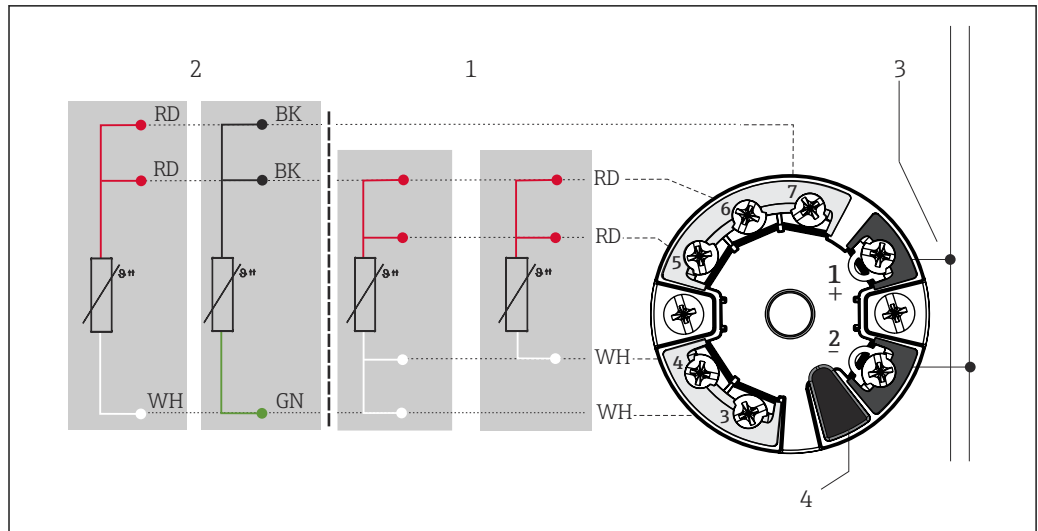
- 1 Power supply head transmitter and analog output 4 to 20 mA or bus connection
- 2 3-wire
- 3 4-wire



A0047173

3 Head mounted transmitter TMT31 (single input)

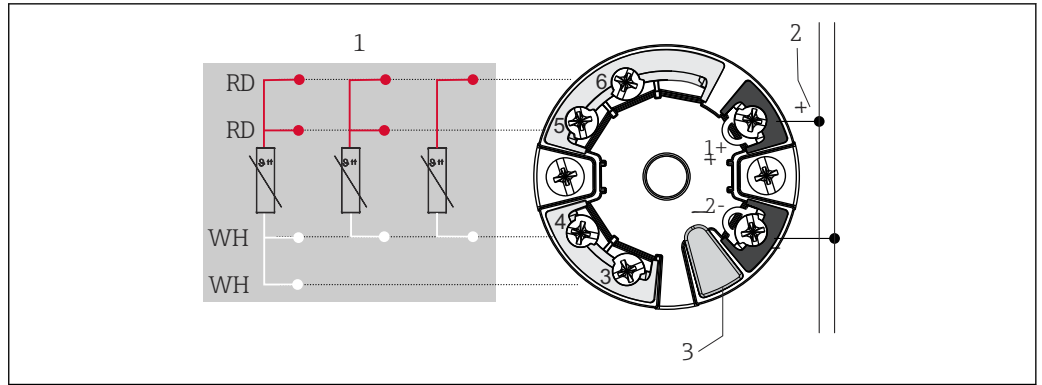
- 1 RTD sensor input: 4-, 3- and 2-wire
- 2 Power supply
- 3 CDI interface



A0045599

4 Head mounted transmitter TMT8x (dual input). Fitted with spring terminals if screw terminals are not explicitly selected.

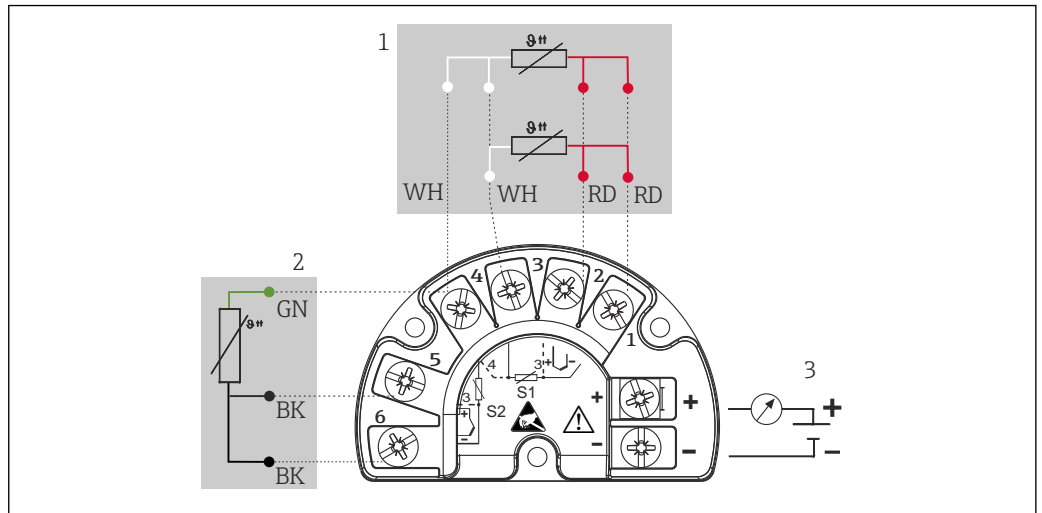
- 1 Sensor input 1, RTD, 4- and 3-wire
- 2 Sensor input 2, RTD, 3-wire
- 3 Bus connection and supply voltage
- 4 Display connection



A0045464

5 Head mounted transmitter TMT7x (single input). Fitted with spring terminals if screw terminals are not explicitly selected.

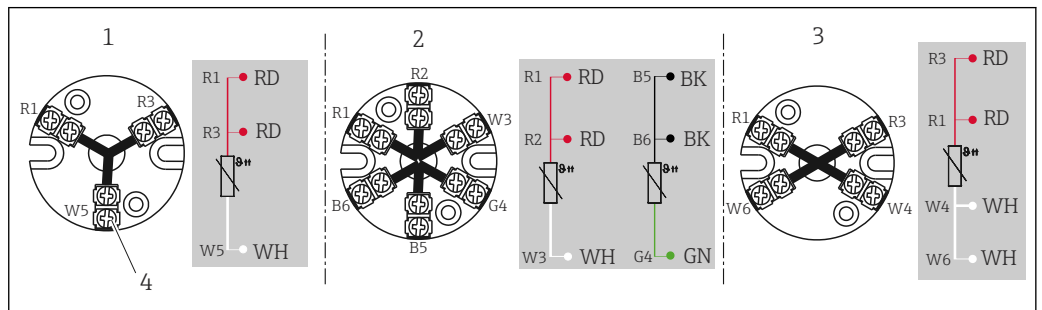
- 1 Sensor Input
- 2 Bus connection and supply voltage
- 3 Display connection



A0045732

6 Field mounted transmitter TMT162 (dual input)

- 1 Sensor 1
- 2 Sensor 2 (not TMT142B)
- 3 Power supply field transmitter and analog output 4 to 20 mA or bus connection



A0045627

7 Terminal block mounted

- 1 3-wire single
- 2 2 x 3-wire single
- 3 4-wire single
- 4 Outside screw

Cable entries

See the 'Terminal head' section

Connectors

Endress+Hauser offers a wide variety of connectors for the simple and fast integration of the thermometer into a process control system. The following tables show the PIN assignments of the various plug connector combinations.

Abbreviations

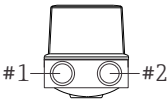
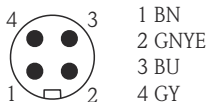
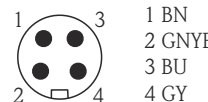
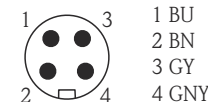
| #1 | Order: first transmitter/insert | #2 | Order: second transmitter/insert |
|------|--|----|----------------------------------|
| i | Insulated. Wires marked 'i' are not connected and are insulated with heat shrink tubes. | YE | Yellow |
| GND | Grounded. Wires marked 'GND' are connected to the internal grounding screw in the terminal head. | RD | Red |
| BN | Brown | WH | White |
| GNYE | Green-yellow | PK | Pink |
| BU | Blue | GN | Green |
| GY | Gray | BK | Black |

Terminal head with one cable entry

| Plug | 1x PROFIBUS PA | | | | | | | | 1x FOUNDATION™ Fieldbus (FF) | | | | 8-pin | | | | | | | |
|---|-------------------------------|-----------------------|-----------------------|-------------------|-----------------------|-----------------------|-----------------------|-------------------|---------------------------------|-----------------------|-----------------------|------|--------------------|----|----|----|----|----|----|---|
| Plug thread | M12 | | | | 7/8" | | | | 7/8" | | | | M12 | | | | | | | |
| PIN number | 1 | 2 | 3 | 4 | 1 | 2 | 3 | 4 | 1 | 2 | 3 | 4 | 1 | 2 | 3 | 4 | 5 | 6 | 7 | 8 |
| Electrical connection (terminal head) | | | | | | | | | | | | | | | | | | | | |
| Flying leads | Not connected (not insulated) | | | | | | | | | | | | | | | | | | | |
| 3-wire terminal block (1x Pt100) | RD | RD | WH | | RD | RD | WH | | RD | RD | WH | | RD | RD | WH | | i | | | |
| 4-wire terminal block (1x Pt100) | RD | RD | WH | WH | RD | RD | WH | WH | RD | RD | WH | WH | RD | RD | WH | WH | i | | | |
| 6-wire terminal block (2x Pt100) | RD (#1) ₁₎ | RD (#1) ₁₎ | WH (#1) ₁₎ | | RD (#1) ₁₎ | RD (#1) ₁₎ | WH (#1) ₁₎ | | RD (#1) ₁₎ | RD (#1) ₁₎ | WH (#1) ₁₎ | | RD | RD | WH | | BK | BK | YE | |
| 1x TMT 4 to 20 mA or HART® | + | i | - | i | + | i | - | i | + | i | - | i | + | i | - | i | i | | | |
| 2x TMT 4 to 20 mA or HART® in the terminal head with a high cover | + | + | - | - | + | + | - | - | + | + | - | - | + | + | - | - | + | i | - | i |
| 1x TMT PROFIBUS® PA | + | i | - | GND ₂₎ | + | i | - | GND ₂₎ | Cannot be combined | | | | Cannot be combined | | | | | | | |
| 2x TMT PROFIBUS® PA | + | (#1) | - | (#1) | + | (#1) | - | (#1) | Cannot be combined | | | | Cannot be combined | | | | | | | |
| 1x TMT FF | Cannot be combined | | | | Cannot be combined | | | | - | + | GND | i | Cannot be combined | | | | | | | |
| 2x TMT FF | Cannot be combined | | | | Cannot be combined | | | | - | + | (#1) | (#1) | Cannot be combined | | | | | | | |
| PIN position and color code | | | | | | | | | | | | | | | | | | | | |

1) Second Pt100 is not connected
 2) If a plastic housing TA30S or TA30P is used, insulated 'i' instead of grounded GND

Terminal head with two cable entries

| Plug | 2x PROFIBUS® PA | | | | | | | | 2x FOUNDATION™ Fieldbus (FF) | | | |
|---|--|-------|-----------------|-------------|---|-------|-----------------|-------------|--|-----------------|--------------------|-------------|
| Plug thread  <small>A0021706</small> | M12(#1) / M12(#2) | | | | 7/8"(#1) / 7/8"(#2) | | | | 7/8"(#1) / 7/8"(#2) | | | |
| PIN number | 1 | 2 | 3 | 4 | 1 | 2 | 3 | 4 | 1 | 2 | 3 | 4 |
| Electrical connection (terminal head) | | | | | | | | | | | | |
| Flying leads | Not connected (not insulated) | | | | | | | | | | | |
| 3-wire terminal block (1x Pt100) | RD/i | RD/i | WH/i | | RD/i | RD/i | WH/i | | RD/i | RD/i | WH/i | |
| 4-wire terminal block (1x Pt100) | | | WH/i | WH/i | | | WH/i | WH/i | | | WH/i | WH/i |
| 6-wire terminal block (2x Pt100) | RD/BK | RD/BK | WH/YE | | RD/BK | RD/BK | WH/YE | | RD/BK | RD/BK | WH/YE | |
| 1x TMT 4 to 20 mA or HART® | +/i | i/i | -/i | i/i | +/i | i/i | -/i | i/i | +/i | i/i | -/i | i/i |
| 2x TMT 4 to 20 mA or HART® in the terminal head with a high cover | +(#1)/ +(#2) | | -(#1)/ -(#2) | | +(#1)/ +(#2) | | -(#1)/ -(#2) | | +(#1)/ +(#2) | | -(#1)/ -(#2) | |
| 1x TMT PROFIBUS® PA | +/i | | -/i | | +/i | | -/i | | GND/G ND | | Cannot be combined | |
| 2x TMT PROFIBUS® PA | +(#1)/ +(#2) | | -(#1)/ -(#2) | GND/G ND | +(#1)/ +(#2) | | -(#1)/ -(#2) | GND/G ND | Cannot be combined | | | |
| 1x TMT FF | Cannot be combined | | | | Cannot be combined | | | | -/i | +/i | i/i | GND/G ND |
| 2x TMT FF | Cannot be combined | | | | Cannot be combined | | | | -(#1)/ -(#2) | +(#1)/ +(#2) | | |
| PIN position and color code |  <small>A0018929</small> | | | |  <small>A0018930</small> | | | |  <small>A0018931</small> | | | |


Connection combination: insert - transmitter

| Insert | Transmitter connection ¹⁾ | | | |
|--|---|---|--|--|
| | 1x 1-channel | 2x 1-channel ²⁾ | 1x 2-channel | 2x 2-channel ²⁾ |
| 1x Pt100, flying leads | Pt100 (#1) : transmitter (#1) | Pt100 (#1) : transmitter (#1) (Transmitter (#2) not connected) | Pt100 (#1) : transmitter (#1) | Pt100 (#1) : transmitter (#1) Transmitter (#2) not connected |
| 2x Pt100, flying leads | Pt100 (#1) : transmitter (#1) Pt100 (#2) insulated | Pt100 (#1) : transmitter (#1) Pt100 (#2) : transmitter (#2) | Pt100 (#1) : transmitter (#1) Pt100 (#2) : transmitter (#1) | Pt100 (#1) : transmitter (#1) Pt100 (#2) : transmitter (#1) (Transmitter (#2) not connected) |
| 1x Pt100 with terminal block ²⁾ | Pt100 (#1) : transmitter in cover | Cannot be combined | Pt100 (#1) : transmitter in cover | Cannot be combined |
| 2x Pt100 with terminal block ²⁾ | Pt100 (#1) : transmitter in cover Pt100 (#2) not connected | | Pt100 (#1) : transmitter in cover Pt100 (#2) : transmitter in cover | |

- 1) If 2 transmitters are selected in a terminal head, transmitter #1 is installed in the high cover. A TAG cannot be ordered for the 2nd transmitter as standard. The bus address is set to the default value and, if necessary, must be changed manually before commissioning.
- 2) Only in the terminal head with a high cover, only 1 transmitter possible. A ceramic terminal block is automatically fitted on the insert.

Overvoltage protection

To protect against overvoltage in the power supply and signal/communication cables for the thermometer electronics, Endress+Hauser offers the HAW562 surge arrester for DIN rail mounting and the HAW569 for field housing installation.

 For more information see the Technical Information 'HAW562 Surge arrester' TI01012K and 'HAW569 Surge arrester' TI01013K.

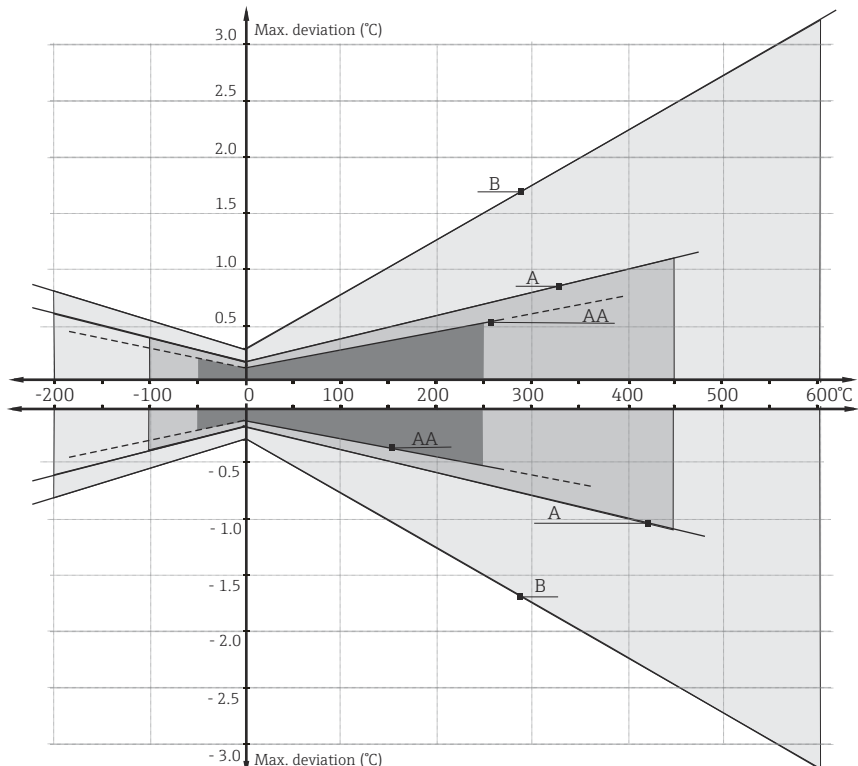
Performance characteristics

Reference conditions


These data are relevant for determining the accuracy of the temperature transmitters used. More information on this can be found in the Technical Information of the iTEMP temperature transmitters.

Maximum measured error

RTD resistance thermometer corresponding to IEC 60751

| Class | max. Tolerances (°C) | Characteristics |
|----------------------------------|------------------------------------|---|
| RTD maximum error type TF | | |
| Cl. A | $\pm (0.15 + 0.002 \cdot t ^{1})$ |  |
| Cl. AA, former 1/3 Cl. B | $\pm (0.1 + 0.0017 \cdot t ^{1})$ | |
| Cl. B | $\pm (0.3 + 0.005 \cdot t ^{1})$ | |

1) |t| = absolute value °C

 For measurement errors in °F, calculate using equations in °C, then multiply the outcome by 1.8.

Temperature ranges

| Sensor type | Operating temperature range | Class B | Class A | Class AA |
|-------------------|----------------------------------|---------|----------------------------------|-------------------------------|
| iTHERM StrongSens | -50 to 500 °C (-58 to 932 °F) | - | -30 to 300 °C (-22 to 572 °F) | 0 to 200 °C (32 to 392 °F) |
| iTHERM QuickSens | -50 to 200 °C (-58 to 392 °F) | - | -30 to 200 °C (-22 to 392 °F) | 0 to 200 °C (32 to 392 °F) |

| Sensor type | Operating temperature range | Class B | Class A | Class AA |
|------------------------------|--------------------------------------|----------------------------------|------------------------------------|----------------------------------|
| Pt100 thin film sensor (TF) | -50 to 200 °C (-58 to 392 °F) | -50 to 200 °C (-58 to 392 °F) | -30 to 200 °C (-22 to 392 °F) | - |
| Pt100 wire-wound sensor (WW) | -200 to 600 °C (-328 to 1 112 °F) | - | -100 to 450 °C (-148 to 842 °F) | -50 to 250 °C (-58 to 482 °F) |

Influence of ambient temperature

Depends on the head transmitter used. For details, see Technical Information.

Self heating

RTD elements are passive resistances that are measured using an external current. This measurement current causes a self-heating effect in the RTD element itself which in turn creates an additional measurement error. In addition to the measurement current, the size of the measurement error is also affected by the temperature conductivity and flow velocity of the process. This self-heating error is negligible when an Endress+Hauser iTEMP temperature transmitter (very small measurement current) is connected.

Response time

Tests in water at 0.4 m/s (1.3 ft/s), according to IEC 60751; 10 K temperature step change.

Response time without heat transfer paste ¹⁾

| Thermowell | Shape of tip | Insert | 1x Pt100 iTHERM QuickSens, TF | | 1x Pt100 iTHERM StrongSens, TF | | 1x Pt100 wire wound WW | | 2x Pt100 wire wound WW | | 1x Pt100 standard thin-film TF | | 2x Pt100 standard thin-film TF | |
|-------------------|--|-------------------|-------------------------------|-----------------|--------------------------------|-----------------|------------------------|-----------------|------------------------|-----------------|--------------------------------|-----------------|--------------------------------|-----------------|
| | | | t ₅₀ | t ₉₀ | t ₅₀ | t ₉₀ | t ₅₀ | t ₉₀ | t ₅₀ | t ₉₀ | t ₅₀ | t ₉₀ | t ₅₀ | t ₉₀ |
| ∅6.35 mm (1/4 in) | Reduced 4.76 mm (3/16 in) x 19.05 mm (0.75 in) | ∅3 mm (0.12 in) | 1.6 s | 5.9 s | - | - | 7.8 s | 21.8 s | 7.8 s | 21.8 s | - | - | - | - |
| ∅9.53 mm (3/8 in) | Straight | ∅6 mm (0.24 in) | 8.5 s | 47 s | 25.9 s | 80.9 s | - | - | - | - | - | - | - | - |
| | Straight | ∅6.35 mm (1/4 in) | - | - | - | - | 23.6 s | 67 s | 21.8 s | 65.2 s | 18.4 s | 55.8 s | 18.4 s | 55.8 s |
| ∅ | Reduced 4.76 mm (3/16 in) x 19.05 mm (0.75 in) | ∅3 mm (0.12 in) | 1.5 s | 5.5 s | - | - | 8.4 s | 23 s | 8.4 s | 23 s | - | - | - | - |
| | Straight | ∅6 mm (0.24 in) | 8.2 s | 34.8 s | 23.4 s | 70.6 s | - | - | - | - | - | - | - | - |
| | Straight | ∅6.35 mm (1/4 in) | - | - | - | - | 20.1 s | 55.4 s | 21.3 s | 61.8 s | 17.9 s | 51.5 s | 17.9 s | 51.5 s |
| | Reduced 4.76 mm (3/16 in) x 19.05 mm (0.75 in) | ∅3 mm (0.12 in) | 1.8 s | 6.2 s | - | - | 8.8 s | 24.1 s | 8.8 s | 24.1 s | - | - | - | - |

1) If using a thermowell.



Response time for directly wired insert without transmitter.

Calibration

Calibration of thermometers

Calibration involves comparing the measured values of a device under test (DUT) with those of a more precise calibration standard using a defined and reproducible measurement method. The aim is to determine the deviation of the DUT's measured values from the true value of the measured variable. Two different methods are used for thermometers:

- Calibration at fixed-point temperatures, e.g. at the freezing point of water at 0 °C,
- Calibration compared against a precise reference thermometer.

The thermometer to be calibrated must display the fixed point temperature or the temperature of the reference thermometer as accurately as possible. Temperature-controlled calibration baths with very homogeneous thermal values, or special calibration furnaces into which the DUT and the reference thermometer, where necessary, can project to a sufficient degree, are typically used for thermometer calibrations.

The measurement uncertainty can increase due to heat dissipation errors and short immersion lengths. The existing measurement uncertainty is listed on the individual calibration certificate.

For accredited calibrations according to ISO17025, the measurement uncertainty shouldn't be twice as high as the accredited measurement uncertainty. If this is exceeded, only a factory calibration can be performed.

Evaluation of thermometers

If a calibration with an acceptable uncertainty of measurement and transferable measurement results is not possible, Endress+Hauser offers customers a thermometer evaluation measurement service, if technically feasible. This is the case when:

- The process connections/flanges are too big or the immersion length (IL) is too short to allow the DUT to be immersed sufficiently in the calibration bath or furnace (see the following table), or
- Due to heat conduction along the thermometer tube, the resulting sensor temperature generally deviates significantly from the actual bath/furnace temperature.

The measured value of the DUT is determined using the maximum possible immersion depth and the specific measuring conditions and measurement results are documented on an evaluation certificate.

Sensor transmitter matching

The resistance/temperature curve of platinum resistance thermometers is standardized but in practice it is rarely possible to keep to the values precisely over the entire operating temperature range. For this reason, platinum resistance sensors are divided into tolerance classes, such as Class A, AA or B as per IEC 60751. These tolerance classes describe the maximum permissible deviation of the specific sensor characteristic curve from the standard curve, i.e. the maximum temperature-dependent characteristic error that is permitted. The conversion of measured sensor resistance values to temperatures in temperature transmitters or other meter electronics is often susceptible to considerable errors as the conversion is generally based on the standard characteristic curve.

When using temperature transmitters from Endress+Hauser, this conversion error can be reduced significantly by sensor-transmitter matching:

- Calibration at three temperatures at least and determination of the actual temperature sensor characteristic curve,
- Adjustment of the sensor-specific polynomial function using Calendar-van Dusen (CvD) coefficients,
- Configuration of the temperature transmitter with the sensor-specific CvD coefficients for resistance/temperature conversion, and
- another calibration of the reconfigured temperature transmitter with connected resistance thermometer.

Endress+Hauser offers this kind of sensor-transmitter matching as a separate service. Furthermore, the sensor-specific polynomial coefficients of platinum resistance thermometers are always provided on every Endress+Hauser calibration certificate where possible, e.g. at least three calibration points, so that users themselves can also appropriately configure suitable temperature transmitters.

For the device, Endress+Hauser offers standard calibrations at a reference temperature of -20 to +500 °C (-4 to +932 °F) based on the ITS90 (International Temperature Scale). Calibrations in other temperature ranges are available from your Endress+Hauser sales center on request. Calibrations are traceable to national and international standards. The calibration certificate is referenced to the serial number of the device. Only the insert is calibrated.

Minimum insertion length (IL) for inserts required to perform a correct calibration

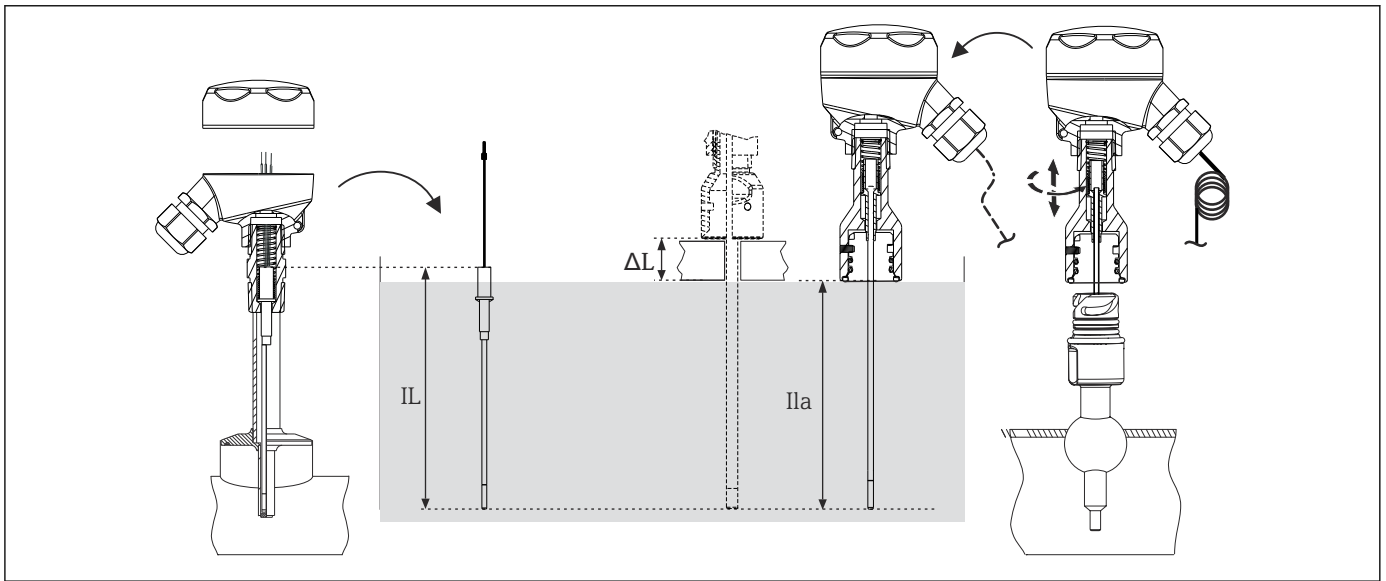
Due to restrictions of the bath geometries, minimum immersion lengths must be maintained at high temperatures in order to be able to perform a calibration with acceptable measurement uncertainty. The same applies when a temperature head transmitter is used. Due to the heat dissipation,

minimum immersion lengths must be maintained in order to ensure the functionality of the transmitter -40 to +85 °C (-40 to +185 °F).

Minimum insertion length (IL):

| Calibration temperature | Minimum immersion length (IL) |
|-------------------------------------|------------------------------------|
| -196 °C (-320.8 °F) | 120 mm (4.72 in) ¹⁾ |
| +80 to +250 °C (+112 to +482 °F) | No minimum immersion length needed |
| +251 to +550 °C (+483 to +1022 °F) | 300 mm (11.8 in) |
| +551 to +600 °C (+1023 to +1112 °F) | 400 mm (15.8 in) |

1) with temperature head transmitter min. 150 mm (5.91 in) needed



A0033648

8 Insertion lengths for sensor calibration

IL Insertion length for factory calibration or recalibration onsite without the iTHERM QuickNeck extension neck

ILa Insertion length for recalibration onsite with the iTHERM QuickNeck extension neck

ΔL Additional length, depending on the calibration unit, if the insert cannot be fully immersed

- To check the actual accuracy rating of the thermometers installed, a cyclic calibration of the installed sensor needs to be performed frequently. The insert is normally removed for comparison with a precise reference thermometer in the calibration bath (see graphic, left part). A reproducible calibration requires the insert to have a minimum insertion length *IL*. If the insert is shorter than this minimum length, this reproducibility cannot be guaranteed.
- The iTHERM QuickNeck enables quick, tool-free removal of the insert for calibration purposes. The entire upper part of the thermometer is released by turning the terminal head. The insert is removed from the thermowell and directly immersed into the calibration bath (see graphic, right part). Make sure that the cable is long enough to be able to reach the mobile calibration bath with the cable connected. If this is not possible for the calibration, it is advisable to use a connector.
→ 32

Advantages of iTHERM QuickNeck:

- Considerable time savings when recalibrating the device (up to 20 minutes per measuring point)
- Wiring mistakes avoided when re-installing
- Minimum plant downtime, thereby saving costs



The minimum immersion length is the length of the insert that is fully immersed in the calibration bath. For a valid recalibration, the value selected for the length ILa must be at least the value of the previously defined minimum insertion lengths (IL) of the specific types of insert. For more detailed values, see the previous tables, values without head transmitter. If the calibration unit used does not allow the insert to be fully immersed as far as the bottom edge of the top part of the iTHERM QuickNeck, it might be necessary to add an additional length (ΔL) to ILa. → 14

Formulas for calculating the ILa when recalibrating onsite with iTHERM QuickNeck¹⁾

| Thermowell version | Formula |
|--------------------------------------|----------------------------------|
| Thermowell diameter 6.35 mm (1/4 in) | ILa = U + T + 19.05 mm (0.75 in) |
| Thermowell diameter 9.53 mm (3/8 in) | |
| Thermowell diameter 12.7 mm (1/2 in) | |

1) Spring load of the insert 1/2 in

Insulation resistance

Insulation resistance $\geq 100 \text{ M}\Omega$ at ambient temperature, measured between the terminals and the outer jacket with a minimum voltage of $100 \text{ V}_{\text{DC}}$.

Installation

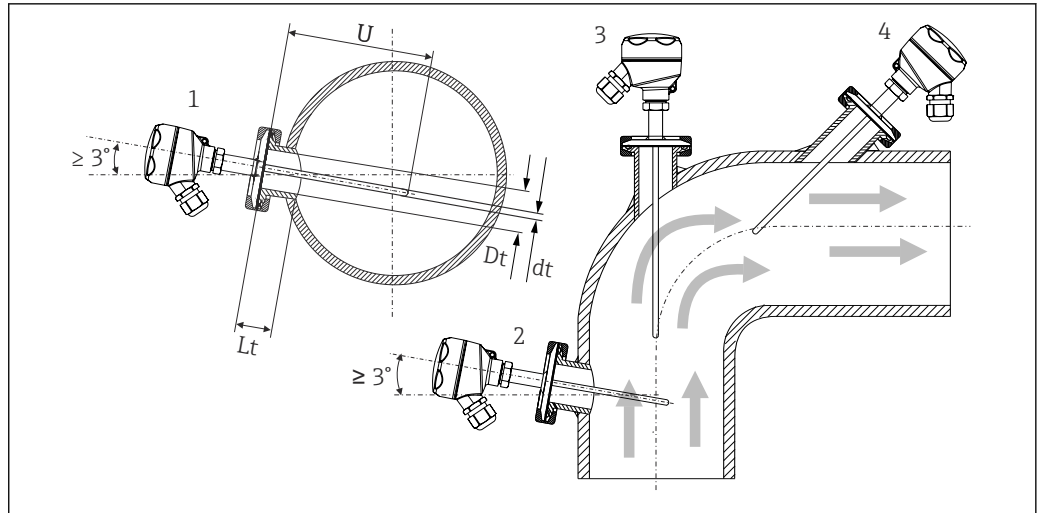
Orientation

No restrictions. However, self-draining in the process must be guaranteed. If there is an opening to detect leaks at the process connection, this opening must be at the lowest possible point.

Installation instructions

The immersion length of the thermometer can influence the accuracy. If the immersion length is too small then errors in the measurement are caused by heat conduction via the process connection and the container wall. If installing into a pipe then the immersion length should ideally be half of the pipe diameter.

- Installation possibilities: Pipes, tanks or other plant components
- To minimize the error caused by heat conduction, a minimum immersion length is recommended depending on the type of sensor used and the design of the insert. This immersion depth corresponds to the minimum insertion length for the calibration. → 14
- ATEX certification: Observe the installation instructions in the Ex documentation!



A0008946

9 Installation examples

- 1, 2 Perpendicular to flow direction, installed at a minimum angle of 3° to ensure self-draining
- 3 On elbows
- 4 Inclined installation in pipes with a small nominal diameter
- U Immersion length

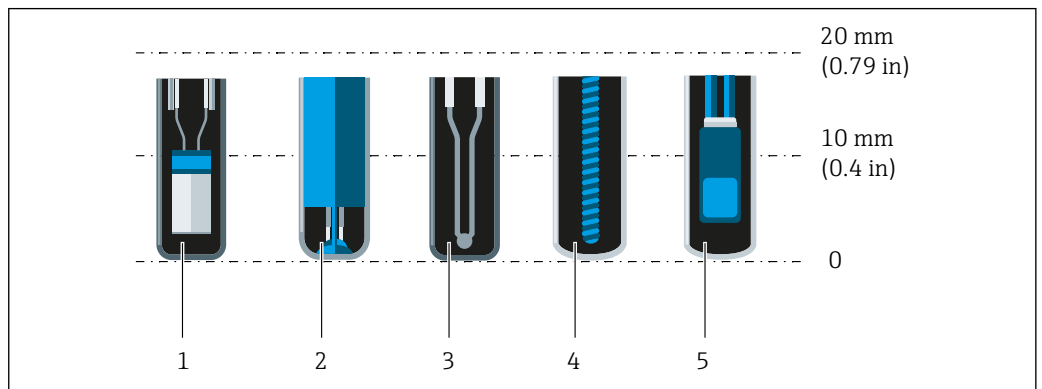
i The requirements of the EHEDG and the 3-A Sanitary Standard must be adhered to.

Installation instructions EHEDG/cleanability: $Lt \leq (Dt-dt)$

Installation instructions 3-A/cleanability: $Lt \leq 2(Dt-dt)$

i In the case of pipes with a small nominal diameter, it is advisable for the tip of the thermometer to project well into the process so that it extends past the pipe axis. Installation at an angle (4) could be another solution. When determining the immersion length or installation depth all the parameters of the thermometer and of the medium to be measured must be taken into account (e.g. flow velocity, process pressure).

Pay attention to the exact position of the sensor element in the thermometer tip.



A0041814

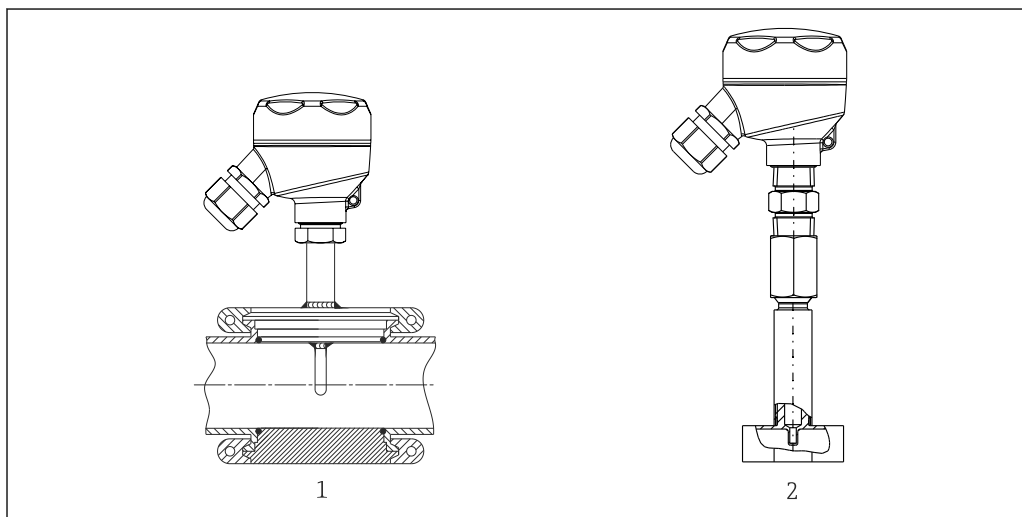
- 1 StrongSens or TrustSens at 5 to 7 mm (0.2 to 0.28 in)
- 2 QuickSens at 0.5 to 1.5 mm (0.02 to 0.06 in)
- 3 Thermocouple (not grounded) at 3 to 5 mm (0.12 to 0.2 in)
- 4 Wire wound sensor at 5 to 20 mm (0.2 to 0.79 in)
- 5 Standard thin-film sensor at 5 to 10 mm (0.2 to 0.39 in)

To keep the influence of heat dissipation to a minimum and to achieve the best possible measurement results, 20 to 25 mm (0.79 to 0.98 in) should be in contact with the medium in addition to the actual sensor element.

This results in the following recommended minimum immersion lengths

- TrustSens or StrongSens 30 mm (1.18 in)
- QuickSens 25 mm (0.98 in)
- Wire wound sensor 45 mm (1.77 in)
- Standard thin-film sensor 35 mm (1.38 in)

It is particularly important to take this into consideration for T-pieces, as the immersion length is very short on account of their design, and the measured error is higher as a result. It is therefore recommended to use elbow pieces with QuickSens sensors.

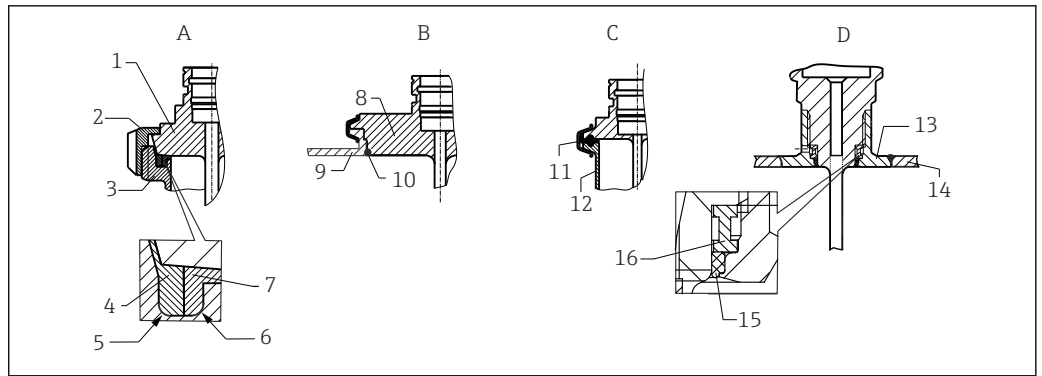


A0050343

10 Process connections for thermometer installation in pipes with small nominal diameters

1 Varivent® process connection type N for DN40

2 Tee or elbow thermowell (illustrated) for weld-in as per DIN 11865 / ASME BPE



11 Detailed installation instructions for hygiene-compliant installation

- A** Milk pipe connection according to DIN 11851, only in connection with EHEDG certified and self-centering sealing ring
- 1 Sensor with milk pipe connection
 - 2 Groove slip-on nut
 - 3 Counterpart connection
 - 4 Centering ring
 - 5 R0.4
 - 6 R0.4
 - 7 Sealing ring
- B** Varivent® process connection for VARINLINE® housing
- 8 Sensor with Varivent connection
 - 9 Counterpart connection
 - 10 O-ring
- C** Clamp according to ISO 2852
- 11 Molded seal
 - 12 Counterpart connection
- D** Process connection Liquiphant-M G1", horizontal installation
- 13 Weld-in adapter
 - 14 Vessel wall
 - 15 O-ring
 - 16 Thrust collar

NOTICE

The following actions must be taken if a sealing ring (O-ring) or seal fails:

- ▶ The thermometer must be removed.
- ▶ The thread and the O-ring joint/sealing surface must be cleaned.
- ▶ The sealing ring or seal must be replaced.
- ▶ CIP must be performed after installation.


In the case of weld-in connections, exercise the necessary degree of care when performing the welding work on the process side:

1. Use suitable welding material.
2. Flush-weld or weld with welding radius ≥ 3.2 mm (0.13 in).
3. Avoid crevices, folds or gaps.
4. Ensure the surface is honed and polished, $R_a \leq 0.76$ μm (30 μin).

Pay attention to the following when installing the thermometer to ensure that the cleanability is not affected:

1. The installed sensor is suitable for CIP (cleaning in place). Cleaning is performed together with the pipe or tank. In the case of internal tank fixtures using process connection nozzles, it is important to ensure that the cleaning assembly directly sprays this area so that it is cleaned properly.
2. The Varivent® couplings enable flush-mount installation.

Environment

| Ambient temperature range | Terminal head | Temperature in °C (°F) |
|---------------------------|---|---|
| | Without mounted head transmitter | Depends on the terminal head used and the cable gland or fieldbus connector, see 'Terminal heads' section →  29 |
| | With mounted head transmitter | -40 to 85 °C (-40 to 185 °F) SIL mode (HART 7 transmitter): -40 to 70 °C (-40 to 158 °F) |
| | With mounted head transmitter and display | -20 to 70 °C (-4 to 158 °F) |
| | With mounted field transmitter | <ul style="list-style-type: none"> ■ Without display: -40 to 85 °C (-40 to 185 °F) ■ With display: -40 to +80 °C (-40 to +176 °F) ■ SIL mode: -40 to +75 °C (-40 to +167 °F) |

| Extension neck | Temperature in °C (°F) |
|------------------|---------------------------------|
| iTHERM QuickNeck | -50 to +140 °C (-58 to +284 °F) |

Storage temperature For information, see the ambient temperature.

Humidity Depends on the transmitter used. If Endress+Hauser iTEMP head transmitters are used:

- Condensation permitted as per IEC 60 068-2-33
- Maximum relative humidity: 95% as per IEC 60068-2-30

Climate class As per EN 60654-1, Class C

Degree of protection Max. IP69K, depending on the design (terminal head, connector, etc.)

Shock and vibration resistance The Endress+Hauser inserts meet the requirements of IEC 60751 which specify shock and vibration resistance of 3g in the range from 10 to 500 Hz. The vibration resistance at the measuring point depends on the sensor type and design, see the following table:

| Version | Vibration resistance for the sensor tip |
|---|---|
| Pt100 (WW or TF) | 30 m/s ² (3g) ¹⁾ |
| iTHERM StrongSens Pt100 (TF) iTHERM QuickSens Pt100 (TF), version: Ø6 mm (0.24 in) | > 600 m/s ² (60g) |


1) Vibration resistance also applies for the quick-fastening iTHERM QuickNeck.


Electromagnetic compatibility (EMC) Depends on the head transmitter used. For details see the Technical Information.

Process

Process temperature range Depends on the type of sensor used, maximum -200 to +600 °C (-328 to +1112 °F).

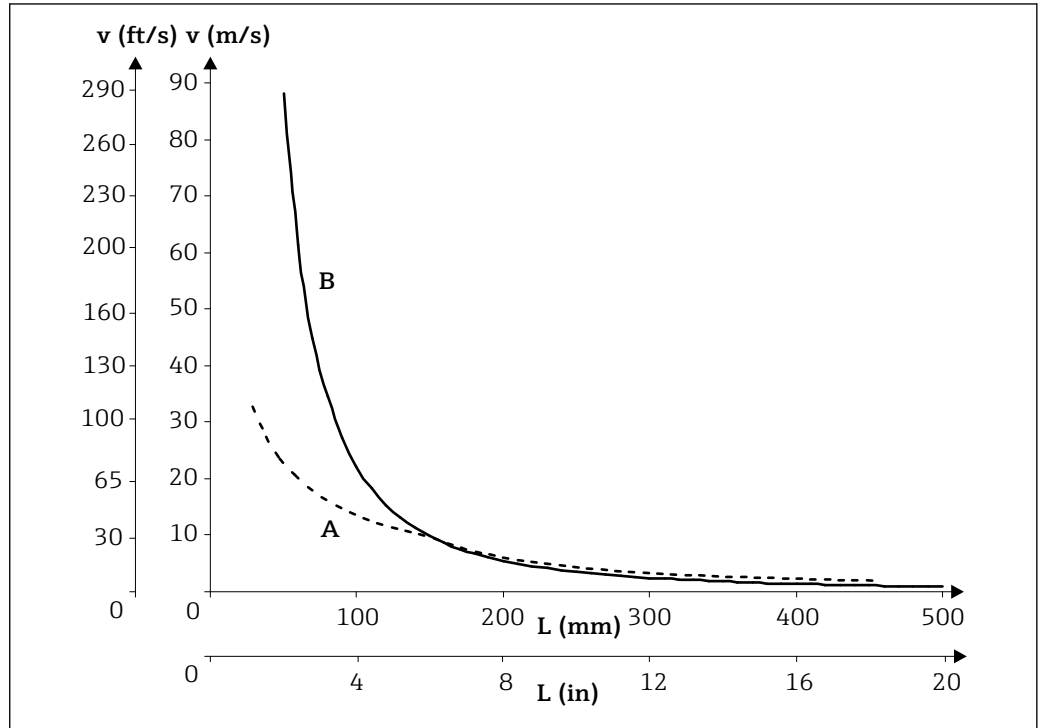
Thermal shock Thermal shock resistance in CIP/SIP process with a temperature increase from +5 to +130 °C (+41 to +266 °F) within 2 seconds.

Process pressure range The maximum possible process pressure depends on various influencing factors, such as the design, process connection and process temperature. For information on the maximum possible process pressures for the individual process connections, see the 'Process connection' section. →  34

 It is possible to check the mechanical loading capacity as a function of the installation and process conditions online in the Thermowell (TW) Sizing Module for thermowells in the Endress+Hauser Applicator software. See 'Accessories' section.

Example of the permitted flow velocity depending on the immersion length and process medium

The highest flow velocity tolerated by the thermometer diminishes with increasing insert immersion length exposed to the stream of the fluid. In addition it is dependent on the diameter of the thermometer tip, on the kind of measuring medium, on the process temperature and on the process pressure. The following figures exemplify the maximum permitted flow velocities in water and superheated steam at a process pressure of 40 bar (580 PSI).



12 Permitted flow velocities, thermowell diameter 9.53 mm (3/8 in)

- A Medium water at $T = 50\text{ °C}$ (122 °F)
- B Medium superheated steam at $T = 400\text{ °C}$ (752 °F)
- L Immersion length exposed to flow
- v Flow velocity

Medium - state of aggregation

Gaseous or liquid (also with high viscosity, e.g. yogurt).

Mechanical construction

Design, dimensions

All dimensions in mm (in). The design of the thermometer depends on the thermowell version used:

- Thermometer without thermowell - for installation in an existing thermowell
- Diameter 6.35 mm ($\frac{1}{4}$ in)
- Diameter 9.53 mm ($\frac{3}{8}$ in)
- Diameter 12.7 mm ($\frac{1}{2}$ in)
- Tee and elbow thermowell version as per DIN 11865 / ASME BPE for weld-in

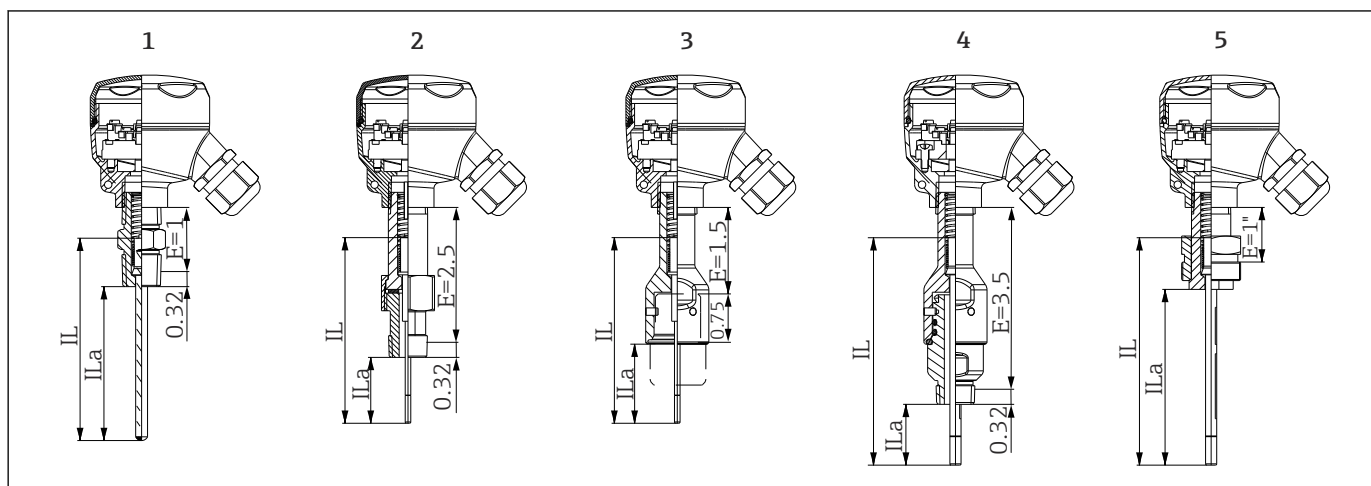
i Various dimensions, such as the immersion length U for example, are variable values and are therefore indicated as items in the following dimensional drawings.

Variable dimensions:

| Item | Description |
|------|--|
| E | Extension neck length, variable depending on the configuration or predefined for the version with iTHERM QuickNeck |
| ILa | Insertion length |
| L | Thermowell length (U+T) |
| B | Thermowell base thickness: predefined, depends on thermowell version (see also the individual table data) |
| T | Length of thermowell shaft: variable or predefined, depends on thermowell version (see also the individual table data) |
| U | Immersion length: variable, depending on the configuration |
| ØID | Insert diameter 6 mm (0.24 in), 3 mm (0.12 in) or 6.35 mm ($\frac{1}{4}$ in) |

Without thermowell

For installation in an existing thermowell (all dimensions in in)



A0034489

- 1 Thermometer with extension hex nipple, for connection thread $\frac{1}{2}$ " NPT
 - 2 Thermometer with extension nipple union nipple (NUN), for connection thread $\frac{1}{2}$ " NPT
 - 3 Thermometer with quick-fastening iTHERM QuickNeck, upper part
 - 4 Thermometer with quick-fastening iTHERM QuickNeck complete, for connection thread $\frac{1}{2}$ " NPT
 - 5 Thermometer with $1\frac{1}{4}$ " x 18 UNEF thread
- IL Insert length
 ILa Insertion length (insert length below nipple)
 E Length of the extension neck available at point of installation (provided one is available)

i The spring travel of the insert is $\frac{1}{2}$ ".

Pay attention to the following equations when calculating the insert length ILa for immersion into a thermowell TT412 already available:

| | |
|-----------------------|---|
| Version 1, 2, 4 and 5 | $ILa = U + T + 38.1 \text{ mm (1.5 in)}^{1)}$ |
| Version 3 | $ILa = U + T + 19.05 \text{ mm (0.75 in)}^{1)}$ |

- 1) ILa = Insertion length (insert length below nipple); U = Thermowell immersion length; T = Thermowell shaft length

Pay attention to the following equations when calculating for a replaceable insert:

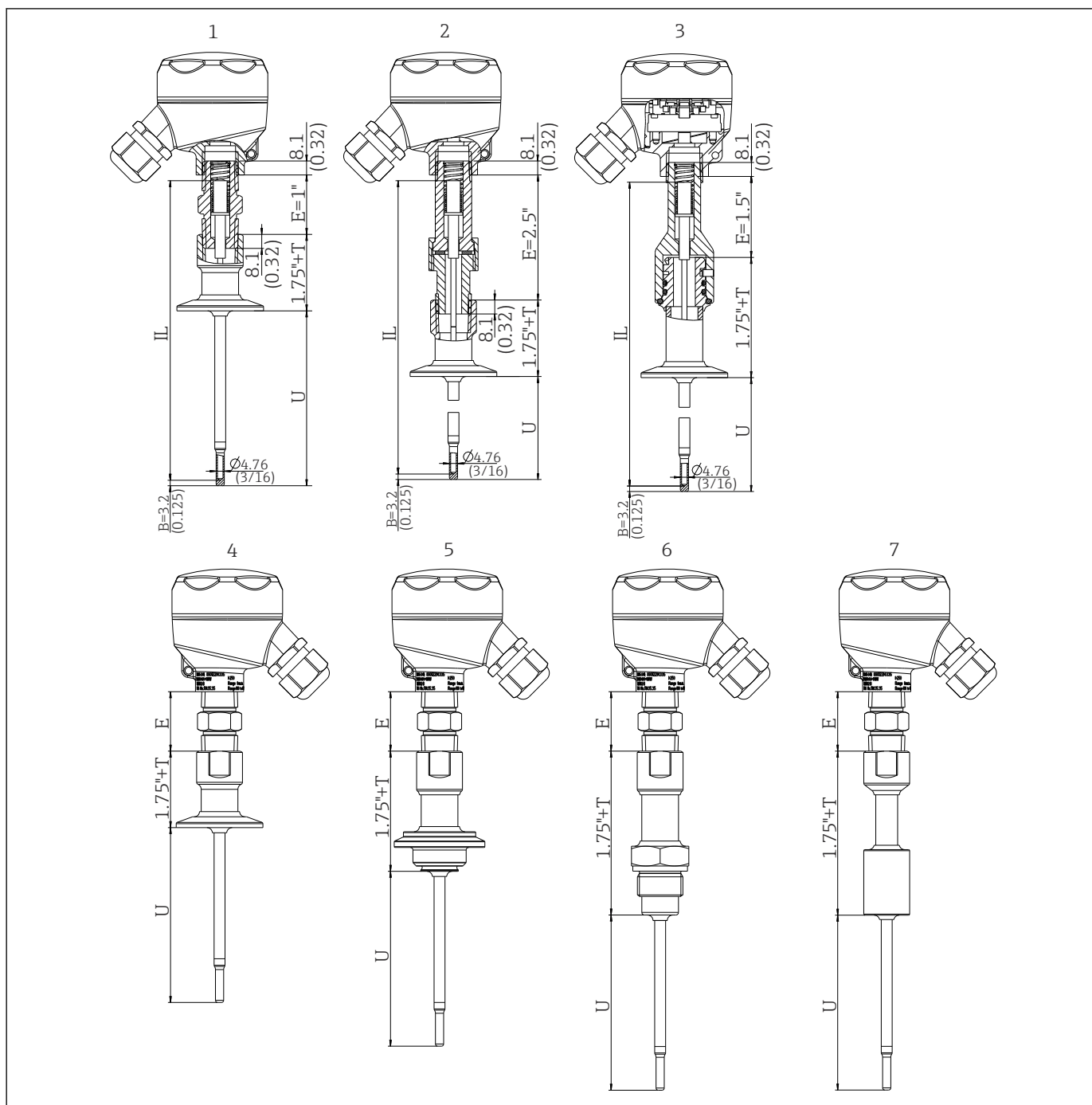
| | |
|-----------------------|--|
| | $IL = U + T + E + 38.1 \text{ mm (1.5 in)}^{1)}$ |
| Version 1, 2, 4 and 5 | $IL = ILa + E^{2)}$ |
| Version 3 | $IL = ILa + 19.05 \text{ mm (0.75 in)} + E^{2)}$ |

- 1) IL = Insert length; U = Thermowell immersion length; T = Thermowell shaft length; E = Length of the extension neck
 2) IL = Insert length; ILa = insertion length (insert length below nipple); E = Length of the extension neck

The iTHERM TS212 insert is available as a spare part. The insert length (IL) depends on the immersion length of the thermowell (U), the length of the extension neck (E) and the length of the thermowell shaft (T). The insertion length (IL) must be taken into consideration when replacing the unit.

This can be calculated by means of the following formula: $IL = U + T + E + 38.1 \text{ mm (1.5 in)}$

With thermowell (1/4", 3/8", 1/2")



A0034495

13 Thermowell with neck connection NPT 1/2" and various process connection versions:

- 1 Thermometer with extension hex nipple and Tri-clamp process connection
 - 2 Thermometer with extension nipple union nipple (NUN) and Tri-clamp process connection
 - 3 Thermometer with quick-fastening iTHERM QuickNeck and Tri-clamp process connection
 - 4 Thermometer with extension hex nipple and Tri-clamp process connection
 - 5 Thermometer with extension hex nipple and Varivent® process connection
 - 6 Thermometer with extension hex nipple and Liquiphant adapter
 - 7 Thermometer with cylindrical weld-in adapter
- IL Insert length
U Thermowell immersion length

E Length of the extension neck available at point of installation (provided one is available)
T Thermowell shaft length
B Base thickness



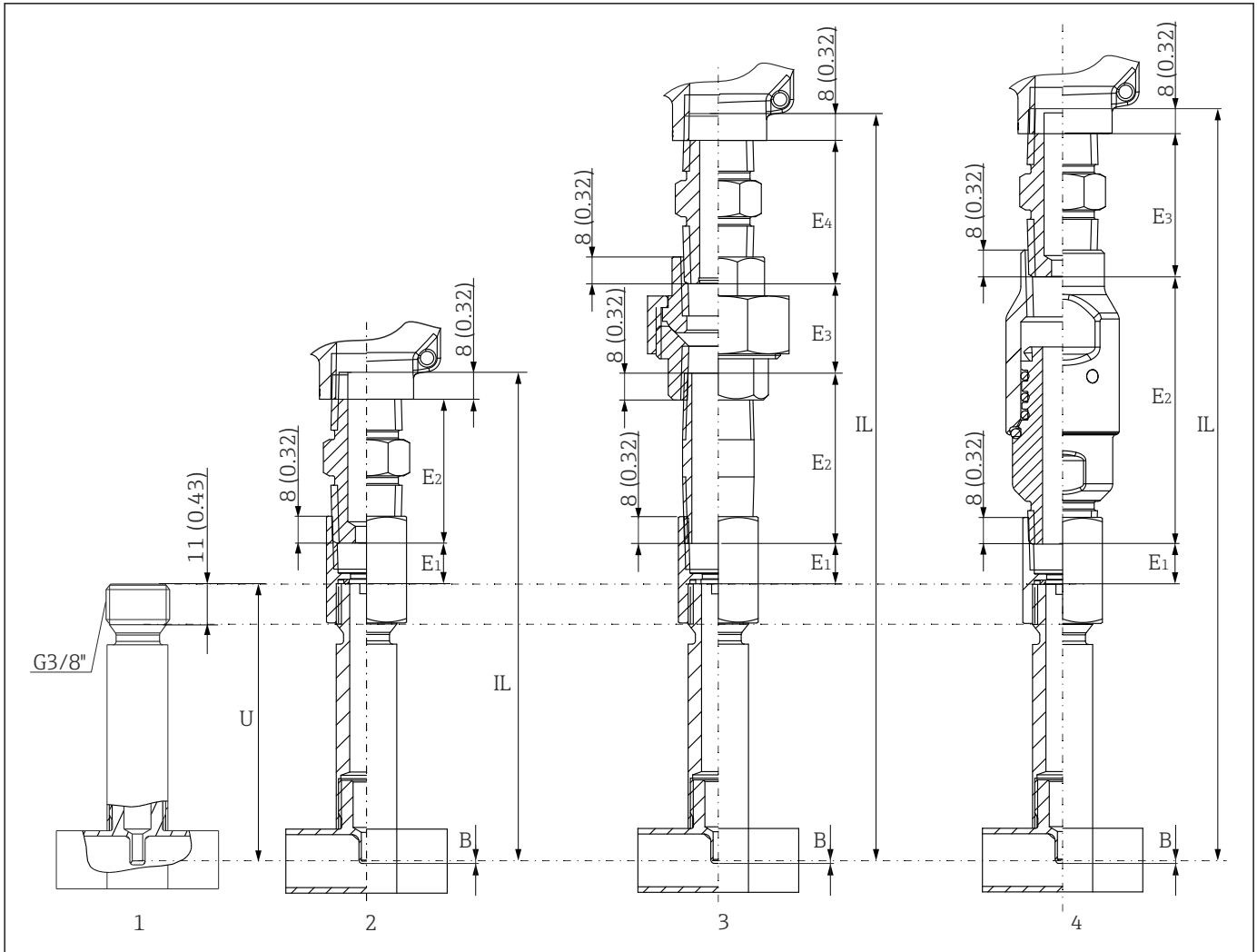
For diameter 1/2" not available: Tri-clamp 3/4"

| Item | Version | Length |
|--|--|--|
| Length of thermowell shaft T ¹⁾ | Version 1, 2, 4: Tri-clamp with NPT | 0-6" |
| | Version 3: Tri-clamp with QuickNeck | 1-6" |
| | Version 5: Varivent® with NPT | 1-6" |
| | Version 5: Varivent® with QuickNeck | 1.5-6" |
| | Version 6: Thread ISO 228 for Liquiphant, with NPT | 2-6" |
| | Version 6: Thread ISO 228 for Liquiphant, with QuickNeck | 2-6" |
| | Version 7: Cylindrical weld-in with NPT | 2-6" |
| | Version 7: Cylindrical weld-in with QuickNeck | 2-6" |
| Immersion length U | Independent of the version | Variable, depending on the configuration |
| Base thickness B | 6.35 mm (1/4 in) Thermowell: Reduced tip $\varnothing 4.76$ mm (3/16 in) | 3.2 mm (0.125 in) |
| | 9.53 mm (3/8 in) Thermowell: Reduced tip $\varnothing 4.76$ mm (3/16 in) Straight tip | 3.2 mm (0.125 in) 3 mm (0.12 in) |
| | 12.7 mm (1/2 in) Thermowell: Reduced tip $\varnothing 4.76$ mm (3/16 in) Straight tip | 3.2 mm (0.125 in) 6.3 mm (0.25 in) |
| Extension neck length E | Version 1: Thermometer with extension hex nipple and Tri-clamp process connection | E = 25.4 mm (1 in) |
| | Version 2: Thermometer with extension nipple union nipple (NUN) and Tri-clamp process connection | E = 63.5 mm (2.5 in) |
| | Version 3: Thermometer with quick-fastening iTHERM QuickNeck and Tri-clamp process connection | E = 38.1 mm (1.5 in) |

1) Depends on the process connection

Tee or elbow thermowell, optimized

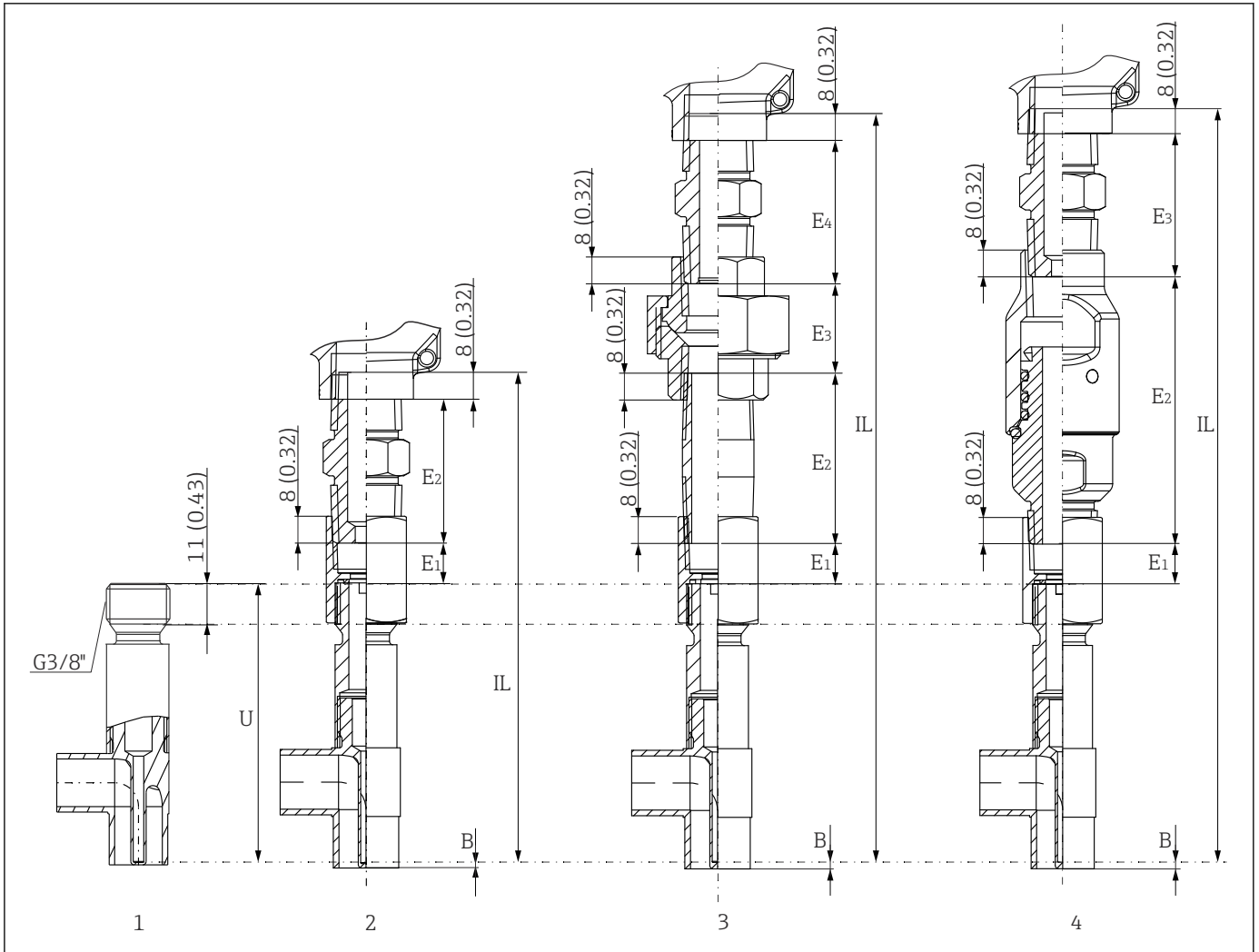
No welds, no dead legs



A0050261

14 Tee thermowell as per DIN 11865 or ASME BPE

- 1 With extension neck connection G3/8"
- 2 With extension hex nipple and connection thread 1/2" NPT, 5 Nm (3.69 lbf ft)
- 3 With extension nipple union nipple (NUN) and connection thread 1/2" NPT, 5 Nm (3.69 lbf ft)
- 4 With quick-fastening iTHERM QuickNeck, torque 5 Nm (3.69 lbf ft), and glued with threadlocking adhesive



A0050273

15 Elbow thermowell as per DIN 11865 or ASME BPE

- 1 With extension neck connection G3/8"
- 2 With extension hex nipple and connection thread 1/2" NPT, torque 5 Nm (3.69 lbf ft)
- 3 With extension nipple union nipple (NUN) and connection thread 1/2" NPT, torque 5 Nm (3.69 lbf ft)
- 4 With quick-fastening iTHERM QuickNeck, torque 5 Nm (3.69 lbf ft), and glued with threadlocking adhesive

- Pipe sizes as per DIN 11865 series C (ASME BPE) → 34
- 3-A marked for nominal diameters ≥ DN25
- EHEDG certified for nominal diameters ≥ DN25
- ASME BPE compliance for nominal diameters ≥ DN25
- IP69K protection class
- 1.4435+316L material, delta ferrite content < 0.5%
- Temperature range: -60 to +200 °C (-76 to +392 °F)
- Pressure range: PN25 as per DIN11865
- G3/8" thread for thermowell connection

| Item | Version | Length |
|-------------------------|---|--|
| Extension neck length E | Version 2: Thermometer with extension hex nipple | E1 + E2 = 54.85 mm (2.16 in) |
| | Version 3: Thermometer with extension nipple union nipple (NUN) | E1 + E2 + E3 + E4 = 132 mm (5.2 in) |
| | Version 4: Thermometer with iTHERM QuickNeck | E1 + E2 + E3 = 135 mm (5.32 in) |

| Item | Version | Length |
|--------------------|----------------------------------|-------------------------------------|
| Immersion length U | T thermowell | 83 mm (3.27 in) |
| Base thickness B | T thermowell Elbow thermowell | 2 mm (0.079 in) 0.7 mm (0.03 in) |

 Due to the short immersion length U in the case of small pipe diameters, the use of iTHERM QuickSens inserts is recommended.

As a general rule, the longer the immersion length U the better the accuracy. For small pipe diameters it is advisable to use elbow thermowells to enable a maximum immersion length U.

The iTHERM TS212 insert is available as a spare part. The insert length (IL) depends on the immersion length of the thermowell (U) and the length of the extension neck (E). The insertion length (IL) must be taken into consideration when replacing the unit.


This can be calculated by means of the following formula: $IL = U + E + 8 \text{ mm (0.32 in)}$


Insert

Depending on the application, iTHERM TS212 inserts with different RTD sensors are available for the thermometer:

| Sensor | Standard thin-film | | iTHERM StrongSens | iTHERM QuickSens ¹⁾ | | Wire wound | |
|--|---|------------------------------------|--|--|---|---|---|
| | 1x Pt100, 3- or 4-wire, PTFE insulated | 2x Pt100, 2x3-wire, PTFE insulated | | 1x Pt100, 3- or 4-wire, mineral insulated | 1x Pt100, 3- or 4-wire, mineral insulated | 1x Pt100, 3- or 4-wire, PTFE insulated | 1x Pt100, 3- or 4-wire, mineral insulated |
| Vibration resistance of the insert tip | Up to 3g | | Enhanced vibration resistance > 60g | > 60g | 3g | Up to 3g | |
| Measuring range; accuracy class | -50 to +200 °C (-58 to +392 °F), Class A or B | | -50 to +500 °C (-58 to +932 °F), Class A or AA | -50 to +200 °C (-58 to +392 °F), Class A or AA | | -200 to +600 °C (-328 to +1112 °F), Class A or AA | |
| Diameter | 6.35 mm (¼ in) | | 6 mm (0.24 in) | 6 mm (0.24 in) | 3 mm (0.12 in) | 6.35 mm (¼ in); 3 mm (0.12 in) | |

1) Recommended for immersion lengths U < 70 mm (2.75 in)

 For more information on the deployed insert iTHERM TS212 with enhanced vibration resistance and fast-response sensor, see the Technical Information.

 Spare parts currently available for your product can be found online at: http://www.products.endress.com/spareparts_consumables, product root: TM412. Always quote the serial number of the device when ordering spare parts! The insertion length IL is automatically calculated using the serial number.

Weight Depending on the configuration

Material Extension neck and thermowell, insert, process connection.
The temperatures for continuous operation specified in the following table are only intended as reference values for use of the various materials in air and without any significant compressive load.

The maximum operating temperatures can be reduced considerably in cases where abnormal conditions such as high mechanical load occur or in aggressive media.

| Designation | Recommended max. temperature for continuous use in air | Properties |
|-------------|--|--|
| AISI 316L | 650 °C (1 202 °F) ¹⁾ | <ul style="list-style-type: none"> ▪ Austenitic, stainless steel ▪ High corrosion resistance in general ▪ Particularly high corrosion resistance in chlorine-based and acidic, non-oxidizing atmospheres through the addition of molybdenum (e.g. phosphoric and sulfuric acids, acetic and tartaric acids with a low concentration) ▪ Increased resistance to intergranular corrosion and pitting ▪ The wetted part from a 316L thermowell withstand a passivation process with a 3% sulphuric acid ▪ Available with 3-A marked sensors |

1) Can be used to a limited extent up to 800 °C (1472 °F) for low compressive loads and in non-corrosive media. Contact your Endress+Hauser sales team for further information.

Surface roughness

Values for wetted surfaces:

| | |
|--|--|
| Standard surface, mechanically polished ¹⁾ | $R_a \leq 0.76 \mu\text{m}$ (30 μin) |
| Mechanically polished ¹⁾ , buffed ²⁾ | $R_a \leq 0.38 \mu\text{m}$ (15 μin) |
| Mechanically polished ¹⁾ , buffed and electropolished | $R_a \leq 0.38 \mu\text{m}$ (15 μin) + electropolished |

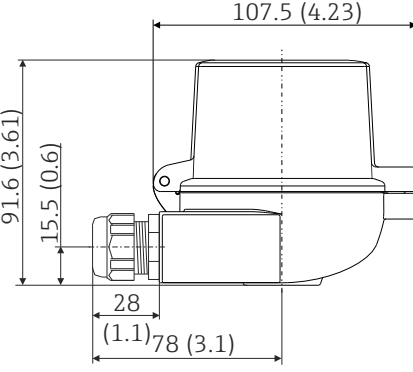
- 1) Or equivalent treatment that guarantees R_a max
- 2) Not compliant with ASME BPE

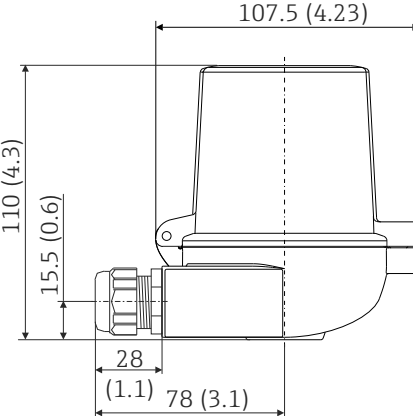
Terminal heads

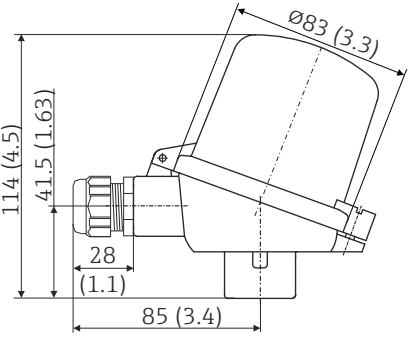
All terminal heads have an internal shape and size in accordance with DIN EN 50446, flat face and a thermometer connection with a 1/2" NPT thread. All dimensions in mm (in). The sample cable glands in the diagrams correspond to M20x1.5 connections with non-Ex polyamide cable glands. Specifications without head transmitter installed. For ambient temperatures with head transmitter installed, see the 'Environment' section. → 20

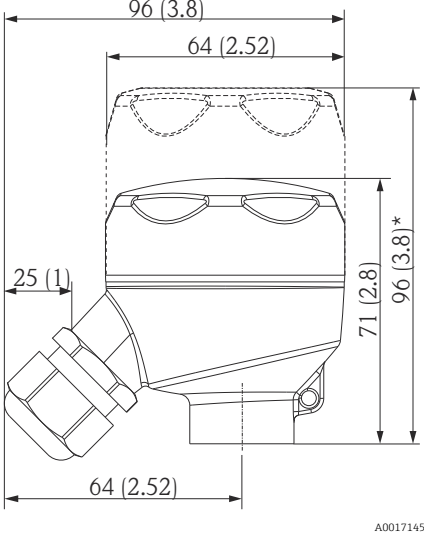
As a special feature, Endress+Hauser offers terminal heads with optimized terminal accessibility for easy installation and maintenance.

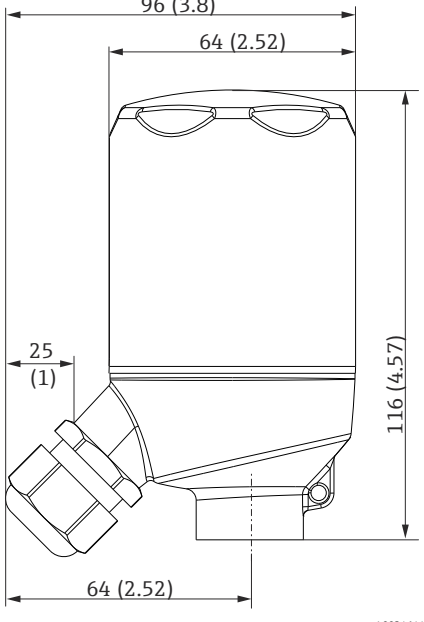
| TA30A | Specification |
|-------|--|
| | <ul style="list-style-type: none"> ▪ Protection class: <ul style="list-style-type: none"> ▪ IP66/68 (NEMA Type 4x encl.) ▪ For ATEX: IP66/67 ▪ Temperature: -50 to +150 °C (-58 to +302 °F) without cable gland ▪ Material: aluminum, polyester powder coated Seals: silicone ▪ Threaded cable entry: G 1/2", 1/2" NPT and M20x1.5; ▪ Protection armature connection: 1/2" NPT, M24x1.5 ▪ Head color: blue, RAL 5012 ▪ Cap color: gray, RAL 7035 ▪ Weight: 330 g (11.64 oz) ▪ Ground terminal, internal and external ▪ Available with 3-A marked sensors |

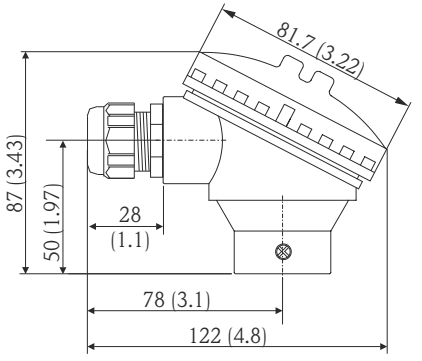
| TA30A with display window | Specification |
|--|---|
|  <p style="text-align: right; font-size: small;">A0009821</p> | <ul style="list-style-type: none"> ■ Protection class: <ul style="list-style-type: none"> ■ IP66/68 (NEMA Type 4x incl.) ■ For ATEX: IP66/67 ■ Temperature: -50 to +150 °C (-58 to +302 °F) without cable gland ■ Material: aluminum, polyester powder coated Seals: silicone ■ Threaded cable entry: G ½", ½" NPT and M20x1.5 ■ Protection armature connection: ½" NPT, M24x1.5 ■ Head color: blue, RAL 5012 Cap color: gray, RAL 7035 ■ Weight: 420 g (14.81 oz) ■ With TID10 display ■ Ground terminal, internal and external ■ Available with 3-A marked sensors |

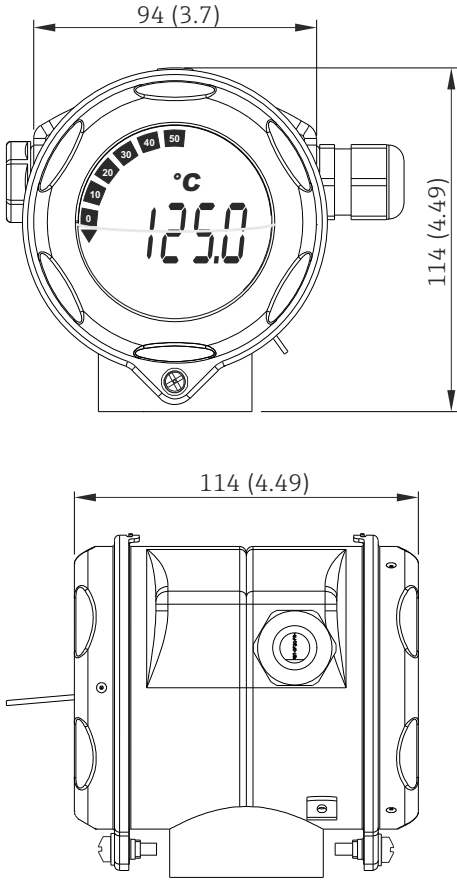
| TA30D | Specification |
|---|---|
|  <p style="text-align: right; font-size: small;">A0009822</p> | <ul style="list-style-type: none"> ■ Protection class: <ul style="list-style-type: none"> ■ IP66/68 (NEMA Type 4x incl.) ■ For ATEX: IP66/67 ■ Temperature: -50 to +150 °C (-58 to +302 °F) without cable gland ■ Material: aluminum, polyester powder coated Seals: silicone ■ Threaded cable entry: G ½", ½" NPT and M20x1.5 ■ Protection armature connection: ½" NPT, M24x1.5 ■ Two head transmitters can be mounted. In the standard version, one transmitter is mounted in the terminal head cover and an additional terminal block is installed directly on the insert. ■ Head color: blue, RAL 5012 Cap color: gray, RAL 7035 ■ Weight: 390 g (13.75 oz) ■ Ground terminal, internal and external ■ Available with 3-A marked sensors |

| TA30P | Specification |
|--|--|
|  <p style="text-align: right; font-size: small;">A0023477</p> | <ul style="list-style-type: none"> ■ Protection class: IP65 ■ Max. temperature: -40 to +120 °C (-40 to +248 °F) ■ Material: polyamide (PA), antistatic Seals: silicone ■ Threaded cable entry: ½" NPT and M20x1.5 ■ Protection armature connection: M24x1.5 or ½" NPT ■ Two head transmitters can be mounted. In the standard version, one transmitter is mounted in the terminal head cover and an additional terminal block is installed directly on the insert. ■ Head and cap color: black ■ Weight: 135 g (4.8 oz) ■ Types of protection for use in hazardous locations: Intrinsic Safety (G Ex ia) ■ Ground terminal: only internal via auxiliary clamp ■ Not allowed for Class II and III applications ■ Available with 3-A marked sensors |

| TA30R (optionally with display window in cover) | Specification |
|---|---|
|  <p data-bbox="507 875 919 925">* Dimensions of version with display window in cover</p> | <ul style="list-style-type: none"> ▪ Degree of protection - standard version: IP69K (NEMA Type 4x encl.) ▪ Degree of protection - version with display window: IP66/68 (NEMA Type 4x encl.) ▪ Temperature: -50 to +130 °C (-58 to +266 °F) without cable gland ▪ Material: stainless steel 316L, abrasive-blasted or polished ▪ Seals: EPDM ▪ Display window: polycarbonate (PC) ▪ Cable entry thread ½" NPT and M20x1.5 ▪ Weight <ul style="list-style-type: none"> ▪ Standard version: 360 g (12.7 oz) ▪ Version with display window: 460 g (16.23 oz) ▪ Display window in cover optionally for head transmitter with display TID10 ▪ Protection armature connection: M24x1.5 or ½" NPT ▪ Ground terminal: internal in standard version; external terminal optionally available ▪ Available with 3-A marked sensors ▪ Not allowed for Class II and III applications |

| TA30R (high version for two transmitters) | Specification |
|---|--|
|  | <ul style="list-style-type: none"> ▪ Degree of protection: IP69K (NEMA Type 4x encl.) ▪ Temperature: -50 to +130 °C (-58 to +266 °F) without cable gland ▪ Material: stainless steel 316L, abrasive-blasted or polished ▪ Seals: EPDM ▪ Cable entry thread ½" NPT and M20x1.5 ▪ Weight: 460 g (16.23 oz) ▪ For two head transmitter ▪ Protection armature connection: M24x1.5 or ½" NPT ▪ Ground terminal: internal in standard version ▪ Not allowed for Class II and III applications ▪ Available with 3-A marked sensors |

| TA30S | Specification |
|---|---|
|  | <ul style="list-style-type: none"> ▪ Degree of protection: IP65 (NEMA Type 4x encl.) ▪ Temperature: -40 to +85 °C (-40 to +185 °F) without cable gland ▪ Material: polypropylene (PP), FDA-compliant, seals: O-ring EPDM ▪ Cable entry thread: 3/4" NPT (with adapter for 1/2" NPT), M20x1.5 ▪ Protective assembly connection: 1/2" NPT ▪ Color: white ▪ Weight: approx. 100 g (3.5 oz) ▪ Ground terminal: only internal via auxiliary terminal ▪ Not allowed for Class II and III applications ▪ Available with 3-A marked sensors |

| Field housing T17 for TMT162 | Specification |
|--|---|
|  | <ul style="list-style-type: none"> ▪ Protection class: <ul style="list-style-type: none"> ▪ IP66 ▪ IP68 ▪ Temperature: <ul style="list-style-type: none"> ▪ Without display: -40 to +85 °C (-40 to +185 °F) ▪ With display: -40 to +80 °C (-40 to +80 °F) ▪ Material: Stainless steel 1.4404/316L for hygienic applications ▪ Threaded cable entry: 1x or 2x M20x1.5, G1/2" or 1/2" NPT ▪ Protection armature connection: 1/2" NPT ▪ Display rotatable in 90° increments ▪ Brilliant backlit display with ease of visibility in bright sunshine or pitch darkness ▪ Separate electronics compartment and connection compartment ▪ Gold plated terminals to avoid corrosion and additional measurement errors ▪ Weight: 1.25 kg (2.76 lb) ▪ Available with 3-A marked sensors |

Cable glands and fieldbus connectors


| Type | Suitable for cable entry | Degree of protection | Temperature range |
|------------------------|---|----------------------|---------------------------------|
| Cable gland, polyamide | 1/2" NPT, 3/4" NPT, M20x1.5 (optionally 2x cable entry) | IP68 | -40 to +100 °C (-40 to +212 °F) |
| | 1/2" NPT, M20x1.5 | IP69K | -20 to +95 °C (-4 to +203 °F) |

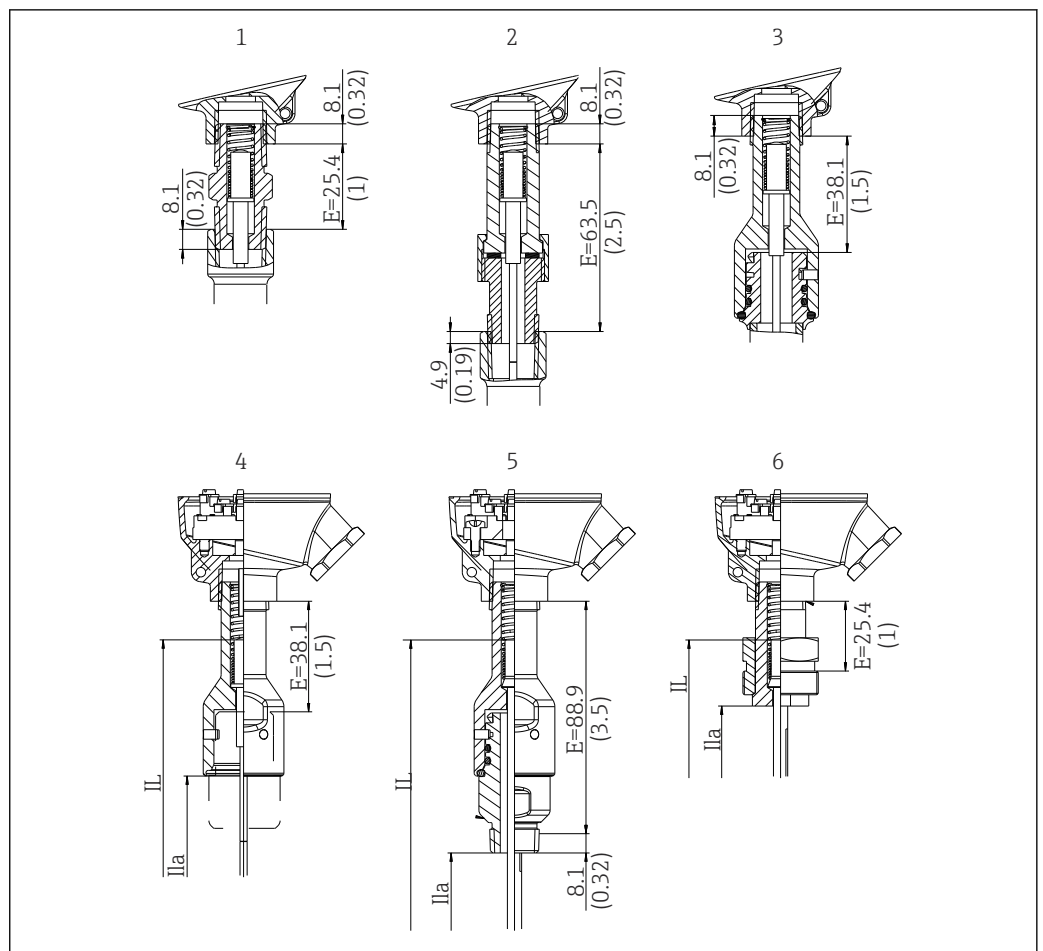
| Type | Suitable for cable entry | Degree of protection | Temperature range |
|---|---|----------------------|---------------------------------|
| Cable gland for dust ignition-proof area, polyamide | ½" NPT, M20x1.5 (optionally 2x cable entry) | IP68 | -20 to +95 °C (-4 to +203 °F) |
| Fieldbus connector (M12x1 PA, 7/8" PA, FF) | ½" NPT, M20x1.5 | IP67, NEMA Type 6 | -40 to +105 °C (-40 to +221 °F) |
| Fieldbus connector (M12, 8-pin) | M20x1.5 | IP67 | -30 to +90 °C (-22 to +194 °F) |

Extension neck


Standard version of extension neck, or optionally with the quick-fastening iTHERM QuickNeck.

- iTHERM QuickNeck - tool-free removal of the insert:
 - Saves time/costs on frequently calibrated measuring points
 - Wiring mistakes avoided
- IP69K protection: safety under extreme process conditions

 Connection between thermometer and thermowell must be installed with PTFE thread tape on all connections to achieve the IP69K rating.



A0034508

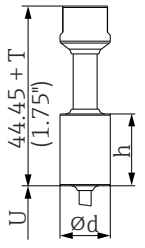
 16 Dimensions of extension neck, different versions, each with ½" NPT thread to the terminal head

- 1 Extension hex nipple
- 2 Extension nipple union nipple (NUN)
- 3 Quick-fastening iTHERM QuickNeck
- 4 Quick-fastening iTHERM QuickNeck - upper part, for installation in an existing thermowell with iTHERM QuickNeck
- 5 Quick-fastening iTHERM QuickNeck complete, for mounting in existing thermowell with ½" NPT connection
- 6 1¼" x 18 UNEF thread, for mounting in existing thermowell
- IL Insert length
- IIa Insert length (insert length below nipple)
- E Length of the extension neck available at point of installation (provided one is available)

Process connections

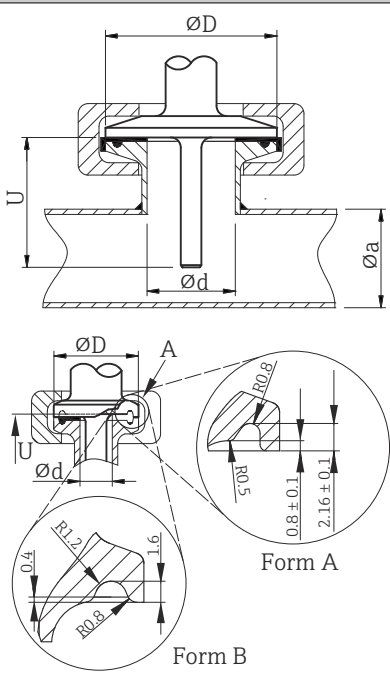
All dimensions in mm (in).

For welding in

| Type | Version | Dimensions | Technical properties |
|--|--------------------|--|---|
| Weld-in adapter  | Cylindrical ½" NPS | Ød = ½" NPS, h = 38.1 mm (1.5 in), U = immersion length from lower edge, T = min. 50.8 mm (2 in) | <ul style="list-style-type: none"> ■ P_{max.} depends on the weld-in process ■ With 3-A symbol and EHEDG certification ■ ASME BPE compliance |
| | Cylindrical ¾" NPS | Ød = ¾" NPS, h = 38.1 mm (1.5 in), U = immersion length from lower edge, T = min. 50.8 mm (2 in) | |
| | Cylindrical 1" NPS | Ød = 1" NPS, h = 38.1 mm (1.5 in), U = immersion length from lower edge, T = min. 50.8 mm (2 in) | |

A0033743

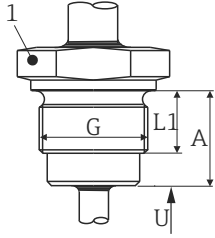
Releasable process connection

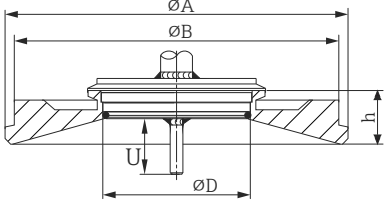
| Type | Version | Dimensions | | Technical properties | Conformity |
|--|--|-------------------|-----------------------------------|---|-----------------|
| | Ød: 1) | ØD | Øa | | |
|  <p>Form A: In compliance with ASME BPE Type A</p> <p>Form B: In compliance with ASME BPE Type B and ISO 2852</p> | Tri-clamp ¾" (DN18), Form A 2) | 25 mm (0.98 in) | - | <ul style="list-style-type: none"> ■ P_{max.} = 16 bar (232 psi), depends on clamp ring and suitable seal ■ 3-A marked | ASME BPE type A |
| | Clamp ISO 2852 ½" (DN12 - 21.3) Form B | 34 mm (1.34 in) | 16 to 25.3 mm (0.63 to 0.99 in) | | ISO 2852 |
| | Tri-clamp 1" - 1½" (DN25 - 38) Form B | 50.5 mm (1.99 in) | 29 to 42.4 mm (1.14 to 1.67 in) | <ul style="list-style-type: none"> ■ P_{max.} = 16 bar (232 psi), depends on clamp ring and suitable seal ■ 3-A marked and EHEDG certified (combined with Combifit seal) ■ Can be used with 'Novaseptic Connect (NA Connect)' which enables flush-mount installation | ASME BPE type B |
| | Tri-clamp 2" (DN40 - 51) Form B | 64 mm (2.52 in) | 44.8 to 55.8 mm (1.76 to 2.2 in) | | |
| | Tri-clamp 2½" (DN63.5) Form B | 77.5 mm (3.05 in) | 68.9 to 75.8 mm (2.71 to 2.98 in) | | |
| | Tri-clamp 3" (DN70-76.5) Form B | 91 mm (3.58 in) | > 75.8 mm (2.98 in) | | |

A0009566

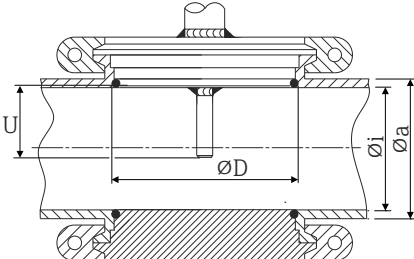
1) Pipes in accordance with ISO 2037 and BS 4825 Part 1

2) Tri-clamp ¾" only possible with thermowell diameter 6.35 mm (¼ in) or 9.53 mm (⅜ in)

| Type | Version G | Dimensions | | | Technical properties |
|---|-----------------------|-------------------|-------------------|-----------|---|
| | | L1 thread length | A | 1 (SW/AF) | |
| Thread according to ISO 228 (for Liquiphant weld-in adapter)  | G¾" for FTL20 adapter | 16 mm (0.63 in) | 25.5 mm (1 in) | 32 | <ul style="list-style-type: none"> ▪ P_{max.} = 25 bar (362 psi) at max. 150 °C (302 °F) ▪ P_{max.} = 40 bar (580 psi) at max. 100 °C (212 °F) ▪ In connection with FTL31/33/50 adapter, see TI00426F for details about 3-A conformity and EHEDG tested O-ring ▪ Minimum extension neck lengths: ≥ 76.2 mm (3 in) |
| | G¾" for FTL50 adapter | | | | |
| | G1" for FTL50 adapter | 18.6 mm (0.73 in) | 29.5 mm (1.16 in) | 41 | |


| Type | Version | Dimensions | | | | Technical properties | |
|---|---------|-----------------|------------------|------------------|-------------------|----------------------|---|
| | | øD | øA | øB | h | P _{max.} | |
| Varivent®  | Type B | 31 mm (1.22 in) | 105 mm (4.13 in) | - | 22 mm (0.87 in) | 10 bar (145 psi) | <ul style="list-style-type: none"> ▪ 3-A marked and EHEDG certified ▪ ASME BPE compliance |
| | Type F | 50 mm (1.97 in) | 145 mm (5.71 in) | 135 mm (5.31 in) | 24 mm (0.95 in) | | |
| | Type N | 68 mm (2.67 in) | 165 mm (6.5 in) | 155 mm (6.1 in) | 24.5 mm (0.96 in) | | |

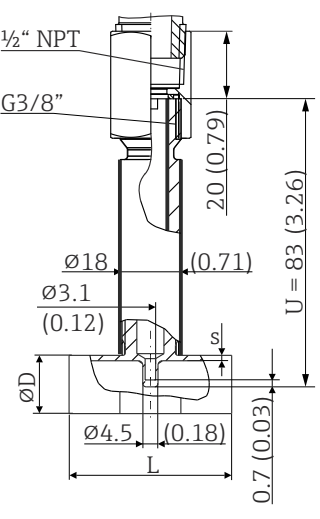
i The VARINLINE® housing connection flange is suitable for weld-in into the conical or torispherical head in tanks or containers with a small diameter (≤ 1.6 m (5.25 ft)) and up to a wall thickness of 8 mm (0.31 in).

| Type | Technical properties |
|---|---|
| Varivent® for VARINLINE® housing for installation in pipes  | <ul style="list-style-type: none"> ▪ 3-A marked and EHEDG certified ▪ ASME BPE compliance |

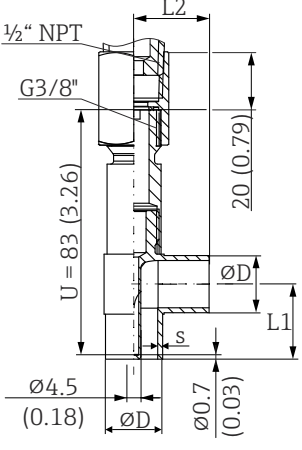
| Version | Dimensions | | | P _{max.} |
|--|-----------------|---------------------------|--------------------------|------------------------------------|
| | øD | øi | øa | |
| Type N, according to DIN 11866, series C | 68 mm (2.67 in) | OD 1½": 34.9 mm (1.37 in) | OD 1½": 38.1 mm (1.5 in) | OD 1½" to OD 2½": 16 bar (232 psi) |
| | | OD 2": 47.2 mm (1.86 in) | OD 2": 50.8 mm (2 in) | |
| | | OD 2½": 60.2 mm (2.37 in) | OD 2½": 63.5 mm (2.5 in) | |
| Type N, according to DIN 11866, series C | 68 mm (2.67 in) | OD 3": 73 mm (2.87 in) | OD 3": 76.2 mm (3 in) | OD 3" to OD 4": 10 bar (145 psi) |

| Type | | | Technical properties | |
|--|-----------------|--------------------------|------------------------|------------------|
| | | OD 4": 97.6 mm (3.84 in) | OD 4": 101.6 mm (4 in) | |
| Type F, according to DIN 11866, series C | 50 mm (1.97 in) | OD 1": 22.2 mm (0.87 in) | OD 1": 25.4 mm (1 in) | 16 bar (232 psi) |

 Due to the small immersion length U, the use of iTHERM QuickSens inserts is recommended.


| Type | Version | Dimensions in mm (in) | | | Technical properties | |
|---|----------------------|-----------------------|--------------------|-----------------|----------------------|---|
| | | ØD | L | s ¹⁾ | | |
| Tee thermowell for weld-in as per DIN 11865 (Part C)  | Part C ²⁾ | DN12.7 PN25 (½") | 12.7 mm (0.5 in) | 48 mm (1.89 in) | 1.65 mm (0.065 in) | <ul style="list-style-type: none"> ▪ P_{max.} = 25 bar (362 psi) ▪ R_a ≤ 0.38 µm (15 µin)+ electropolished³⁾ |
| | | DN19.05 PN25 (¾") | 19.05 mm (0.75 in) | | | |
| | | DN25.4 PN25 (1") | 19.05 mm (0.75 in) | | | |
| | | DN38.1 PN25 (1½") | 38.1 mm (1.5 in) | | | |

- 1) Wall thickness
- 2) Dimensions as per ASME BPE 2012
- 3) Exception: internal welded seams

| Type | Version | Dimensions | | | | Technical properties |
|---|---------|--------------------------------|--------------------|-----------------|--------------------|---|
| | | ØD | L1 | L2 | s ¹⁾ | |
| Elbow thermowell for weld-in as per DIN 11865 (Part C)  | Part C | DN12.7 PN25 (½") ²⁾ | 12.7 mm (0.5 in) | 24 mm (0.95 in) | 1.65 mm (0.065 in) | <ul style="list-style-type: none"> ▪ P_{max.} = 25 bar (362 psi) ▪ R_a ≤ 0.38 µm (15 µin)+ electropolished³⁾ |
| | | DN19.05 PN25 (¾") | 19.05 mm (0.75 in) | 25 mm (0.98 in) | | |

| Type | Version | Dimensions | | | | Technical properties |
|------|-------------------|--------------------|-----------------|----|-----------------|----------------------|
| | | ØD | L1 | L2 | s ¹⁾ | |
| | DN25.4 PN 25 (1") | 19.05 mm (0.75 in) | 28 mm (1.1 in) | | | |
| | DN38.1 PN25 (1½") | 38.1 mm (1.5 in) | 35 mm (1.38 in) | | | |

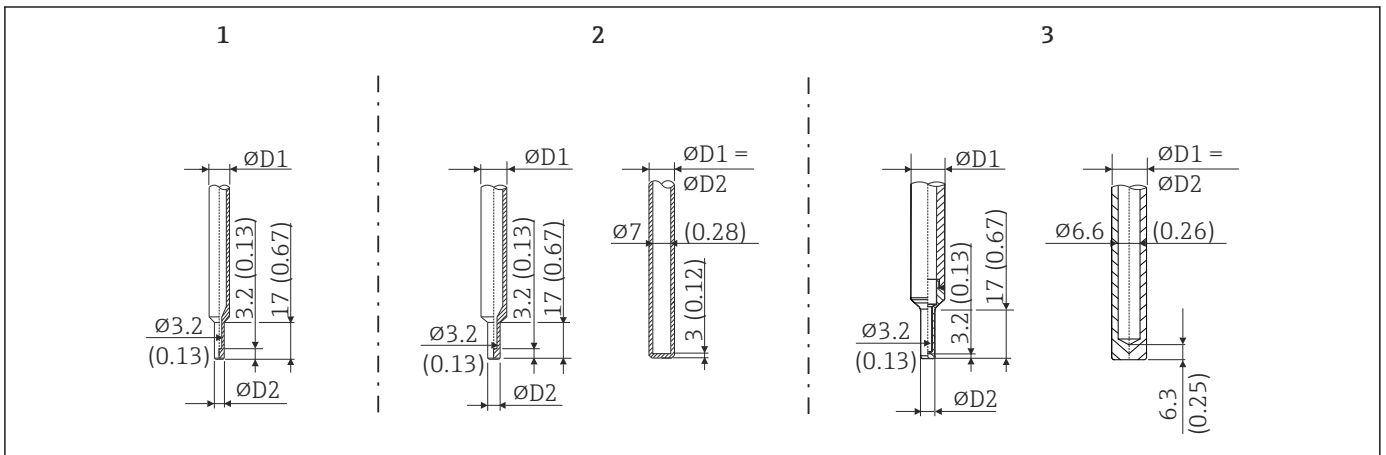
- 1) Wall thickness
- 2) Dimensions as per ASME BPE 2012
- 3) Exception: internal welded seams


 Due to the small immersion length U, the use of iTHERM QuickSens inserts is recommended.

Tip shape

The thermal response time, the reduction of the flow cross-section and the mechanical load that occurs in the process are the criteria that matter when selecting the shape of the tip. Advantages of using reduced thermometer tips:



- A smaller tip shape has less impact on the flow characteristics of the pipe carrying the medium.
- The flow characteristics are optimized, thereby increasing the stability of the thermowell.
- Endress+Hauser offers users a range of thermowell tips to meet every requirement:
 - Straight tip
 - Reduced tip with $\phi 4.76$ mm ($\frac{3}{16}$ in): walls of lower thickness significantly reduce the response times of the overall measuring point
 - Reduced tip for Tee and Elbow thermowell with $\phi 4.5$ mm (0.18 in)



 17 Thermowell tips available (reduced or straight)

A0033991

| Item No. | Thermowell (φD1) | Tip (φD2) | Insert (φID) |
|----------|------------------|---|--|
| 1 | φ6.35 mm (¼ in) | Reduced tip with φ4.76 mm (¾ ₁₆ in) | φ3 mm (0.12 in) |
| 2 | φ9.53 mm (¾ in) | <ul style="list-style-type: none"> ■ Reduced tip with φ4.76 mm (¾₁₆ in) ■ Straight tip | <ul style="list-style-type: none"> ■ φ3 mm (0.12 in) ■ φ6.35 mm (¼ in) or 6 mm (0.24 in) |
| 3 | φ12.7 mm (½ in) | <ul style="list-style-type: none"> ■ Reduced tip with φ4.76 mm (¾₁₆ in) ■ Straight tip | <ul style="list-style-type: none"> ■ φ3 mm (0.12 in) ■ φ6.35 mm (¼ in) or 6 mm (0.24 in) |



 It is possible to check the mechanical loading capacity as a function of the installation and process conditions online in the TW Sizing Module for thermowells in the Endress+Hauser Applicator software. See 'Accessories' section. →  40

Certificates and approvals

Current certificates and approvals that are available for the product can be selected via the Product Configurator at www.endress.com:

1. Select the product using the filters and search field.
2. Open the product page.
3. Select **Configuration**.

Hygiene standard

- EHEDG certification, type EL CLASS I. EHEDG certified/tested process connections. →  34
- 3-A Authorization No. 1144, 3-A Sanitary Standard 74-06. Listed process connections. →  34
- ASME BPE, Declaration of Conformity, can be ordered for options indicated
- FDA-compliant
- All surfaces in contact with the medium are free from materials derived from bovine animals or other livestock (ADI/TSE)

Materials in contact with food/product (FCM)

The materials of the thermometer in contact with food/product (FCM) comply with the following European regulations:

- (EC) No. 1935/2004, Article 3, paragraph 1, Articles 5 and 17 on materials and articles intended to come into contact with food.
- (EC) No. 2023/2006 on good manufacturing practice for materials and articles intended to come into contact with food.
- (EU) No. 10/2011 on plastic materials and articles intended to come into contact with food.

Material resistance

Material resistance - including resistance of housing - to the following Ecolab cleaning/disinfection agents:

- P3-topax 66
- P3-topactive 200
- P3-topactive 500
- P3-topactive OKTO
- And demineralized water

CRN approval

The CRN approval is only available for certain thermowell versions. These versions are identified and displayed accordingly during the configuration of the device.

Detailed ordering information is available for your nearest sales organization www.addresses.endress.com or in the Download Area under www.endress.com :

1. Select the country
2. Select Downloads
3. In the search area: select Approvals/approval type
4. Enter the product code or device
5. Start the search

Surface purity

Free from oil and grease, optional

Thermowell testing and load capacity calculation

- Thermowell pressure tests are carried out in accordance with the specifications in DIN 43772. With regard to thermowells with reduced tip that do not comply with this standard, these are tested using the pressure of corresponding straight thermowells. Tests according to other specifications can be carried out on request. The liquid penetration test verifies that there are no cracks in the welded seams of the thermowell.
- PMI test, dye penetration test, TW welding, internal hydrostatic pressure, etc. each with inspection certificate
- Load capacity calculation for the thermowell as per DIN43772

Ordering information

Detailed ordering information is available from your nearest sales organization www.addresses.endress.com or in the Product Configurator at www.endress.com:

1. Select the product using the filters and search field.
2. Open the product page.
3. Select **Configuration**.

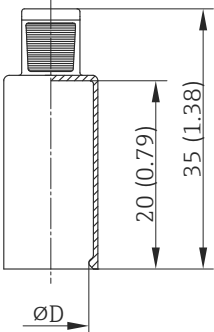
**Product Configurator - the tool for individual product configuration**

- Up-to-the-minute configuration data
- Depending on the device: Direct input of measuring point-specific information such as measuring range or operating language
- Automatic verification of exclusion criteria
- Automatic creation of the order code and its breakdown in PDF or Excel output format
- Ability to order directly in the Endress+Hauser Online Shop

Accessories

Various accessories, which can be ordered with the device or subsequently from Endress+Hauser, are available for the device. Detailed information on the order code in question is available from your local Endress+Hauser sales center or on the product page of the Endress+Hauser website: www.endress.com.

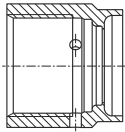
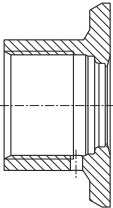
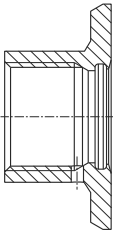
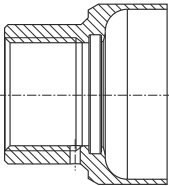
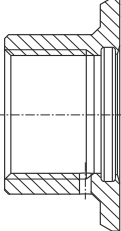
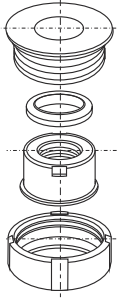
Device-specific accessories

| | |
|---|--|
| <p>Flexible handle cap to cover the QuickNeck bottom part</p>  <p style="text-align: center;">A0027201</p> | <p>Diameter ØD: 24 to 26 mm (0.94 to 1.02 in) Material: Thermoplastic polyolefin - elastomer (TPE), free from plasticizers Maximum temperature: +150 °C (+302 °F) Order number: 71275424</p> |
|---|--|

Weld-in adapter



For more information about order codes and hygienic compliance of the adapters and spare parts, see Technical Information (TI00426F).


| | | | | | | |
|---------------------------------|---|---|---|--|---|---|
| Weld-in adapter |  A0008246 |  A0008251 |  A0008256 |  A0011924 |  A0008248 |  A0008253 |
| | G ¾", d=29 for pipe-mounting | G ¾", d=50 for vessel-mounting | G ¾", d=55 with flange | G 1", d=53 without flange | G 1", d=60 with flange | G 1" adjustable |
| Material | 316L (1.4435) | 316L (1.4435) | 316L (1.4435) | 316L (1.4435) | 316L (1.4435) | 316L (1.4435) |
| Roughness µm (µin) process side | ≤1.5 (59.1) | ≤0.8 (31.5) | ≤0.8 (31.5) | ≤0.8 (31.5) | ≤0.8 (31.5) | ≤0.8 (31.5) |




Maximum process pressure for the weld-in adapters:

- 25 bar (362 PSI) at maximum 150 °C (302 °F)
- 40 bar (580 PSI) at maximum 100 °C (212 °F)

Communication-specific accessories

| | |
|-------------------------|--|
| Configuration kit TXU10 | Configuration kit for PC-programmable transmitter with setup software and interface cable for PC with USB port Order code: TXU10-xx |
| Commubox FXA195 HART | For intrinsically safe HART communication with FieldCare via the USB interface.  For details, see Technical Information TI00404F |


| | |
|--|--|
| <p>Wireless HART adapter SWA70</p> | <p>Is used for the wireless connection of field devices. The WirelessHART adapter can be easily integrated into field devices and existing infrastructures, offers data protection and transmission safety and can be operated in parallel with other wireless networks with minimum cabling complexity.</p> <p> For details, see Operating Instructions BA00061S</p> |
|--|--|


Service-specific accessories

| Accessories | Description |
|-------------------|--|
| <p>Applicator</p> | <p>Software for selecting and sizing Endress+Hauser measuring devices:</p> <ul style="list-style-type: none"> ▪ Calculation of all the necessary data for identifying the optimum measuring device: e.g. pressure loss, accuracy or process connections. ▪ Graphic illustration of the calculation results <p>Administration, documentation and access to all project-related data and parameters over the entire life cycle of a project.</p> <p>Applicator is available:</p> <ul style="list-style-type: none"> ▪ Via the Internet: https://portal.endress.com/webapp/applicator ▪ On CD-ROM for local PC installation. |



| | |
|---------------------|---|
| <p>Configurator</p> | <p>Product Configurator - the tool for individual product configuration</p> <ul style="list-style-type: none"> ▪ Up-to-the-minute configuration data ▪ Depending on the device: Direct input of measuring point-specific information such as measuring range or operating language ▪ Automatic verification of exclusion criteria ▪ Automatic creation of the order code and its breakdown in PDF or Excel output format ▪ Ability to order directly in the Endress+Hauser Online Shop <p>The Configurator is available on the Endress+Hauser website: www.endress.com -> Click "Corporate" -> Select country -> Click "Products" -> Select the product using the filters and search field -> Open product page -> The "Configure" button to the right of the product image opens the Product Configurator.</p> |
|---------------------|---|

| | |
|------------|---|
| <p>W@M</p> | <p>Life cycle management for your plant W@M supports with a wide range of software applications over the entire process: from planning and procurement, to the installation, commissioning and operation of the measuring devices. All the relevant device information, such as the device status, spare parts and device-specific documentation, is available for every device over the entire life cycle. The application already contains the data of your Endress+Hauser device. Endress+Hauser also takes care of maintaining and updating the data records.</p> <p>W@M is available:</p> <ul style="list-style-type: none"> ▪ Via the Internet: www.endress.com/lifecyclemanagement ▪ On CD-ROM for local PC installation. |
|------------|---|

| | |
|-------------------------|--|
| <p>FieldCare SFE500</p> | <p>FDT-based plant asset management tool from Endress+Hauser. It can configure all smart field units in your system and helps you manage them. By using the status information, it is also a simple but effective way of checking their status and condition.</p> <p> For details, see Operating Instructions BA00027S and BA00065S</p> |
|-------------------------|--|


| | |
|--------------------------|--|
| <p>DeviceCare SFE100</p> | <p>Configuration tool for devices via fieldbus protocols and Endress+Hauser service protocols. DeviceCare is the tool developed by Endress+Hauser for the configuration of Endress+Hauser devices. All smart devices in a plant can be configured via a point-to-point or point-to-bus connection. The user-friendly menus enable transparent and intuitive access to the field devices.</p> <p> For details, see Operating Instructions BA00027S</p> |
|--------------------------|--|

System components

| Accessories | Description |
|--------------------|---|
| Display RIA15 | It is integrated in the 4 to 20 mA or HART® loop and transmits the measuring signal or HART® process variables in digital form. The process display unit does not require an external power supply. It is powered directly from the current loop.  For details, see the "Technical Information" document TI01043K |
| Memograph M, RSG45 | Advanced Data Manager with tamper-proof data storage and access (FDA 21 CFR 11) HART® gateway functionality; Up to 40 HART® devices connected at a time Communication capabilities: Modbus, Profibus DP, PROFINET, EtherNet/IP.  For details, see the "Technical Information" document TI01180R |

Supplementary documentation

The following types of documentation are available on the product pages and in the Download Area of the Endress+Hauser website (www.endress.com/downloads) (depending on the selected device version):

| Document | Purpose and content of the document |
|--|---|
| Technical Information (TI) | Planning aid for your device The document contains all the technical data on the device and provides an overview of the accessories and other products that can be ordered for the device. |
| Brief Operating Instructions (KA) | Guide that takes you quickly to the 1st measured value The Brief Operating Instructions contain all the essential information from incoming acceptance to initial commissioning. |
| Operating Instructions (BA) | Your reference document The Operating Instructions contain all the information that is required in various phases of the life cycle of the device: from product identification, incoming acceptance and storage, to mounting, connection, operation and commissioning through to troubleshooting, maintenance and disposal. |
| Description of Device Parameters (GP) | Reference for your parameters The document provides a detailed explanation of each individual parameter. The description is aimed at those who work with the device over the entire life cycle and perform specific configurations. |
| Safety Instructions (XA) | Depending on the approval, Safety Instructions (XA) are supplied with the device. The Safety Instructions are an integral part of the Operating Instructions.  Information on the Safety Instructions (XA) that are relevant for the device is provided on the nameplate. |
| Supplementary device-dependent documentation (SD/FY) | Always comply strictly with the instructions in the relevant supplementary documentation. The supplementary documentation is an integral part of the device documentation. |





71578953

www.addresses.endress.com
