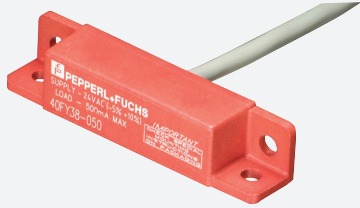


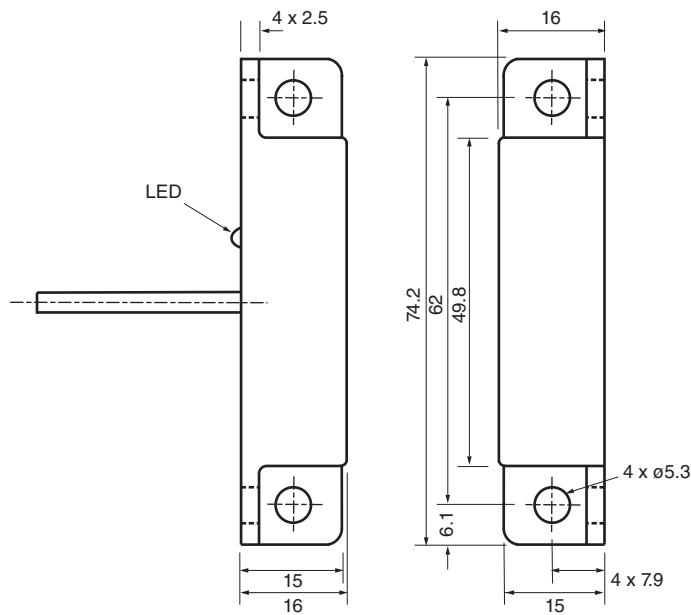
Magnetic field sensor

40FY38-50



- Hall Effect Sensor
- Magnet Actuator Required
- Door Interrupt Sensor

Dimensions



Technical Data

General specifications

Switching function		Normally open (NO)
Output type		Two-wire
Rated operating distance	s_n	Use either 41FY1 - 6.4 - 15.2 mm or 41FY2 - 7.6 - 19 mm
Installation		non-flush
Output polarity		AC

Nominal ratings

Operating voltage	U_B	24 V AC
Voltage drop	U_d	8 V at 500 mA
Operating current	I_L	max. 500 mA
Off-state current	I_r	1.5 mA

Release date: 2020-03-23 Date of issue: 2020-03-30 Filename: 910447_eng.pdf

Refer to "General Notes Relating to Pepperl+Fuchs Product Information".

Pepperl+Fuchs Group
www.pepperl-fuchs.com

USA: +1 330 486 0001
fa-info@us.pepperl-fuchs.com

Germany: +49 621 776 1111
fa-info@de.pepperl-fuchs.com

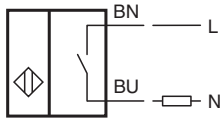
Singapore: +65 6779 9091
fa-info@sg.pepperl-fuchs.com

PF PEPPERL+FUCHS



Technical Data

Indicators/operating means	
LED indicator	switching state
Electrical specifications	
Electrical rating	24 V AC
Ambient conditions	
Ambient temperature	-25 ... 70 °C (-13 ... 158 °F)
Mechanical specifications	
Connection type	cable PVC , 5 m
Core cross-section	0.34 mm ²
Housing material	Polycarbonate
Sensing face	Polycarbonate
Degree of protection	IP67

Connection



Accessories

	41FY1	
	41FY2	