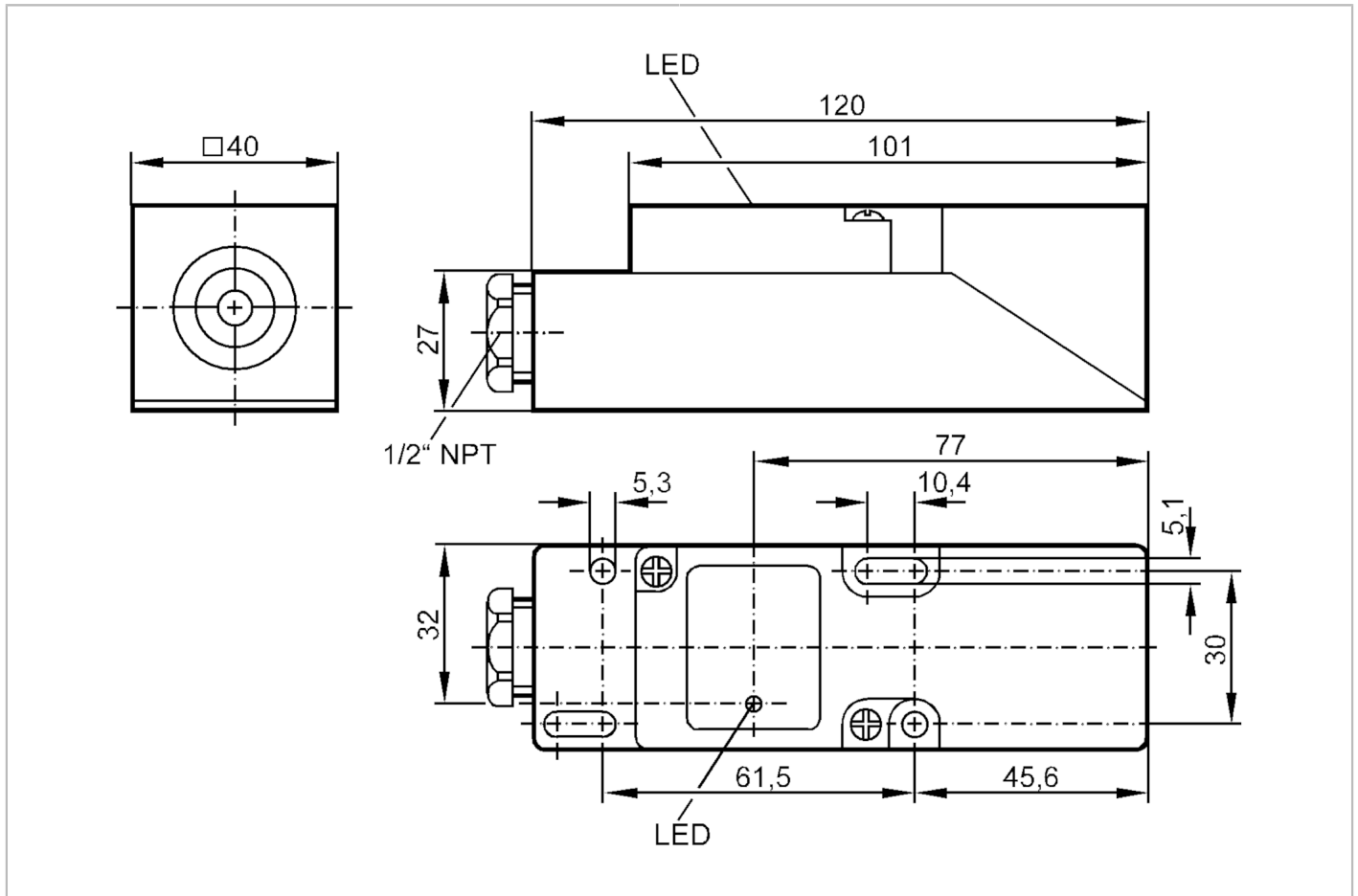


IM0020



Inductive sensor

IME2015BFBOA/NPT/RT



Product characteristics	
Output function	normally open / normally closed; (selectable)
Sensing range [mm]	15
Housing	rectangular
Electrical data	
Operating voltage [V]	20...250 AC/DC
Protection class	II
Reverse polarity protection	no
Outputs	
Output function	normally open / normally closed; (selectable)
Max. voltage drop switching output DC [V]	6
Max. voltage drop switching output AC [V]	6.5
Minimum load current [mA]	5
Max. leakage current [mA]	2.5 (250 V AC) / 1.3 (110 V AC) / 0.8 (24 V DC)
Permanent current rating of switching output AC [mA]	250; (350 (...50 °C))
Permanent current rating of switching output DC [mA]	100

IM0020



Inductive sensor

IME2015BFBOA/NPT/RT

Short-time current rating of switching output	[mA]	2200; (20 ms / 0,5 Hz)
Switching frequency AC	[Hz]	20
Switching frequency DC	[Hz]	55
Short-circuit proof		no
Overload protection		no

Detection zone

Sensing range	[mm]	15
Real sensing range Sr	[mm]	15 ± 10 %
Operating distance	[mm]	0...12.1

Accuracy / deviations

Correction factor		steel: 1 / stainless steel: 0.7 / brass: 0.4 / aluminium: 0.3 / copper: 0.2
Hysteresis	[% of Sr]	1...15
Switch point drift	[% of Sr]	-10...10

Operating conditions

Ambient temperature	[°C]	-25...80
Protection		IP 65

Tests / approvals

EMC		EN 60947-5-2	
		EN 55011	class B
MTTF	[years]		603
UL approval		Ta	0...40 °C
		Enclosure type	Type 1
		power supply	Hazardous voltage
		File number UL	E174191

Mechanical data

Weight	[g]	199
Housing		rectangular
Mounting		flush mountable
Materials		PPE

Displays / operating elements

Display	switching status	1 x LED, red
---------	------------------	--------------

Electrical connection

Required protection		miniature fuse to IEC60127-2 sheet 1; ≤ 2 A; fast acting
---------------------	--	--

Remarks

Remarks		Recommendation: Check the safe functioning of the unit after a short circuit. 5 positions of the active zone possible
Pack quantity		1 pcs.

IM0020



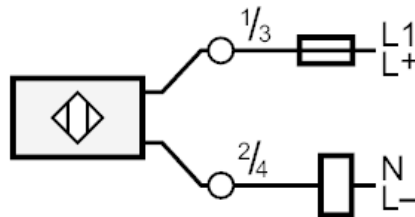
Inductive sensor

IME2015BFBOA/NPT/RT

Electrical connection

terminals: ...2.5 mm²; Cable sheath: Ø 7...13 mm

Connection



Note miniature fuse to IEC60127-2 sheet 1 \leq 2 A fast acting