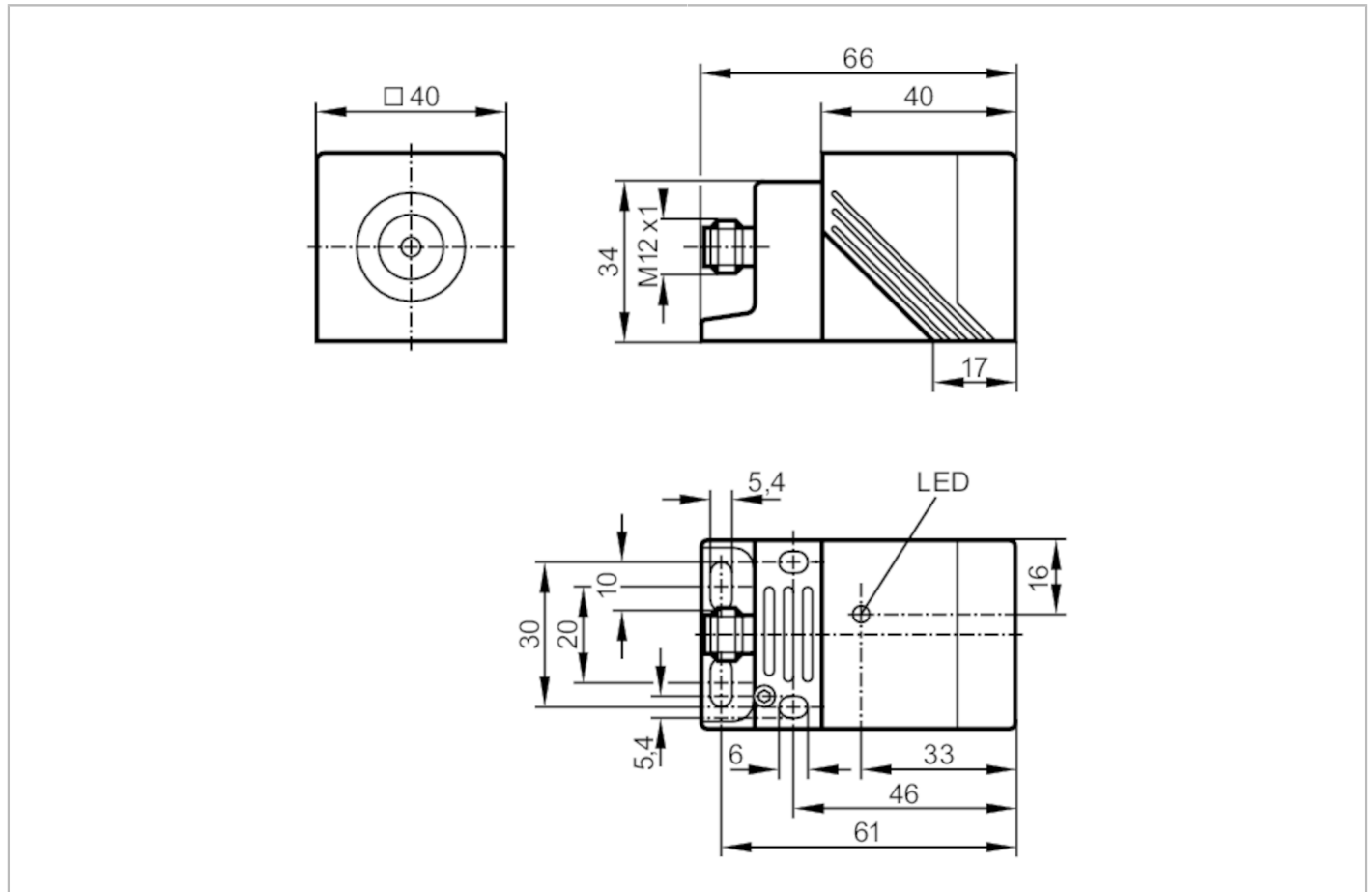


IM0054



Inductive sensor

IMC2020BABOA/SL/LS-100FK



Product characteristics	
Output function	normally open
Sensing range [mm]	20
Housing	rectangular
Dimensions [mm]	40 x 40 x 66
Application	
Special feature	Gold-plated contacts
Electrical data	
Operating voltage [V]	20...250 AC/DC
Protection class	I
Reverse polarity protection	no
Outputs	
Output function	normally open
Max. voltage drop switching output DC [V]	6
Max. voltage drop switching output AC [V]	6.5
Minimum load current [mA]	1.9
Max. leakage current [mA]	2.5 (250 V AC) / 1.3 (130 V AC) / 0.8 (24 V DC)

IM0054



Inductive sensor

IMC2020BABOA/SL/LS-100FK

Permanent current rating of switching output AC	[mA]	250; (350 (...50 °C))
Permanent current rating of switching output DC	[mA]	100
Short-time current rating of switching output	[mA]	2200; (20 ms / 0,5 Hz)
Switching frequency AC	[Hz]	25
Switching frequency DC	[Hz]	70
Short-circuit proof		no
Overload protection		no

Detection zone		
Sensing range	[mm]	20
Real sensing range Sr	[mm]	20 ± 10 %
Operating distance	[mm]	0...16.2

Accuracy / deviations		
Correction factor		steel: 1 / stainless steel: 0.9 / brass: 0.4 / aluminium: 0.4 / copper: 0.3
Hysteresis	[% of Sr]	3...15

Operating conditions		
Ambient temperature	[°C]	-25...70
Protection		IP 67

Tests / approvals		
EMC		EN 60947-5-2
		EN 55011 class B
MTTF	[years]	599

Mechanical data		
Weight	[g]	154.5
Housing		rectangular
Mounting		flush mountable
Dimensions	[mm]	40 x 40 x 66
Materials		housing: PPE; sensing face: PPE orange; end cap: PPS; clamp: PPS black; screw: steel galvanised

Displays / operating elements		
Display	switching status	1 x LED, yellow

Electrical connection		
Required protection		miniature fuse to IEC60127-2 sheet 1; ≤ 2 A; fast acting

Remarks		
Remarks		Recommendation: Check the safe functioning of the unit after a short circuit. 5 positions of the active zone possible
Pack quantity		1 pcs.

IM0054

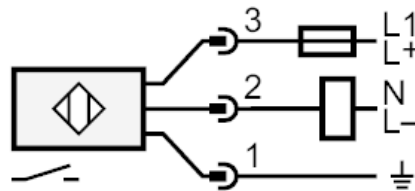


Inductive sensor

IMC2020BABOA/SL/LS-100FK

Electrical connection - plug

Connector: 1 x M12; coding: C; Locking: brass, white bronze coated; Contacts: gold-plated



Note miniature fuse to IEC60127-2 sheet 1 \leq 2 A fast acting