

Technical Information

Liquiline System CA80TN

Colorimetric analyzer for total nitrogen



Integrated controller with digital Memosens technology

Application

The Liquiline System CA80TN is a wet-chemical analyzer for the almost continuous determination of the concentration of total nitrogen in liquid media.

The analyzer is designed for use in the following applications:

- Monitoring of the wastewater treatment plant outlet
- Control of the water quality of surface waters
- Monitoring of industrial wastewater
- Control of industrial wastewater treatment

Your benefits

- Easy upgrade to measuring station by connecting up to 4 Memosens sensors
- Low maintenance costs
- Digital fieldbuses (e.g. PROFINET, PROFIBUS DP, Modbus TCP, Modbus RS485 and Ethernet IP) and web server

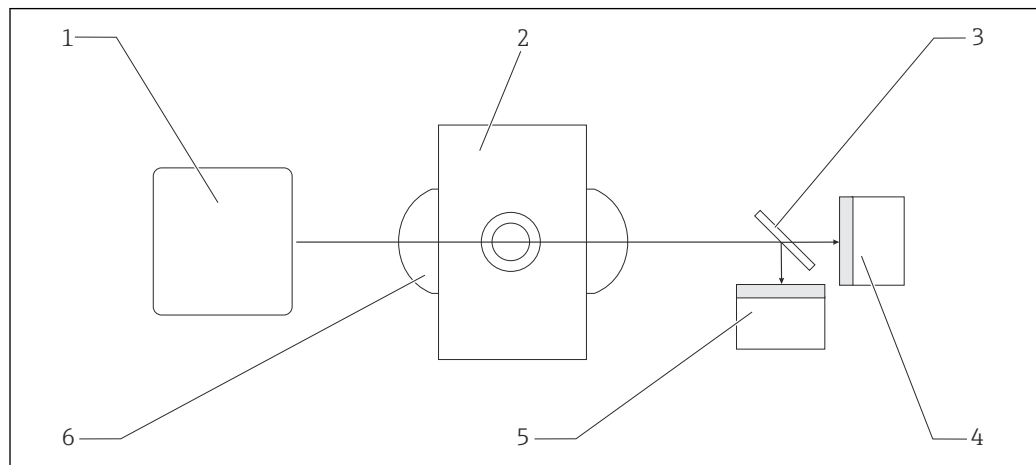
Table of contents

Function and system design	4	Cable entries	16
Measuring principle for UV photometry	4	Cable specification	16
Total nitrogen	4	Connecting optional modules	16
Nitrate measurement according to the HJ636 Standard	4	Sensor connection (optional)	19
Measuring system	4	Performance characteristics	19
Y strainer (optional)	5	Maximum measured error	19
Equipment architecture	6	Maximum measured error for sensor inputs	19
Block diagram	6	Maximum measured error for current inputs and outputs	19
Slot and port assignment	7	LOD (limit of detection)	19
Communication and data processing	7	Repeatability	19
Dependability	7	Repeatability of sensor inputs	19
Reliability thanks to Memosens technology	7	Measuring interval	20
Maintainability	8	Sample requirement	20
Self-monitoring functions	10	Reagent requirement	20
Data security	10	Standard requirement	20
IT security	10	Calibration interval	20
Input	10	Maintenance interval	20
Measured variables	10	Maintenance effort	20
Measuring range	10	Mounting	20
Types of input	10	Mounting location	20
Input signal	10	Installation instructions	20
Current input, passive	10	Environment	21
Cable specification (for optional sensors with Memosens technology)	10	Ambient temperature range	21
Output	11	Storage temperature	21
Output signal	11	Relative humidity	21
Signal on alarm	12	Degree of protection	21
Load	12	Electromagnetic compatibility	21
Transmission behavior	12	Electrical safety	22
Current outputs, active	12	Pollution degree	22
Span	12	Process	22
Signal characteristic	12	Sample temperature	22
Electrical specification	12	Consistency of the sample	22
Cable specification	12	Sample supply	22
Relay outputs	12	Mechanical construction	22
Electrical specification	12	Dimensions	22
Protocol-specific data	13	Materials	23
PROFIBUS DP	13	Hose entries	24
Modbus RS485	13	Hose specification	24
Modbus TCP	14	Process connection, optional Y strainer	24
Web server	14	Operability	24
EtherNet/IP	14	Operating concept	24
PROFINET	15	Display	25
Power supply	15	Remote operation	25
Supply voltage	15	Language packages	26
Fieldbus connection	15	Certificates and approvals	27
Power consumption	16	Ordering information	27
		Product Configurator	27
		Scope of delivery	27

Accessories 27
Device-specific accessories 27
Communication-specific accessories 31
System components 32

Function and system design

Measuring principle for UV photometry



A0045634

1 Photometric measuring principle

- 1 Strobe lamp
- 2 Cuvette
- 3 Beam splitter
- 4 Measuring detector with filter
- 5 Reference detector with filter
- 6 Lenses

The light from a pulsed, long-life strobe lamp (1) passes through the measurement section. A beam splitter (item 3) directs the light beam to the two receivers (items 4 and 5). A filter upstream from the receivers only lets through light in the measuring wavelength or reference wavelength.

Within the measuring path, the medium (water, dissolved substances and particles) in the cuvette (2) absorbs light across the entire spectrum. In addition, the measuring component draws part of the energy from the light in the measuring wavelength range. For the calculation of the measured value, the ratio of the light signal of the measuring wavelength to the light signal of the reference wavelength is calculated in order to minimize the effect of turbidity and lamp aging. This change in the ratio can be converted to the total concentration of nitrogen. This dependency is non-linear.

Total nitrogen

Total nitrogen (TN) is a sum parameter in water and wastewater analysis and indicates the extent to which the water is contaminated with nitrogen compounds.

TN is composed of organically bonded nitrogen (e.g. proteins, urea) and inorganically bonded nitrogen (ammonium, nitrite and nitrate). Higher nitrogen concentrations indicate the influence of wastewater, landfill leachate or pollution from industry and agriculture. Increased inputs of nitrogen compounds released from wastewater into the environment can cause the over-enrichment (eutrophication) of lakes and rivers and thus lead to excessive plant growth. When these plants die, the decay of the additional biomass increases the rate of oxygen consumption. In extreme cases, this may lead to fish kills and decrease the quality of the water system. The concentration of total bonded nitrogen is a useful indicator in assessing the water quality. Together with total phosphorus (TP) and chemical oxygen demand (COD), total nitrogen is one of the most important parameters in characterizing water pollution.

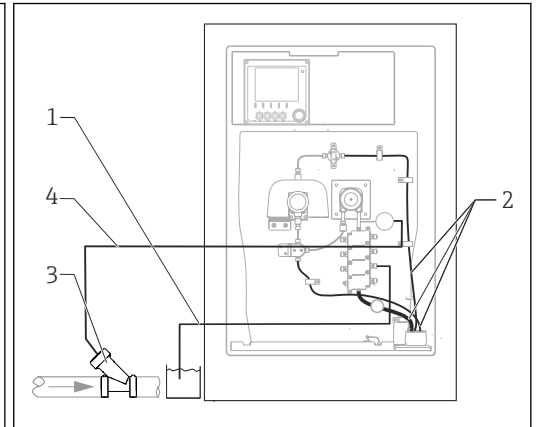
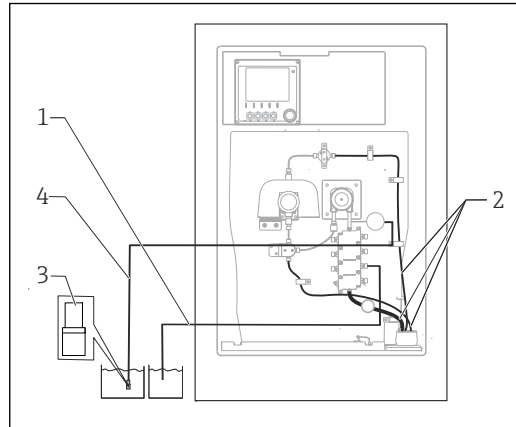
Nitrate measurement according to the HJ636 Standard

To determine the total nitrogen, some of the sample is pumped into the reaction chamber and diluted according to the anticipated concentration. With an alkaline digestion reagent, the sample is digested at a higher temperature. Nitrogen compounds are oxidized to nitrate in the process. The total nitrogen is then determined by means of an absorption measurement in the UV range. Here, the level of UV light absorption is directly proportional to the concentration of total nitrogen in the sample. The measurement results are indicated as total nitrogen (N).

Measuring system

A complete measuring system comprises:

- Analyzer Liquiline System CA80TN with the configuration ordered
- reagents and standard solution (to be ordered separately)
- Suction strainer or optional Y strainer with process connection



2 Measuring system with suction strainer

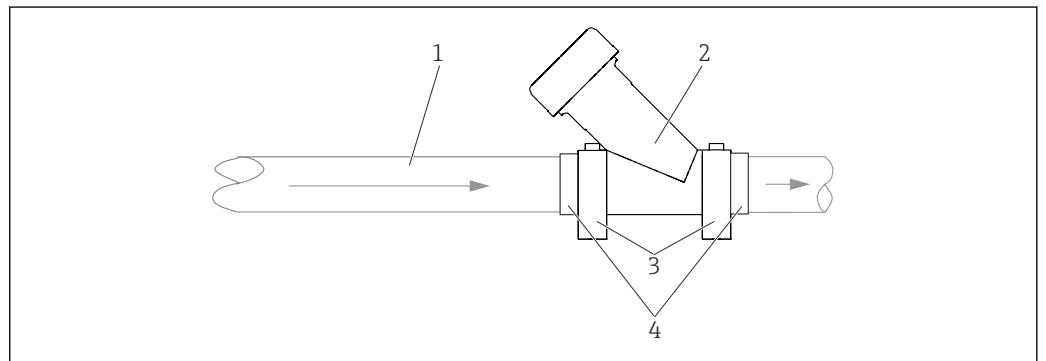
- 1 Dilution water
- 2 Outlet
- 3 Suction strainer
- 4 Medium

3 Measuring system with Y strainer

- 1 Dilution water
- 2 Outlet
- 3 Y strainer
- 4 Medium

Y strainer (optional)

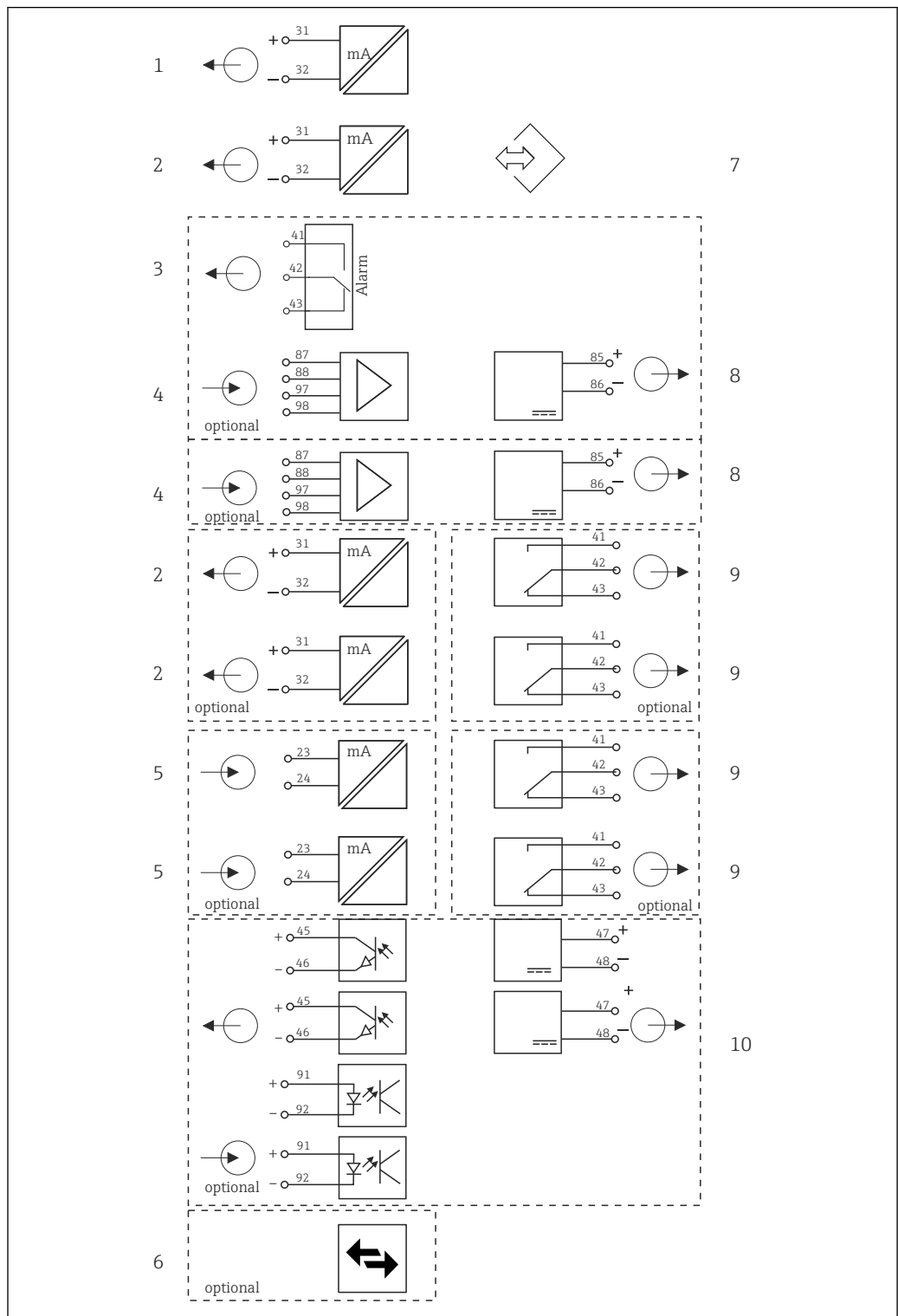
With the Y strainer it is possible to directly take samples containing particles from the pipes. It is therefore also suitable for the analysis procedure where particles up to a certain size must also be included in the analysis.



- 1 Medium
- 2 Y strainer
- 3 Pipe clamps
- 4 Adhesive fittings ID 40 mm, straight

Equipment architecture

Block diagram



A0021099

4 Block diagram CA80

1 Current output 1:1

2 Current outputs

3 Alarm relay

4 2 x Memosens input (1 x optional)

5 2 x current input (optional)

6 Modbus/Ethernet (optional)

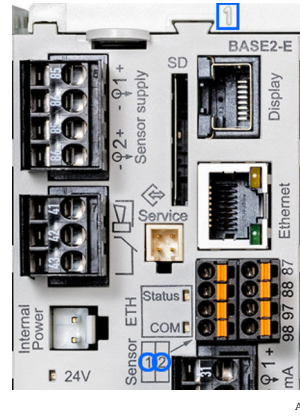
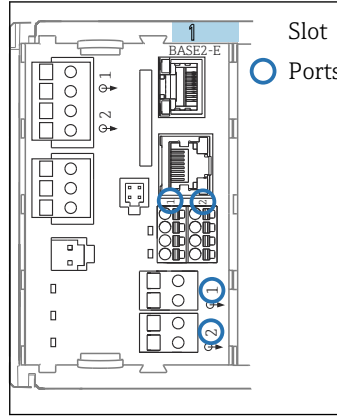
7 Service interface

8 Power supply, fixed cable sensors

9 2 or 4 x relays (optional)

10 2 digital inputs and outputs (optional)

Slot and port assignment



Analyzer_C8024A05G00

▶ Heartbeat diagnostics

SP1 Analyzer*	Slot	Port
CH1: 1:1 pH Glass	1	1
CH2: 1:2 Cond e	1	2
Current output 1:1	1	1
Current output 1:2	1	2
Current output 4:1	1	4
Current output 4:2	1	4

ATC 6.95 pH
ATC 131.1 µS/cm
22.5 mA
22.5 mA
22.5 mA

A0040671

5 Slot and port assignment

6 Slot and port assignment

- 7 Slots and ports on the display
- * Analyzer measured value (parameter-specific)

- Inputs are assigned to measuring channels in the ascending order of the slots and ports. In the example above:
"CH1: 1:1 pH glass" means:
Channel 1 (CH1) is slot 1 (basic module) : Port 1 (input 1), pH glass sensor
- Outputs and relays are named according to their function, e.g. "current output", and are displayed in ascending order with the slot and port numbers
- Display shows SP1: analyzer measuring channel 1 with sampling point SP1 (measured value display is parameter-specific; is not illustrated in the example)

Communication and data processing

Communication protocols:

- Fieldbus systems
 - PROFIBUS DP (Profile 3.02)
 - Modbus TCP or RS485
 - PROFINET
 - EtherNet/IP
- Configuration via Ethernet

Extension module 485DP/485MB and current outputs

For PROFIBUS DP and Modbus RS485 communication protocols:
A maximum of 2 current outputs can be used in parallel.

Ethernet functionality via Base2 module and current outputs

A maximum of 6 current outputs can be used in parallel.

Bus termination on the device

- Via slide switch at bus module 485DP/485MB
- Displayed via LED "T" on bus module 485DP/485MB

Dependability

Reliability thanks to Memosens technology

Memosens

Memosens makes your measuring point safer and more reliable:

- Non-contact, digital signal transmission enables optimum galvanic isolation
- Completely watertight
- Sensor can be calibrated in a lab, thus increasing the availability of the measuring point in the process
- Intrinsically safe electronics mean operation in hazardous areas is not a problem.
- Predictive maintenance thanks to recording of sensor data, e.g.:
 - Total hours of operation
 - Hours of operation with very high or very low measured values
 - Hours of operation at high temperatures
 - Number of steam sterilizations
 - Sensor condition

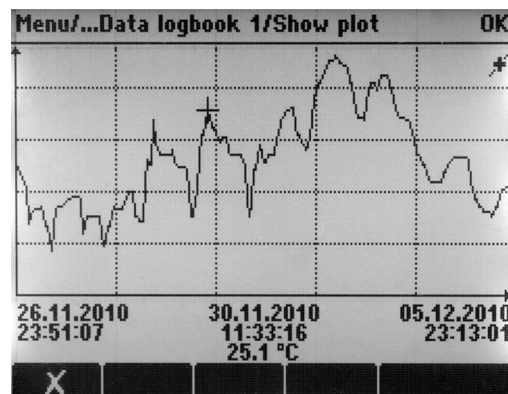
Maintainability**Modular design**


The modular analyzer can be easily adapted to suit your needs:

- Retrofit extension modules for new or extended range of functions, e.g. current outputs, relays and digital communication
- Upgrade to measuring station with digital sensors with Memosens technology
- Optional: M12 sensor connector for connecting any kind of Memosens sensor

Data storage

- Independent, integrated ring memories (FIFO) or stack memories for recording:
 - An analog value (e.g. flow, pH value, conductivity)
 - Events (e.g. power failure)
- Analyzer data logbook
 - Scan time: automatically adjusted to the measuring interval
 - Max. 2 data logbooks
 - 20 000 entries per logbook
 - Graphic display (load curves) or numerical list
 - Factory setting: enabled for all channels, ring memory (FIFO)
- Data logbooks for digital sensors:
 - Adjustable scan time: 1 to 3600 s (1 h)
 - Max. 8 data logbooks
 - 150,000 entries per logbook
 - Graphic display (load curves) or numerical list
- Calibration logbook: max. 75 entries
- Hardware logbook:
 - Hardware configuration and modifications
 - Max. 125 entries
- Version logbook:
 - Software updates among other things
 - Max. 50 entries
- Event logbook
- Analyzer event logbook
 - Analyzer-specific events
 - Max. 19 500 entries, ring memory or fill-up buffer for recording
- Operations logbook: max. 250 entries
- Diagnostic logbook: max. 250 entries



 8 Data logbook: graphic representation on the display

A0024359

Mathematical functions (virtual process values)

In addition to "real" process values, which are provided by connected physical sensors or analog inputs, mathematical functions can be used to calculate a maximum of 6 "virtual" process values.

The "virtual" process values can be:

- Output via a current output or a fieldbus
- Used as a controlled variable
- Assigned as a measured variable to a limit switch
- Used as a measured variable to trigger cleaning
- Displayed in user-defined measuring menus

The following mathematical functions are possible:

- Calculation of pH from two conductivity values according to VGB Standard 405, e.g. in boiler feedwater
- Difference between two measured values from different sources, e.g. to monitor membranes
- Differential conductivity, e.g. to monitor the efficiency of ion exchangers
- Degassed conductivity, e.g. for process controls in power plants
- Redundancy to monitor two or three redundant sensors
- rH calculation based on the measured values of a pH and an ORP sensor
- Formula editor as a powerful mathematics tool and for Boolean operations with up to 3 measured values

FieldCare

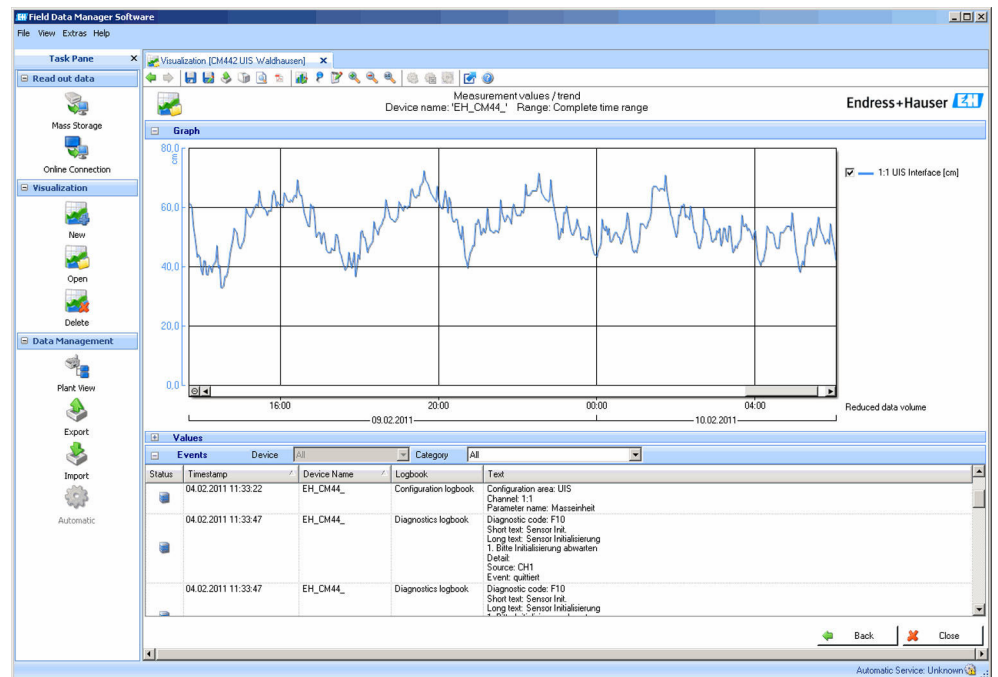
Configuration and asset management software based on FDT/DTM technology

- Complete device configuration when connected via FXA291 and service interface
- Access to a number of configuration parameters and identification, measuring and diagnostic data when connected via HART modem
- Logbooks can be downloaded in CSV format or binary format for "Field Data Manager" software

Field Data Manager

Visualization software and database for measuring, calibration and configuration data

- SQL database which is protected against manipulation
- Functions to import, save and print out logbooks
- Load curves to display measured values



A0016009

9 Field Data Manager: load curve display

SD card

The exchangeable storage medium enables:

- Quick and easy software updates and upgrades
- Quick and easy updates and upgrades to measuring parameter lists
- Data storage of internal device memory (e.g. logbooks)
- Transfer of complete configurations to a device with an identical setup (backup function)
- Transfer of configurations without the TAG and bus address to devices with an identical setup (copy function)

Endress+Hauser offers industry-approved SD cards as accessories. These memory cards provide maximum data security and integrity.

Other SD cards can also be used. However, Endress+Hauser does not accept any responsibility for the data security of such cards.

Self-monitoring functions	<p>Electronics</p> <ul style="list-style-type: none"> ▪ Current inputs are deactivated in the event of overcurrent and reactivated once the overcurrent stops. ▪ Board voltages are monitored and the board temperature is also measured. <p>Counter</p> <p>Counters monitor consumables such as reagents or dispensers.</p> <p>Photometer</p> <ul style="list-style-type: none"> ▪ Automatic temperature monitoring ▪ Active monitoring of communication between the photometer module and the analyzer electronics <p>Leak sensor in the housing</p>
----------------------------------	---

Data security	All settings, logbooks etc. are stored in a non-volatile memory to ensure that the data are retained even in the event of a disruption to the power supply.
----------------------	---

IT security	<p>We only provide a warranty if the device is installed and used as described in the Operating Instructions. The device is equipped with security mechanisms to protect it against any inadvertent changes to the device settings.</p> <p>IT security measures in line with operators' security standards and designed to provide additional protection for the device and device data transfer must be implemented by the operators themselves.</p>
--------------------	---

Input

Measured variables	Total nitrogen [mg/l, ppm]						
Measuring range	<table style="width: 100%; border-collapse: collapse;"> <tr> <td style="width: 50%;">CA80TN-**S5:</td> <td style="width: 50%;">0 to 10 mg/l total-N</td> </tr> <tr> <td>CA80TN-**S6:</td> <td>0 to 50 mg/l total-N</td> </tr> <tr> <td>CA80TN-**S7:</td> <td>0 to 200 mg/l total-N</td> </tr> </table>	CA80TN-**S5:	0 to 10 mg/l total-N	CA80TN-**S6:	0 to 50 mg/l total-N	CA80TN-**S7:	0 to 200 mg/l total-N
CA80TN-**S5:	0 to 10 mg/l total-N						
CA80TN-**S6:	0 to 50 mg/l total-N						
CA80TN-**S7:	0 to 200 mg/l total-N						
Types of input	<ul style="list-style-type: none"> ▪ 1 to 4 digital sensor inputs for sensors with Memosens protocol (optional) ▪ Analog current inputs (optional) ▪ Binary inputs (optional) 						
Input signal	Depending on version 2 x 0/4 to 20 mA (optional), passive, potentially isolated						
Current input, passive	<p>Span</p> <p>> 0 to 20 mA</p> <p>Signal characteristic</p> <p>Linear</p> <p>Internal resistance</p> <p>Non-linear</p> <p>Test voltage</p> <p>500 V</p>						
Cable specification (for optional sensors with Memosens technology)	<p>Cable type</p> <p>Memosens data cable CYK10 or sensor fixed cable, each with cable end sleeves or M12 round-pin connector (optional)</p> <p>Cable length</p> <p>Max. 100 m (330 ft)</p>						

Output

Output signal

Depending on version:

- 2 x 0/4 to 20 mA, active, potentially isolated (standard version)
- 4 x 0/4 to 20 mA, active, potentially isolated (version with 2 additional analog outputs)
- 6 x 0/4 to 20 mA, active, potentially isolated (version with 4 additional analog outputs)
- Binary outputs

PROFIBUS DP/RS485	
Signal encoding	EIA/TIA-485, PROFIBUS DP-compliant acc. to IEC 61158
Data transmission rate	9.6 kBd, 19.2 kBd, 45.45kBd, 93.75 kBd, 187.5 kBd, 500 kBd, 1.5 MBd, 6 MBd, 12 MBd
Galvanic isolation	Yes
Connectors	Spring terminal (max. 1.5 mm), bridged internally (T-function), optional M12
Bus termination	Internal slide switch with LED display

Modbus RS485	
Signal encoding	EIA/TIA-485
Data transmission rate	2,400, 4,800, 9,600, 19,200, 38,400, 57,600 and 115,200 baud
Galvanic isolation	Yes
Bus termination	Internal slide switch with LED display

Web server and Modbus TCP	
Signal encoding	IEEE 802.3 (Ethernet)
Data transmission rate	10 / 100 MBd
Galvanic isolation	Yes
Connection	RJ45, M12 optional
IP address	DHCP or configuration using menu

EtherNet/IP	
Signal encoding	IEEE 802.3 (Ethernet)
Data transmission rate	10 / 100 MBd
Galvanic isolation	Yes
Connection	RJ45, M12 optional (D-encoded)
IP address	DHCP (default) or configuration via menu

PROFINET	
Signal encoding	IEEE 802.3 (Ethernet)
Data transmission rate	100 MBd
Galvanic isolation	Yes
Connection	RJ45
Name of station	Via DCP protocol using the configuration tool (e.g. Siemens PRONETA)
IP address	Via DCP protocol using the configuration tool (e.g. Siemens PRONETA)

Signal on alarm	Adjustable, as per NAMUR Recommendation NE 43 <ul style="list-style-type: none"> ▪ In measuring range 0 to 20 mA: Failure current from 0 to 23 mA ▪ In measuring range 4 to 20 mA: Failure current from 2.4 to 23 mA ▪ Factory setting for failure current for both measuring ranges: 21.5 mA
Load	Max. 500 Ω
Transmission behavior	Linear

Current outputs, active

Span 0 to 23 mA

Signal characteristic Linear

Electrical specification

Output voltage
Max. 24 V

Test voltage
500 V

Cable specification

Cable type
Recommended: shielded cable

Cable specification
Max. 2.5 mm² (14 AWG)

Relay outputs

Electrical specification

Relay types

- 1 single-pin changeover contact (alarm relay)
- 2 or 4 single-pin changeover contacts (optional with extension modules)

Maximum load

- Alarm relay: 0.5 A
- All other relays: 2.0 A

Relay switching capacity

Base module (Alarm relay)

Switching voltage	Load (max.)	Switching cycles (min.)
230 V AC, cosΦ = 0.8 to 1	0.1 A	700,000
	0.5 A	450,000
115 V AC, cosΦ = 0.8 to 1	0.1 A	1,000,000
	0.5 A	650,000
24 V DC, L/R = 0 to 1 ms	0.1 A	500,000
	0.5 A	350,000

Extension module

Switching voltage	Load (max.)	Switching cycles (min.)
230 V AC, $\cos\Phi = 0.8$ to 1	0.1 A	700,000
	0.5 A	450,000
	2 A	120,000
115 V AC, $\cos\Phi = 0.8$ to 1	0.1 A	1,000,000
	0.5 A	650,000
	2 A	170,000
24 V DC, L/R = 0 to 1 ms	0.1 A	500,000
	0.5 A	350,000
	2 A	150,000

Minimum load (typical)

- Min. 100 mA at 5 V DC
- Min. 1 mA at 24 V DC
- Min. 5 mA at 24 V AC
- Min. 1 mA at 230 V AC

Protocol-specific data

PROFIBUS DP	
Manufacturer ID	11 _h
Device type	155E _h
Profile version	3.02
Device database files (GSD files)	www.endress.com/profibus Device Integration Manager DIM
Output variables	16 AI blocks, 8 DI blocks
Input variables	4 AO blocks, 8 DO blocks
Supported features	<ul style="list-style-type: none"> ▪ 1 MSCY0 connection (cyclical communication, master class 1 to slave) ▪ 1 MSAC1 connection (acyclical communication, master class 1 to slave) ▪ 2 MSAC2 connections (acyclical communication, master class 2 to slave) ▪ Device lock: The device can be locked using the hardware or software. ▪ Addressing using DIL switches or software ▪ GSD, PDM DD, DTM

Modbus RS485	
Protocol	RTU/ASCII
Function codes	03, 04, 06, 08, 16, 23
Broadcast support for function codes	06, 16, 23
Output data	16 measured values (value, unit, status), 8 digital values (value, status)
Input data	4 setpoints (value, unit, status), 8 digital values (value, status), diagnostic information
Supported features	Address can be configured using switch or software

Modbus TCP

TCP port	502
TCP connections	3
Protocol	TCP
Function codes	03, 04, 06, 08, 16, 23
Broadcast support for function codes	06, 16, 23
Output data	16 measured values (value, unit, status), 8 digital values (value, status)
Input data	4 setpoints (value, unit, status), 8 digital values (value, status), diagnostic information
Supported features	Address can be configured using DHCP or software

Web server

The web server enables full access to the device configuration, measured values, diagnostic messages, logbooks and service data via standard WiFi/WLAN/LAN/GSM or 3G routers with a user-defined IP address.

TCP port	80
Supported features	<ul style="list-style-type: none"> ▪ Remote-controlled device configuration(1 session) ▪ Save/restore device configuration (via SD card) ▪ Logbook export (file formats: CSV, FDM) ▪ Access to web server via DTM or Internet Explorer ▪ Login ▪ Web server can be switched off

EtherNet/IP

Log	EtherNet/IP	
ODVA certification	Yes	
Device profile	Generic device (product type: 0x2B)	
Manufacturer ID	0x049E _h	
Device type ID	0x109F	
Polarity	Auto-MIDI-X	
Connections	CIP	12
	I/O	6
	Explicit message	6
	Multicast	3 consumers
Minimum RPI	100 ms (default)	
Maximum RPI	10000 ms	
System integration	EtherNet/IP	EDS
	Rockwell	Add-on-Profile Level 3, Faceplate for Factory Talk SE
IO data	Input (T → O)	Device status and diagnostic message with highest priority Measured values: <ul style="list-style-type: none"> ▪ 16 AI (analog input) + Status + Unit ▪ 8 DI (discrete input) + Status
	Output (O → T)	Actuating values: <ul style="list-style-type: none"> ▪ 4 AO (analog output) + status + unit ▪ 8 DO (discrete output) + Status

PROFINET	Protocol	"Application layer protocol for decentral device periphery and distributed automation", PNIO Version 2.34
	Communication type	100 MBit/s
	Conformance Class	Conformance Class B
	Netload Class	Netload Class II
	Baud rate	Automatic 100 Mbps with full-duplex detection
	Cycle times	From 32 ms
	Device profile	Application interface identifier 0xF600 Generic device
	PROFINET interface	1 port, Realtime Class 1 (RT_CLASS_1)
	Manufacturer ID	0x11 _h
	Device type ID	0x859F _h
	Device description files (GSD)	Information and files under: <ul style="list-style-type: none"> ▪ www.endress.com On the product page for the device: Documents/Software → Device drivers ▪ www.profibus.com On the website under Products/Product Finder
	Polarity	Auto-polarity for automatic correction of crossed TxD and RxD pairs
	Supported connections	<ul style="list-style-type: none"> ▪ 1 x AR (IO Controller AR) ▪ 1 x AR (IO-Supervisor Device AR connection allowed) ▪ 1 x Input CR (Communication Relation) ▪ 1 x Output CR (Communication Relation) ▪ 1 x Alarm CR (Communication Relation)
	Configuration options for measuring device	<ul style="list-style-type: none"> ▪ Web browser ▪ Manufacturer-specific software (FieldCare, DeviceCare) ▪ Device master file (GSD), can be read out via the integrated web server of the measuring device
	Configuration of the device name	DCP protocol
Supported functions	<ul style="list-style-type: none"> ▪ Identification & maintenance Simple device identification via: <ul style="list-style-type: none"> ▪ Process control system ▪ Nameplate ▪ Measured value status The process variables are communicated with a measured value status ▪ Blinking feature (FLASH_ONCE) via the local display for simple device identification and assignment ▪ Device operation via operating tools (e.g. FieldCare, DeviceCare) 	
System integration	For information on system integration, see the Operating Instructions <ul style="list-style-type: none"> ▪ Cyclic data transmission ▪ Overview and description of the modules ▪ Status coding ▪ Startup configuration ▪ Factory setting 	

Power supply

Supply voltage	<ul style="list-style-type: none"> ▪ 100 to 120 V AC / 200 to 240 V AC ▪ 50 or 60 Hz
-----------------------	--

Fieldbus connection	Supply voltage: not applicable
----------------------------	--------------------------------

Power consumption 180 VA

Cable entries

- 4 x bores for M16, G3/8, NPT3/8", Memosens connection ¹⁾
- 4 x bores for M20, G1/2, NPT1/2"

Cable gland	Permitted cable diameter
M16x1.5 mm	4 to 8 mm (0.16 to 0.32")
M12x1.5 mm (for order version M12 socket for Memosens sensors)	2 to 5 mm (0.08 to 0.20")
M20x1.5 mm	6 to 12 mm (0.24 to 0.48")
NPT ³ / ₈ "	4 to 8 mm (0.16 to 0.32")
G ³ / ₈	4 to 8 mm (0.16 to 0.32")
NPT ¹ / ₂ "	6 to 12 mm (0.24 to 0.48")
G ¹ / ₂	7 to 12 mm (0.28 to 0.48")



Cable glands mounted at the factory are tightened with 2 Nm.

Connecting optional modules With extension modules you can purchase additional functions for your device.

NOTICE

Unacceptable hardware combinations (due to conflicts in power supply)

Incorrect measurements or total failure of the measuring point as a result of heat build-up or overloading

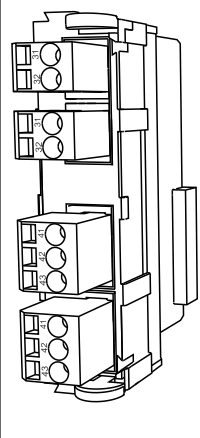
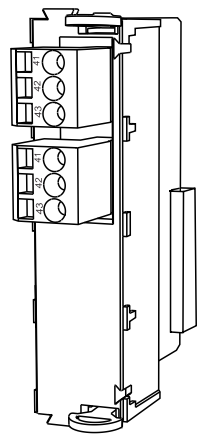
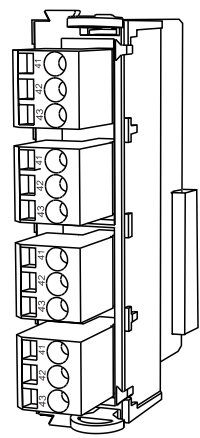
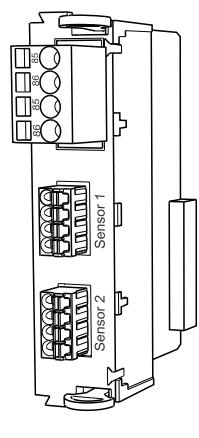
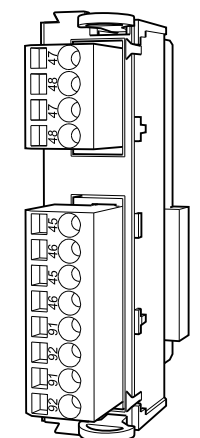
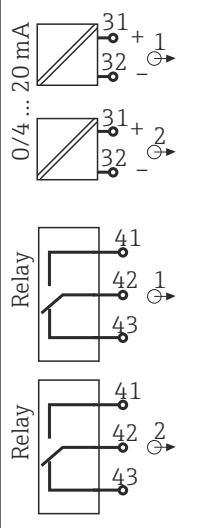
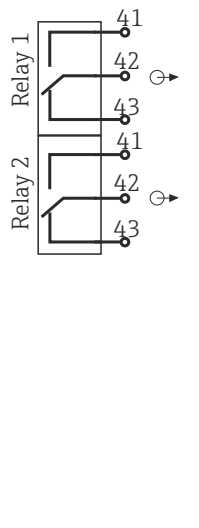
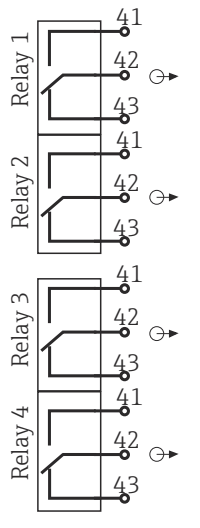
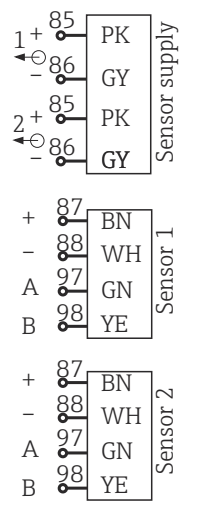
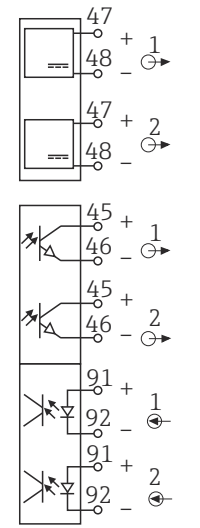
- ▶ Find out if the planned upgrade of your device results in a permitted hardware combination (configurator on www.endress.com).
- ▶ A maximum of eight current inputs and current outputs is permitted.
- ▶ A maximum of two "DIO" modules is permitted.
- ▶ Please contact your Endress+Hauser sales center should you have any questions.

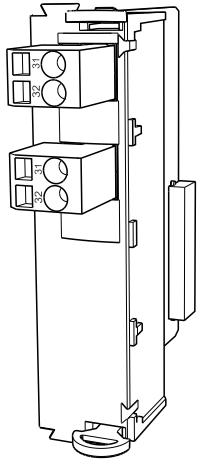
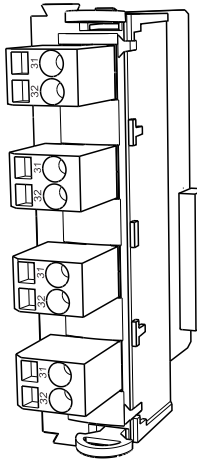
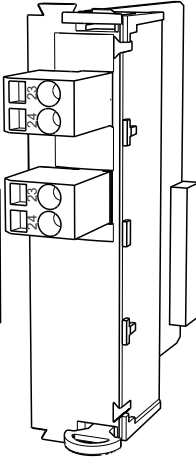
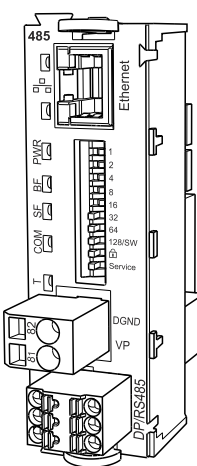
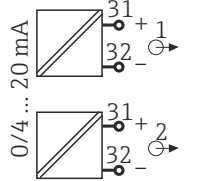
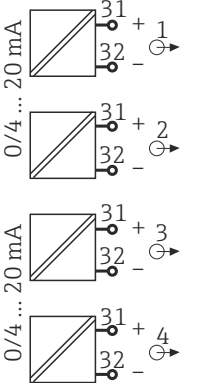
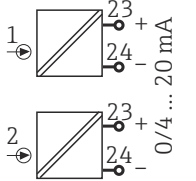
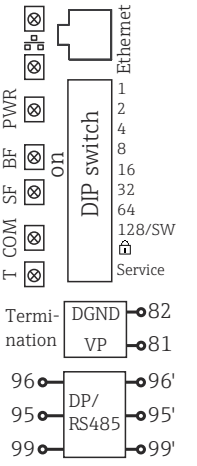


Cable entries and possible cable diameters

1)

Overview of all the optional modules

Module name				
AOR	2R	4R	2DS	DIO
				
<ul style="list-style-type: none"> 2 x 0/4 to 20 mA analog outputs 2 relays Order No. 71111053 	<ul style="list-style-type: none"> 2 relays Order No. 71125375 	<ul style="list-style-type: none"> 4 relays Order No. 71125376 	<ul style="list-style-type: none"> 2 digital sensor inputs 2 power supply systems for digital sensors Order No. 71135631 	<ul style="list-style-type: none"> 2 digital inputs 2 digital outputs with auxiliary voltage Order No. 71135638
				

Module name				
2AO	4AO	2AI	485	
				
<ul style="list-style-type: none"> 2 x 0/4 to 20 mA analog outputs Order No. 71135632 	<ul style="list-style-type: none"> 4 x 0/4 to 20 mA analog outputs Order No. 71135633 	<ul style="list-style-type: none"> 2 x 0/4 to 20 mA analog inputs Order No. 71135639 	<ul style="list-style-type: none"> Ethernet (web server or Modbus TCP) Order No. 71135634 	
				

PROFIBUS DP (module 485)

Contacts 95, 96 and 99 are jumpered in the connector. This ensures that PROFIBUS communication is not interrupted if the connector is disconnected.

Sensor connection (optional) *Sensors with Memosens protocol*

Sensor types	Sensor cable	Sensors
Digital sensors without additional internal power supply	With plug-in connection and inductive signal transmission	<ul style="list-style-type: none"> ▪ pH sensors ▪ ORP sensors ▪ Combined sensors ▪ Oxygen sensors (amperometric and optical) ▪ Conductivity sensors with conductive measurement of conductivity ▪ Chlorine sensors (disinfection)
	Fixed cable	Conductivity sensors with inductive measurement of conductivity
Digital sensors with additional internal power supply	Fixed cable	<ul style="list-style-type: none"> ▪ Turbidity sensors ▪ Sensors for interface measurement ▪ Sensors for measuring the spectral absorption coefficient (SAC) ▪ Nitrate sensors ▪ Optical oxygen sensors ▪ Ion-sensitive sensors

Performance characteristics

Maximum measured error ²⁾	0 to 10 mg/l (ppm) N (undiluted)	0.1 mg/l (ppm) N ≤ 2 mg/l 3 % end of measuring range > 2mg/l
	0 to 20 / 50 / 100 mg/l (ppm) N	3 % end of measuring range
	0 to 200 mg/l (ppm) N	5 % end of measuring range

Maximum measured error for sensor inputs → Documentation of the connected sensor

Maximum measured error for current inputs and outputs Typical measured errors:
 < 20 µA (with current values < 4 mA)
 < 50 µA (with current values 4 to 20 mA)
 at 25 °C (77° F) in each case
 Additional measured error depending on the temperature:
 < 1.5 µA/K

LOD (limit of detection) 0.06mg/l (ppm) N³⁾

Repeatability ²⁾	Measuring range	Repeatability
	0 to 10 mg/l (ppm) N	0.06 mg/l (ppm) N or 3 % of the measured value
0 to 20 mg/l (ppm) N	0.12 mg/l (ppm) N or 3 % of the measured value	
0 to 50 mg/l (ppm) N	0.3 mg/l (ppm) N or 3 % of the measured value	
0 to 100 mg/l (ppm) N	0.6 mg/l (ppm) N or 3 % of the measured value	
0 to 200 mg/l (ppm) N	2 mg/l (ppm) N or 5 % of the measured value	

Repeatability of sensor inputs → Documentation of the connected sensor

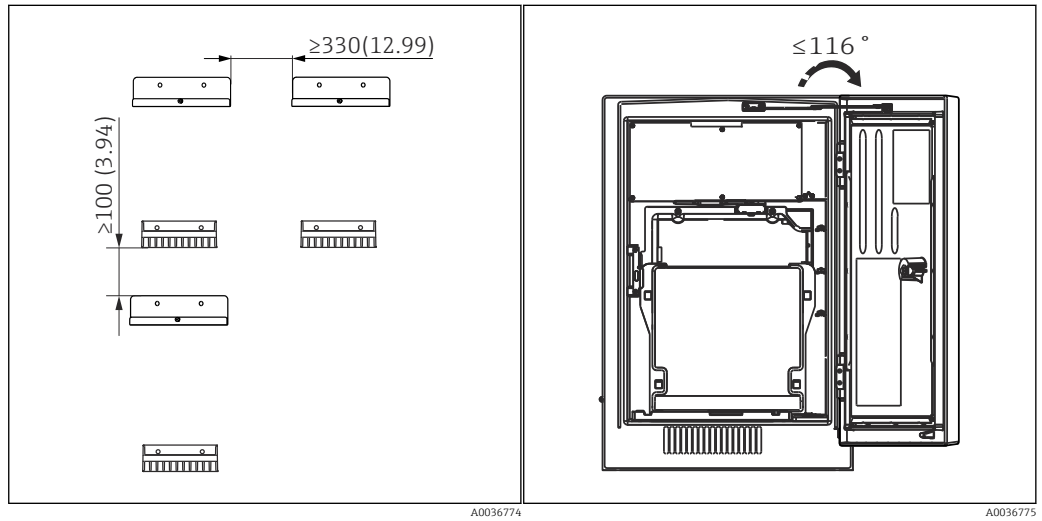
2) Measured errors include all the uncertainties of the analyzer. They do not include the uncertainties from the standard solutions used as a reference.
 3) In the undiluted range

Measuring interval	Continuous (approx. 55 min), adjustable 45 min to 24 h
Sample requirement	Without dilution module 27 ml (0.91 fl oz) With dilution module <ul style="list-style-type: none"> ■ Sample: 15 ml (0.51 fl oz) ■ Dilution water: approx. 20 ml (0.68 fl.oz) per measurement Use demineralized water for expected sample concentrations of < 50 mg/l (ppm).
Reagent requirement	<ul style="list-style-type: none"> ■ RB 1.35 ml (0.05 fl oz) per reagent and measurement ■ RK 0.9 ml (0.03 fl oz) per reagent and measurement ■ Given a measuring interval of 1 hour, one set of reagents lasts for 3 months
Standard requirement	Given a calibration interval of 96 h approx. 330 ml (11.2 fl.oz) per month
Calibration interval	4 days
Maintenance interval	Once weekly, depending on the application
Maintenance effort	<ul style="list-style-type: none"> ■ Weekly: visual inspection ■ Monthly: 1 hour

Mounting

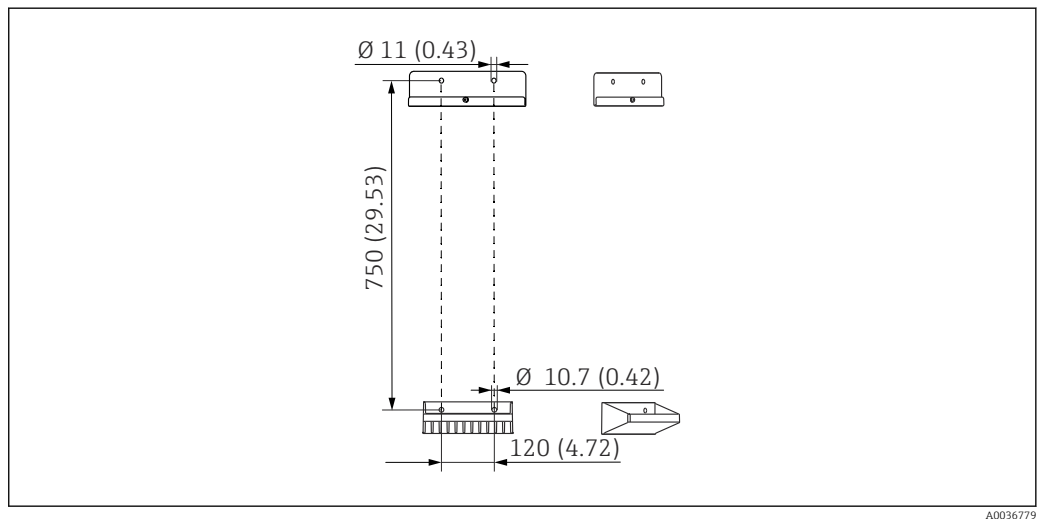
Mounting location	<p>Note the following when erecting the device:</p> <ul style="list-style-type: none"> ▶ If mounting on a wall, make sure that the wall has sufficient load-bearing capacity and is fully perpendicular. ▶ If mounting on a base, erect the device on a level surface. ▶ Protect the device against additional heating (e.g. from a heating system). ▶ Protect the device against mechanical vibrations. ▶ Protect the device against corrosive gases, e.g. hydrogen sulfide (H₂S) . ▶ Make sure to pay attention to the maximum height difference and the maximum distance from the sampling point. ▶ Ensure that the unit can drain freely, without any siphoning effects. ▶ Make sure air can circulate freely at the front of the housing. ▶ Open analyzers (i.e. analyzers that are supplied without a door) may only be erected in closed areas or in a protective cabinet or similar facility.
Installation instructions	<p>The device can be installed in the following ways:</p> <ul style="list-style-type: none"> ■ Mounted on a wall ■ Mounted on a base

Spacing required for installing analyzer



10 Minimum spacing required for mounting. Engineering unit mm (in). 11 Maximum opening angle

Spacing required for installing wall-mount version



12 Holder unit dimensions. Engineering unit mm (in)

Environment

Ambient temperature range	+5 to +40 °C (41 to 104 °F)
Storage temperature	-20 to 60 °C (-4 to 140 °F)
Relative humidity	10 to 95 %, non-condensing
Degree of protection	IP55 (cabinet, analyzer stand), TYPE 3R (cabinet)
Electromagnetic compatibility⁴⁾	Interference emission and interference immunity as per EN 61326-1:2013, Class A for Industry

4) Sufficient mains quality is required to operate the product as designated.

Electrical safety	According to EN/IEC 61010-1:2010, Class I equipment Low voltage: overvoltage category II For installations up to 2000 m (6500 ft) above MSL
--------------------------	---

Pollution degree	Pollution level 2
-------------------------	-------------------

Process

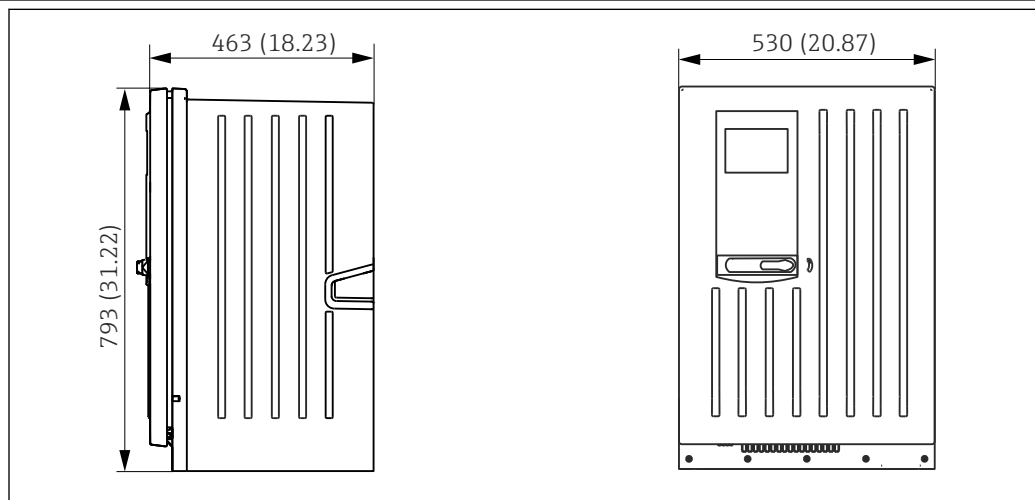
Sample temperature	4 to 40 °C (39 to 104 °F)
---------------------------	---------------------------

Consistency of the sample	Low solids content, aqueous, homogenized
----------------------------------	--

Sample supply	<p>Analyzer (without optional Y strainer): Unpressurized</p> <p>Y strainer (optional):</p> <ul style="list-style-type: none"> ■ Permitted pressure range: max. 4 bar (58.01 psi) ■ Flow: ensure sufficient flow for a Y strainer that is completely filled ⁵⁾
----------------------	--

Mechanical construction

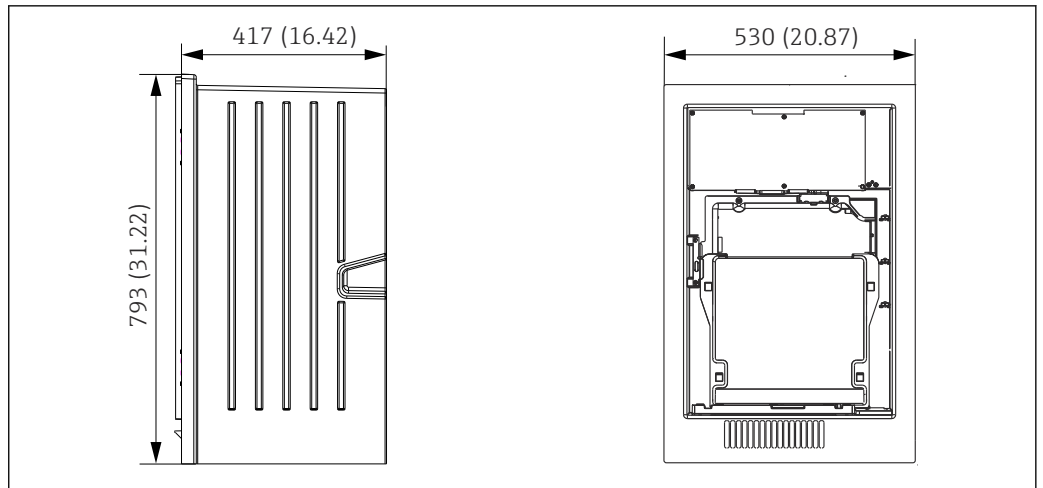
Dimensions



13 Liquiline System CA80 closed version, dimensions in mm (in)

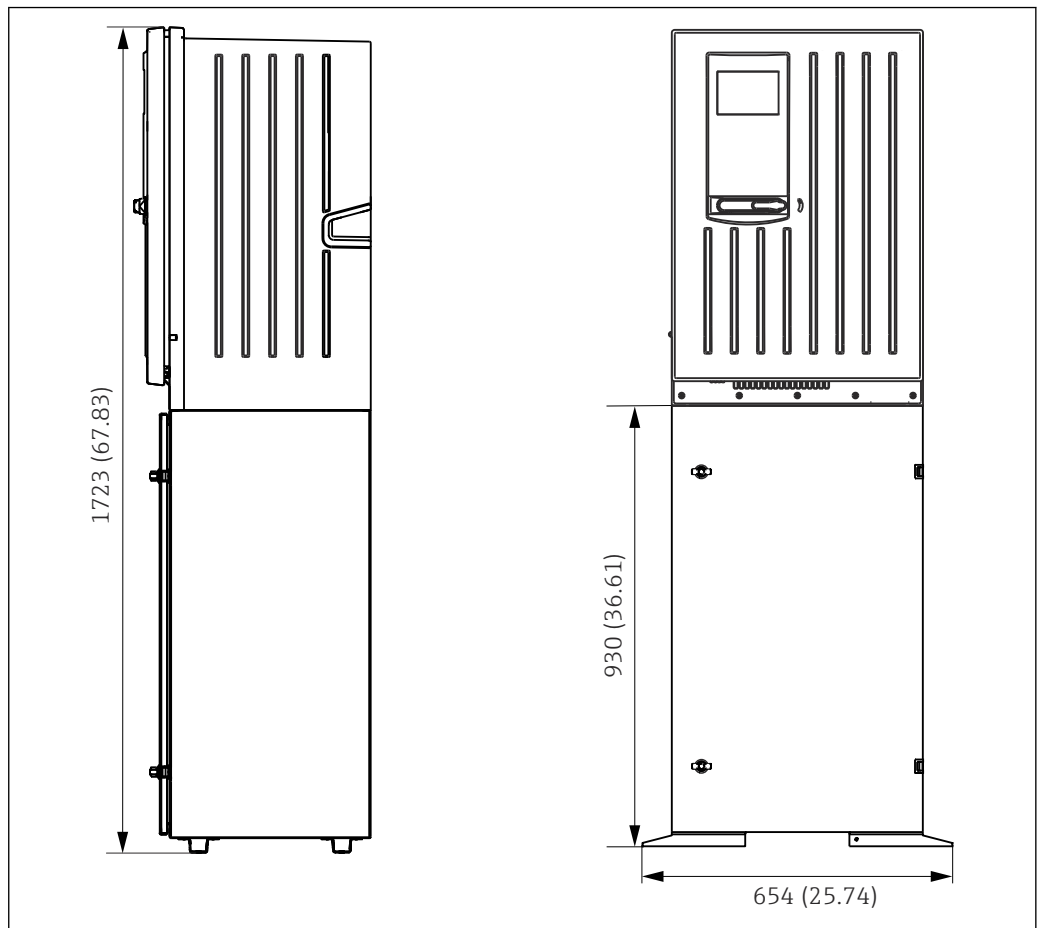
A0028820

5) The greater the flow the greater the self-cleaning effect of the suction line. Preferred: > 1 m³/h



A0030419

14 Liquiline System CA80 open version, dimensions in mm (in)



A0028821

15 Liquiline System CA80 with base, dimensions in mm (in)

Materials

Parts not in contact with medium	
Cabinet version, exterior cover	Plastic ASA+PC
Open installation, exterior cover	
Cabinet version, interior lining	Plastic PP
Open installation, interior lining	
Window	Shatterproof glass, coated

Reagent container	Plastic PP
Base, analyzer stand	Powder-coated sheet steel

Parts in contact with medium	
<ul style="list-style-type: none"> ▪ Manifold ▪ Valve seals ▪ Pinch valve 	<ul style="list-style-type: none"> ▪ Plastic ETFE ▪ Plastic FKM ▪ Plastic PP and PCTFE
Hoses	<ul style="list-style-type: none"> ▪ PTFE ▪ Sample hose: PharMed ▪ Hoses of reactor valves into waste: C-Flex
Reactor <ul style="list-style-type: none"> ▪ Reactor valves ▪ Seal 	<ul style="list-style-type: none"> ▪ PTFE ▪ FFKM plastic

Hose entries 4 x bores for M32 for sample inflow and outflow

Hose specification

Analyzer:

- Clearance: max. 5.0 m (16.4 ft)
- Height: max. 2 m (6.6 ft)
- Hose ID: 1.6 mm ($\frac{1}{16}$ in)

Y strainer (optional):

- Hose to analyzer:
 - ID 1.6 mm ($\frac{1}{16}$ in)
 - OD 3.2 mm ($\frac{1}{8}$ in)
- Hose to process:
 - ID 0.8 mm ($\frac{1}{32}$ in)
 - OD 1.6 mm ($\frac{1}{16}$ in)

Process connection, optional Y strainer Adhesive fitting, ID 40 mm, straight

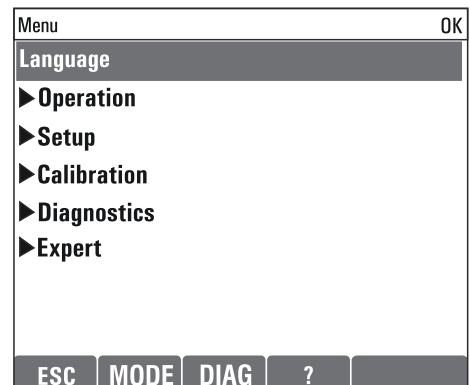
Operability

Operating concept The simple and structured operating concept sets new standards:

- Intuitive operation with the navigator and soft keys
- Fast configuration of application-specific measurement options
- Easy configuration and diagnosis thanks to plain-text display
- All languages that can be ordered are available in every device



16 Easy operation



17 Plain-text menu

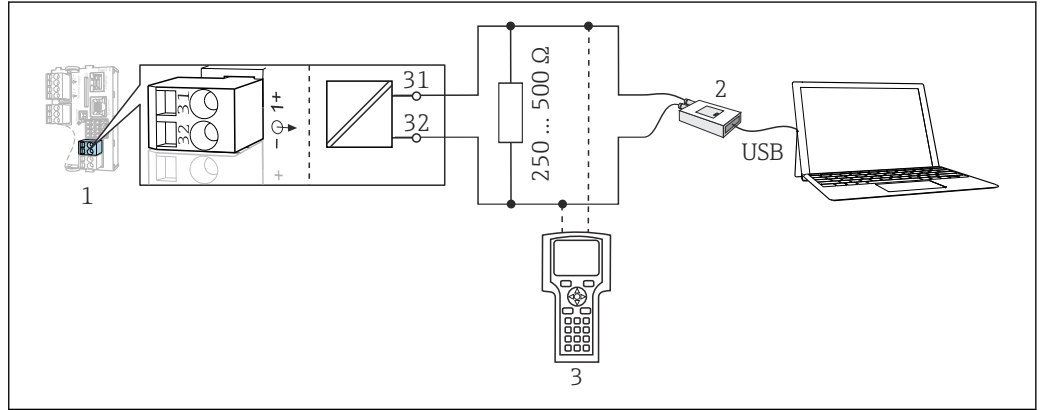
Display

Graphic display:

- Resolution: 240 x 160 pixel
- Back light with switch-off function
- Red display background for alarms alerts users to errors
- Transflective display technology for maximum contrast even in bright environments

Remote operation

Via HART (e.g. via HART modem and FieldCare)



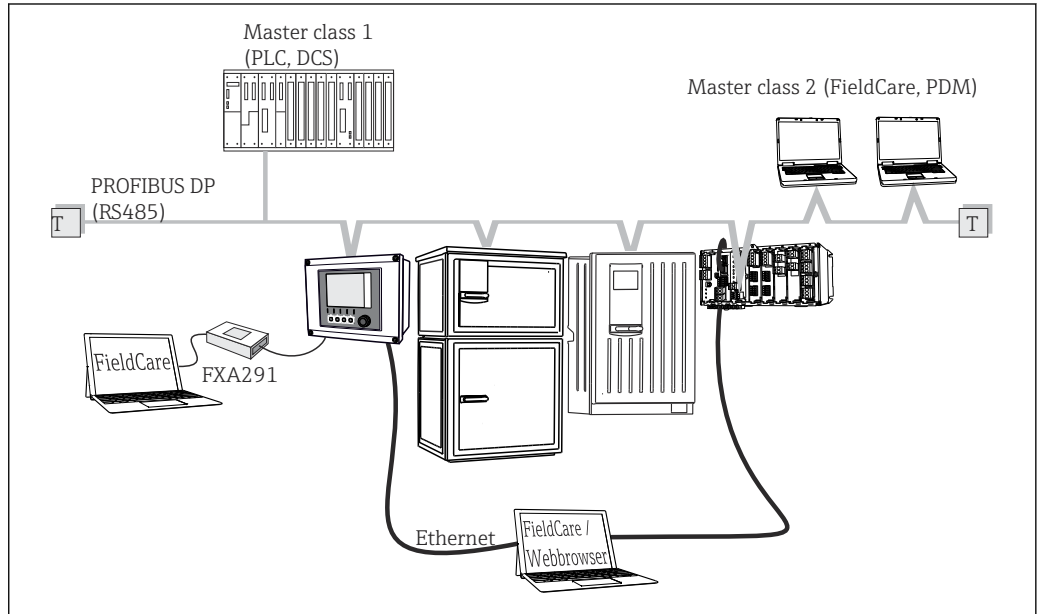
A0039620

18 HART using modem

- 1 Device module Base2-E: current output 1 with HART
- 2 HART modem for connection to PC, e.g. Commubox FXA191 (RS232) or FXA195 ¹⁾ (USB)
- 3 HART handheld terminal

¹⁾ Switch position "on" (substitutes the resistor)

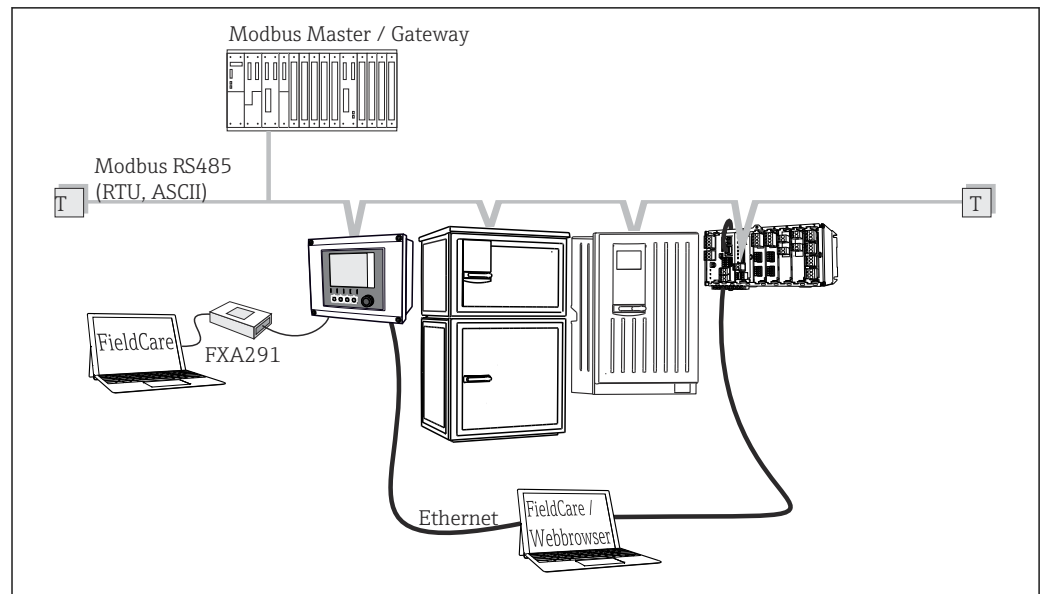
Via PROFIBUS DP



A0039617

19 PROFIBUS DP

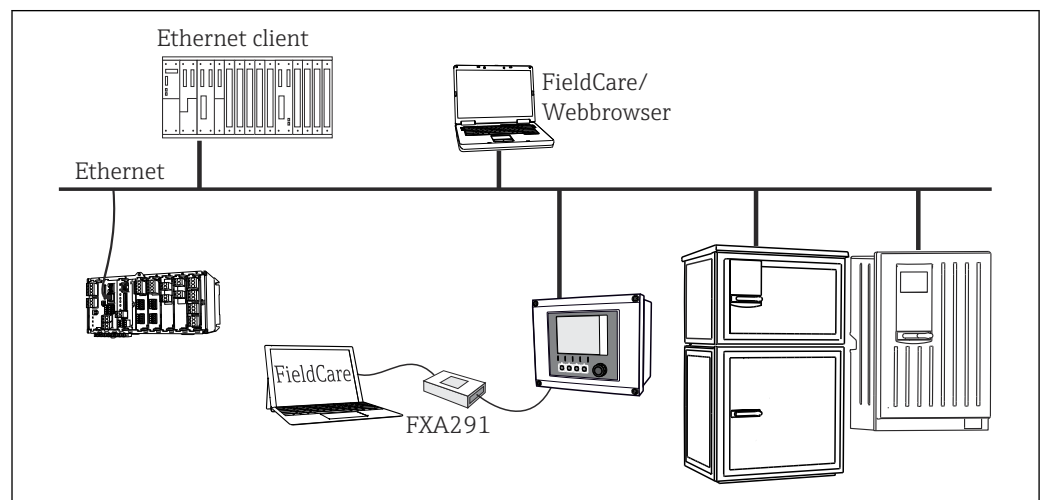
T Terminating resistor

Via Modbus RS485

A0039615

20 Modbus RS485

T Terminating resistor

Via Ethernet: web server/Modbus TCP/PROFINET/Ethernet/IP

A0039616

21 Modbus TCP or EtherNet/IP or PROFINET

Language packages

The language selected in the product structure is the operating language preset at the factory. All other languages can be selected using the menu.

- English (US)
- German
- Chinese (Simplified, PR China)
- Czech
- Dutch
- French
- Italian
- Japanese
- Polish
- Portuguese
- Russian
- Spanish
- Turkish

- Hungarian
- Croatian
- Vietnamese

The availability of other languages can be checked via the product structure at www.endress.com/.


Certificates and approvals

Current certificates and approvals that are available for the product can be selected via the Product Configurator at www.endress.com:

1. Select the product using the filters and search field.
2. Open the product page.
3. Select **Configuration**.

Ordering information

Product Configurator

1. **Configure:** Click this button on the product page.
 2. Select **Extended selection**.
 - ↳ The Configurator opens in a separate window.
 3. Configure the device according to your requirements by selecting the desired option for each feature.
 - ↳ In this way, you receive a valid and complete order code for the device.
 4. **Apply:** Add the configured product to the shopping cart.
-  For many products, you also have the option of downloading CAD or 2D drawings of the selected product version.
5. **Show details:** Open this tab for the product in the shopping cart.
 - ↳ The link to the CAD drawing is displayed. If selected, the 3D display format is displayed along with the option to download various formats.

Scope of delivery

The scope of delivery comprises:

- 1 analyzer in the version ordered with optional hardware
- 1 x Brief Operating Instructions (hard copy)
- 1 x Maintenance Manual
- Optional accessories

Accessories

The following are the most important accessories available at the time this documentation was issued.

Listed accessories are technically compatible with the product in the instructions.

1. Application-specific restrictions of the product combination are possible. Ensure conformity of the measuring point to the application. This is the responsibility of the operator of the measuring point.
2. Pay attention to the information in the instructions for all products, particularly the technical data.
3. For accessories not listed here, please contact your Service or Sales Center.

Device-specific accessories

Consumables

You can find the order codes on the website: <https://www.endress.com/device-viewer>.

1. Indicate the serial number of the device.

2. Search.
 - ↳ Device information is displayed.
3. Select the "Spare parts" tab.
4. Click the product root.
 - ↳ The complete product structure is displayed.

The following consumables are available:

- Reagent and standard solutions
CY80TN
- Cleaner CY800 (for hoses in the device)

Sensors

pH glass electrodes

Memosens CPS11E

- pH sensor for standard applications in process and environmental engineering
- Digital with Memosens 2.0 technology
- Product Configurator on the product page: www.endress.com/cps11e



Technical Information TI01493C

Memosens CPS41E

- pH sensor for process technology
- With ceramic junction and KCl liquid electrolyte
- Digital with Memosens 2.0 technology
- Product Configurator on the product page: www.endress.com/cps41e



Technical Information TI01495C

Memosens CPS71E

- pH sensor for chemical process applications
- With ion trap for poison-resistant reference
- Digital with Memosens 2.0 technology
- Product Configurator on the product page: www.endress.com/cps71e



Technical Information TI01496C

Memosens CPS91E

- pH sensor for heavily polluted media
- With open aperture
- Digital with Memosens 2.0 technology
- Product Configurator on the product page: www.endress.com/cps91e



Technical Information TI01497C

Memosens CPS31E

- pH sensor for standard applications in drinking water and swimming pool water
- Digital with Memosens 2.0 technology
- Product Configurator on the product page: www.endress.com/cps31e



Technical Information TI01574C

Memosens CPS71E

- pH sensor for chemical process applications
- Digital with Memosens 2.0 technology
- Product Configurator on the product page: www.endress.com/cps71e



Technical Information TI01496C

Memosens CPS91E

- pH sensor for heavily polluted media
- Digital with Memosens 2.0 technology
- Product Configurator on the product page: www.endress.com/cps91e



Technical Information TI01497C

Ceramax CPS341D

- pH electrode with pH-sensitive enamel
- Meets highest demands of measuring accuracy, pressure, temperature, sterility and durability
- Product Configurator on the product page: www.endress.com/cps341d



Technical Information TI00468C

Memosens CPF81E

- pH sensor for mining operations, industrial water and wastewater treatment
- Digital with Memosens 2.0 technology
- Product Configurator on the product page: www.endress.com/cpf81e



Technical Information TI01594C

ORP electrodes

Memosens CPS12E

- ORP sensor for standard applications in process and environmental engineering
- Digital with Memosens 2.0 technology
- Product Configurator on the product page: www.endress.com/cps12e



Technical Information TI01494C

Memosens CPS42E

- ORP sensor for process technology
- Digital with Memosens 2.0 technology
- Product Configurator on the product page: www.endress.com/cps42e



Technical Information TI01575C

Memosens CPS72E

- ORP sensor for chemical process applications
- Digital with Memosens 2.0 technology
- Product Configurator on the product page: www.endress.com/cps72e



Technical Information TI01576C

Memosens CPS92E

- ORP sensor for use in heavily polluted media
- Digital with Memosens 2.0 technology
- Product Configurator on the product page: www.endress.com/cps92e



Technical Information TI01577C

Memosens CPF82E

- ORP sensor for mining operations, industrial water and wastewater treatment
- Digital with Memosens 2.0 technology
- Product Configurator on the product page: www.endress.com/cpf82e



Technical Information TI01595C

Conductivity sensors with inductive measurement of conductivity

Indumax CLS50D

- High-durability inductive conductivity sensor
- For standard and hazardous area applications
- With Memosens technology
- Product Configurator on the product page: www.endress.com/cls50d



Technical Information TI00182C

*Conductivity sensors with conductive measurement of conductivity***Memosens CLS21E**

- Digital conductivity sensor for media with medium or high conductivity
- Conductive measurement
- With Memosens 2.0
- Product Configurator on the product page: www.endress.com/cls21e



Technical Information TI01528C

*Oxygen sensors***Memosens COS51E**

- Amperometric oxygen sensor for water, wastewater and utilities
- Digital with Memosens 2.0 technology
- Product Configurator on the product page: www.endress.com/cos51e



Technical Information TI01620C

Memosens COS81E

- Hygienic optical oxygen sensor with maximum measurement stability over multiple sterilization cycles
- Digital with Memosens 2.0 technology
- Product Configurator on the product page: www.endress.com/cos81e



Technical Information TI01558C

Memosens COS22E

- Hygienic amperometric oxygen sensor with maximum measurement stability over multiple sterilization cycles
- Digital with Memosens 2.0 technology
- Product Configurator on the product page: www.endress.com/cos22e



Technical Information TI01619C

*Chlorine dioxide and chlorine sensors***Memosens CCS50D**

- Membrane-covered amperometric sensor for chlorine dioxide
- With Memosens technology
- Product Configurator on the product page: www.endress.com/ccs50d



Technical Information TI01353C

Memosens CCS51D

- Sensor for measuring free chlorine
- Product configurator on the product page: www.endress.com/ccs51d



Technical Information TI01423C

*Ion-selective sensors***ISEmax CAS40D**

- Ion selective sensors
- Product Configurator on the product page: www.endress.com/cas40d



Technical Information TI00491C

*Turbidity sensors***Turbimax CUS51D**

- For nephelometric measurements of turbidity and solids in wastewater
- 4-beam scattered light method
- With Memosens technology
- Product Configurator on the product page: www.endress.com/cus51d



Technical Information TI00461C

Turbimax CUS52D

- Hygienic Memosens sensor for turbidity measurement in drinking water, process water and in utilities
- With Memosens technology
- Product Configurator on the product page: www.endress.com/cus52d

 Technical Information TI01136C

SAC and nitrate sensors

Viomax CAS51D

- SAC and nitrate measurement in drinking water and wastewater
- With Memosens technology
- Product Configurator on the product page: www.endress.com/cas51d

 Technical Information TI00459C

Interface measurement

Turbimax CUS71D

- Immersion sensor for interface measurement
- Ultrasonic interface sensor
- Product Configurator on the product page: www.endress.com/cus71d

 Technical Information TI00490C

Cable junction with Velcro strip

- 4 pieces, for sensor cable
- Order No. 71092051

Communication-specific accessories

Additional functionality

- ▶ Always quote the serial number of your device when ordering activation codes.

	Communication; software
51516983	Commubox FXA291 (hardware)
71127100	SD card with Liquiline Firmware, 1 GB, Industrial Flash Drive
71135636	Activation code for Modbus RS485
71219871	Activation code for EtherNet/IP
71135635	Activation code for Profibus DP for module 485
71449914	Upgrade code for EtherNet/IP+web server for BASE2
71449915	Upgrade code for Modbus TCP+web server for BASE2
71449918	Upgrade code for web server for BASE2
71449901	Upgrade code for PROFINET+web server for BASE2
71249548	Kit CA80: activation code for 1st digital sensor input
71249555	Kit CA80: activation code for 2nd digital sensor input

	Retrofit kits
71136999	Kit CSF48/CA80: retrofit service interface (CDI flange connector, counter nut)
71111053	Kit module AOR: 2 x relay, 2 x analog output 0/4 to 20 mA
71125375	Kit module 2R: 2 x relay
71125376	Kit module 4R: 4 x relay
71135632	Kit module 2AO: 2 x analog output 0/4 to 20 mA
71135633	Kit module 4AO: 4 x analog output 0/4 to 20 mA
71135631	Kit module 2DS: 2 x digital sensor, Memosens

	Retrofit kits
71135634	Kit module 485: PROFIBUS DP or Modbus RS485. This requires an additional activation code which can be ordered separately.
71135638	Kit module DIO: 2 x digital input; 2 x digital output; auxiliary power supply for digital output
71135639	Kit module 2AI: 2 x analog input 0/4 to 20 mA
71140888	Upgrade kit module 485 + Profibus DP
71140889	Upgrade kit module 485 + Modbus RS485
71141366	Kit, extension backplane module

Software

Memobase Plus CYZ71D

- PC software to support laboratory calibration
- Visualization and documentation of sensor management
- Sensor calibrations stored in database
- Product Configurator on the product page: www.endress.com/cyz71d



Technical Information TI00502C

Field Data Manager Software MS20/21

- PC software for central data management
- Visualization of series of measurements and logbook events
- SQL database for secure data storage

System components

Measuring cable

Memosens data cable CYK10

- For digital sensors with Memosens technology
- Product Configurator on the product page: www.endress.com/cyk10



Technical Information TI00118C

Memosens data cable CYK11

- Extension cable for digital sensors with Memosens protocol
- Product Configurator on the product page: www.endress.com/cyk11



Technical Information TI00118C

Measuring cable CYK81

- Unterminated cable for extending sensor cables (e.g. Memosens, CUS31/CUS41)
- 2 x 2 cores, twisted with shielding and PVC sheath (2 x 2 x 0.5 mm² + shielding)
- Sold by meter, Order No.: 51502543

SD card

- Industrial Flash Drive, 1 GB
- Order number: 71110815



www.addresses.endress.com
