

Technical Information

Memosens CCS50E

Digital sensor with Memosens technology for determining chlorine dioxide



Application

The Memosens CCS50E chlorine dioxide sensor for skid builders and end customers enables reliable measurement in:

- Cooling water and applications – to avoid pathogen and biofilm growth
- Process water – for hygienic and safe packaging and bottling in the food industry
- Beverage and reverse osmosis plants – to ensure the absence of chlorine dioxide
- Drinking water – to guarantee sufficient disinfection

Your benefits

- Wide measuring range: from trace measurement up to chlorine dioxide concentrations of 200 mg/l.
- Easy installation: sensor can be installed in the Flowfit CYA27 modular flow assembly or in an immersion assembly. The improved polarization time enables quick commissioning.
- Fast response time ensures accurate process overview and enables prompt response to process changes, as well as efficient process control.
- Increased process safety: accuracy and long-term stability of measurements guarantee consistent process monitoring and allow for the dosing of the lowest possible chlorine dioxide concentrations.
- Higher plant availability as a result of fast sensor exchange: thanks to the Memosens 2.0 technology, the sensor can be precalibrated in the lab and exchanged in the process using plug & play.
- Easy to combine with other relevant parameters thanks to connection to Liquiline multiparameter transmitter.

Other advantages provided by Memosens technology

- Maximum process safety
- Data security thanks to digital data transmission
- Very easy to use as sensor data are saved in the sensor
- Predictive maintenance can be performed by recording sensor load data in the sensor

Table of contents

Function and system design	3	Scope of delivery	11
Measuring principle	3	Accessories	11
Operating principle	3	Maintenance kit CCV05	11
Cross-sensitivity	3	Device-specific accessories	11
Measuring system	3		
Dependability	4		
Input	5		
Measured variables	5		
Measuring range	5		
Signal current	5		
Power supply	5		
Electrical connection	5		
Performance characteristics	5		
Reference operating conditions	5		
Response time	5		
Polarization time	6		
Measured value resolution of sensor	6		
Measurement error	6		
Repeatability	6		
Nominal slope	6		
Long-term drift	6		
Operating time of the electrolyte	6		
Intrinsic consumption	6		
Mounting	6		
Orientation	6		
Immersion depth	7		
Installation instructions	7		
Environment	9		
Ambient temperature	9		
Storage temperature	9		
Degree of protection	9		
Process	9		
Process temperature	9		
Process pressure	9		
pH range	9		
Conductivity	9		
Flow	10		
Flow	10		
Mechanical construction	10		
Dimensions	10		
Weight	10		
Materials	10		
Cable specification	10		
Certificates and approvals	10		
Ordering information	11		
Product page	11		
Product Configurator	11		

Function and system design

Measuring principle

Chlorine dioxide levels are determined in accordance with the amperometric measuring principle.

The chlorine dioxide (ClO_2) contained in the medium diffuses through the sensor membrane and is reduced to chloride ions (Cl^-) at the working electrode. At the counter electrode, silver is oxidized to silver chloride. Electron donation at the working electrode and electron acceptance at the counter electrode causes a current to flow which is proportional to the concentration of chlorine dioxide in the medium. This process does not depend on the pH value over a wide range.

The transmitter uses the current signal to calculate the measured variable for concentration in mg/l (ppm).

Operating principle

The sensor consists of:

- Membrane cap (measuring chamber with membrane)
- Sensor shaft with counter-electrode with large surface area and a working electrode embedded in plastic

The electrodes are in an electrolyte which is separated from the medium by a membrane. The membrane prevents the electrolyte from leaking and protects against contaminant penetration.

The measuring system is calibrated by means of a colorimetric comparison measurement in accordance with the DPD method for chlorine dioxide. The calibration value determined is entered in the transmitter.

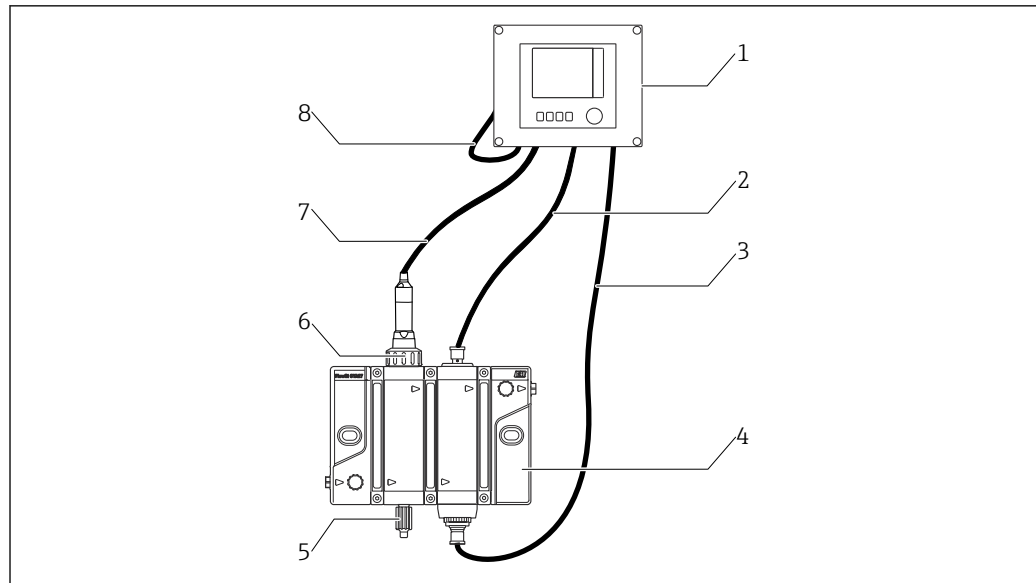
Cross-sensitivity

- There are cross-sensitivities for: free chlorine, ozone, free bromine.
 - There are no cross-sensitivities for: H_2O_2 , peracetic acid.
-

Measuring system

A complete measuring system comprises:

- Disinfection sensor CCS50E (membrane-covered, $\varnothing 25$ mm) with appropriate mounting adapter
- Flowfit CYA27 flow assembly
- Measuring cable CYK10, CYK20
- Transmitter, e.g. Liquiline CM44x with firmware 01.13.00 or higher or CM44xR with firmware 01.13.00 or higher
- Optional: extension cable CYK11
- Optional: proximity switch
- Optional: Flexdip CYA112 immersion assembly
- Optional: pH sensor CPS31E



A0044943

1 Example of a measuring system

- 1 Transmitter Liquiline CM44x or CM44xR
- 2 Cable for inductive switch
- 3 Cable for status lighting on assembly
- 4 Flowfit CYA27 flow assembly
- 5 Sampling valve
- 6 Disinfection sensor Memosens CCS50E (membrane-covered, $\varnothing 25$ mm)
- 7 Measuring cable CYK10
- 8 Power supply cable Liquiline CM44x or CM44xR

Dependability

Reliability

Memosens

Memosens makes your measuring point safer and more reliable:

- Non-contact, digital signal transmission enables optimum galvanic isolation
- Dust- and waterproof (IP 68)
- Sensor can be calibrated in a lab, thus increasing the availability of the measuring point in the process
- Intrinsically safe electronics mean operation in hazardous areas is not a problem.
- Predictive maintenance thanks to recording of sensor data, e.g.:
 - Total hours of operation
 - Hours of operation with very high or very low measured values
 - Hours of operation at high temperatures
 - Calibration history

Ease of maintenance

Easy handling

Sensors with Memosens technology have integrated electronics that store calibration data and other information (e.g. total operating hours or operating hours under extreme measuring conditions). Once the sensor has been connected, the sensor data are transferred automatically to the transmitter and used to calculate the current measured value. As the calibration data are stored in the sensor, the sensor can be calibrated and adjusted independently of the measuring point. The result:

- Easy calibration in the measuring lab under optimum external conditions increases the quality of the calibration.
- Pre-calibrated sensors can be replaced quickly and easily, resulting in a dramatic increase in the availability of the measuring point.
- The availability of sensor data means that maintenance intervals can be accurately defined and predictive maintenance is possible.
- The sensor history can be documented with external storage media and evaluation programs.
- The application range of the sensor can be determined based on its previous history.

Safety

Data security thanks to digital data transmission

Memosens technology digitizes the measured values in the sensor and transmits the data to the transmitter via a non-contact connection that is free from potential interference. The result:

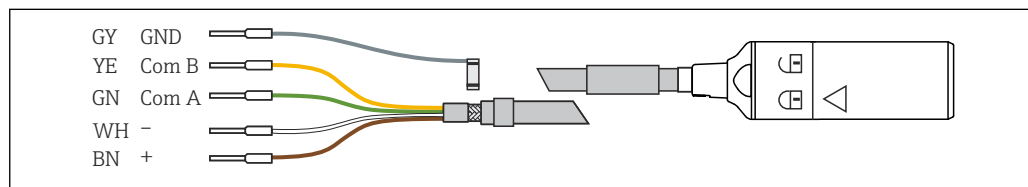
- Automatic error message if sensor fails or connection between sensor and transmitter is interrupted
- Immediate error detection increases measuring point availability

Input

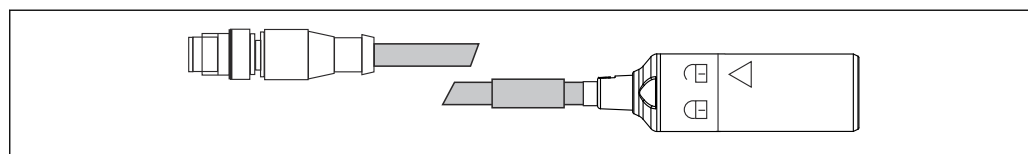
Measured variables	Chlorine dioxide (ClO ₂) Temperature	[mg/l, µg/l, ppm, ppb] [°C, °F]
Measuring range	CCS50E-**11AD** CCS50E-**11BF** CCS50E-**11CJ**	0 to 5 mg/l (ppm) ClO ₂ 0 to 20 mg/l (ppm) ClO ₂ 0 to 200 mg/l (ppm) ClO ₂
Signal current	CCS50E-**11AD** CCS50E-**11BF** CCS50E-**11CJ**	135 to 250 nA per 1 mg/l (ppm) ClO ₂ 35 to 65 nA per 1 mg/l (ppm) ClO ₂ 4 to 8 nA per 1 mg/l (ppm) ClO ₂

Power supply

Electrical connection is electrically connected to the transmitter is performed via the Memosens data cable CYK10 or CYK20 measuring cable.



2 Measuring cable CYK10



3 CYK10 with M12 plug, electrical connection

Performance characteristics

Reference operating conditions	Temperature pH value Flow ClO ₂ -free base medium	20 °C (68 °F) pH 6 to 7 40 to 60 cm/s Deionized water
Response time	T ₉₀ < 15 s (after completing polarization)	

Polarization time	Initial commissioning	45 min	
	Recommissioning	20 min	
Measured value resolution of sensor	CCS50E-**11AD**	0.03 µg/l (ppb) ClO ₂	
	CCS50E-**11BF**	0.13 µg/l (ppb) ClO ₂	
	CCS50E-**11CJ**	1.10 µg/l (ppb) ClO ₂	
Measurement error		LOD (limit of detection) ¹⁾	LOQ (limit of quantification)
	CCS50E-**11AD**	0.0007 mg/l (ppm)	0.002 mg/l (ppm)
	CCS50E-**11BF**	0.0013 mg/l (ppm)	0.004 mg/l (ppm)
	CCS50E-**11CJ**	0.0083 mg/l (ppm)	0.025 mg/l (ppm)
	1) Based on ISO 15839. The measured error includes all the uncertainties of the sensor and transmitter (electrode system). It does not contain all the uncertainties caused by the reference material and adjustments that may have been performed.		
Repeatability	CCS50E-**11AD**	0.002 mg/l (ppm)	
	CCS50E-**11BF**	0.007 mg/l (ppm)	
	CCS50E-**11CJ**	0.025 mg/l (ppm)	
Nominal slope	CCS50E-**11AD**	195 nA per 1 mg/l (ppm) ClO ₂	
	CCS50E-**11BF**	50 nA per 1 mg/l (ppm) ClO ₂	
	CCS50E-**11CJ**	6 nA per 1 mg/l (ppm) ClO ₂	
Long-term drift	< 1 % per month (mean value, determined while operating at varying concentrations and under reference conditions)		
Operating time of the electrolyte	at 10 % of measuring range and 20 °C	2 years	
	at 50 % of measuring range and 20 °C	1 year	
	at maximum concentration and 55 °C	60 days	
Intrinsic consumption	The intrinsic consumption of chlorine dioxide at the sensor is negligible.		

Mounting

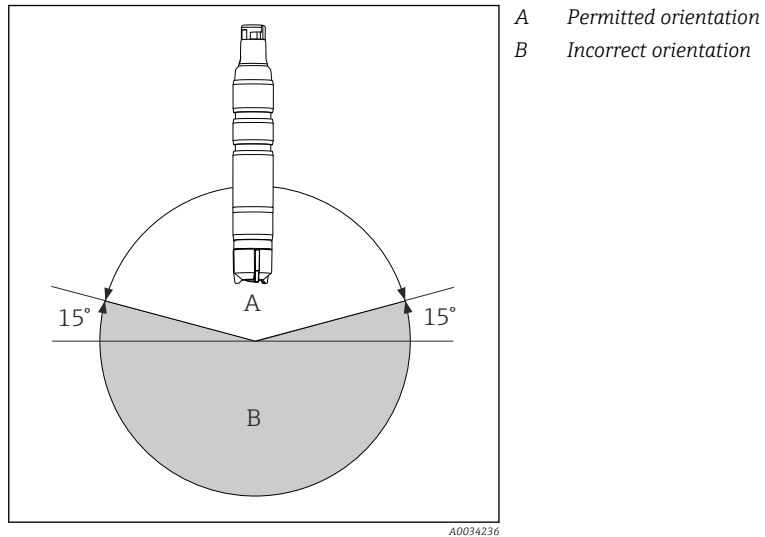
Orientation

NOTICE

Do not install upside-down!

Incorrect sensor functionality as electrolyte film is not guaranteed at the working electrode.

- ▶ Install the sensor in an assembly, support or appropriate process connection at an angle of at least 15 ° to the horizontal.
- ▶ Other angles of inclination are not permitted.
- ▶ Follow the instructions for installing the sensor in the Operating Instructions of the assembly used.



Immersion depth

At least 50 mm (1.97 in).
This corresponds to the mark (▼) on the sensor.

Installation instructions

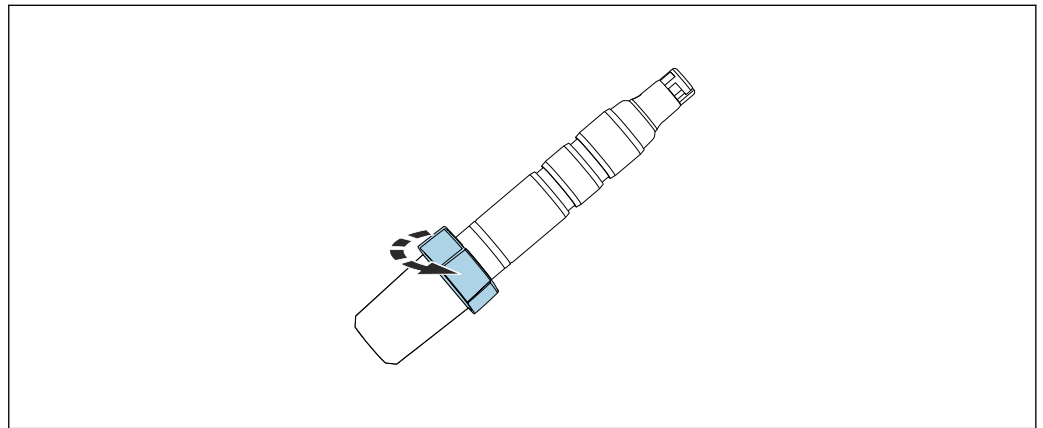
Preparing the sensor

Removing protection cap from sensor

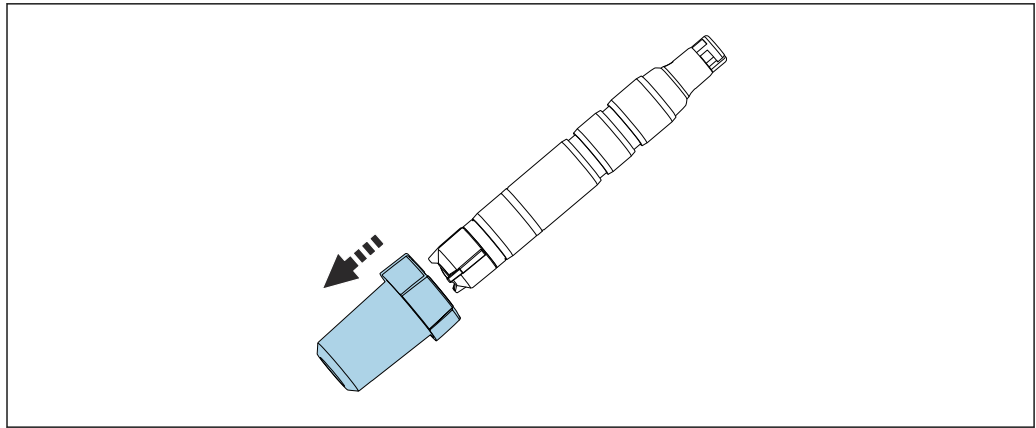
NOTICE

Negative pressure causes damage to the sensor's membrane cap

- ▶ When supplied to the customer and when in storage, the sensor is fitted with a protection cap.
- ▶ Release the top part of the protection cap by turning it.



- ▶ Carefully remove protection cap from sensor.



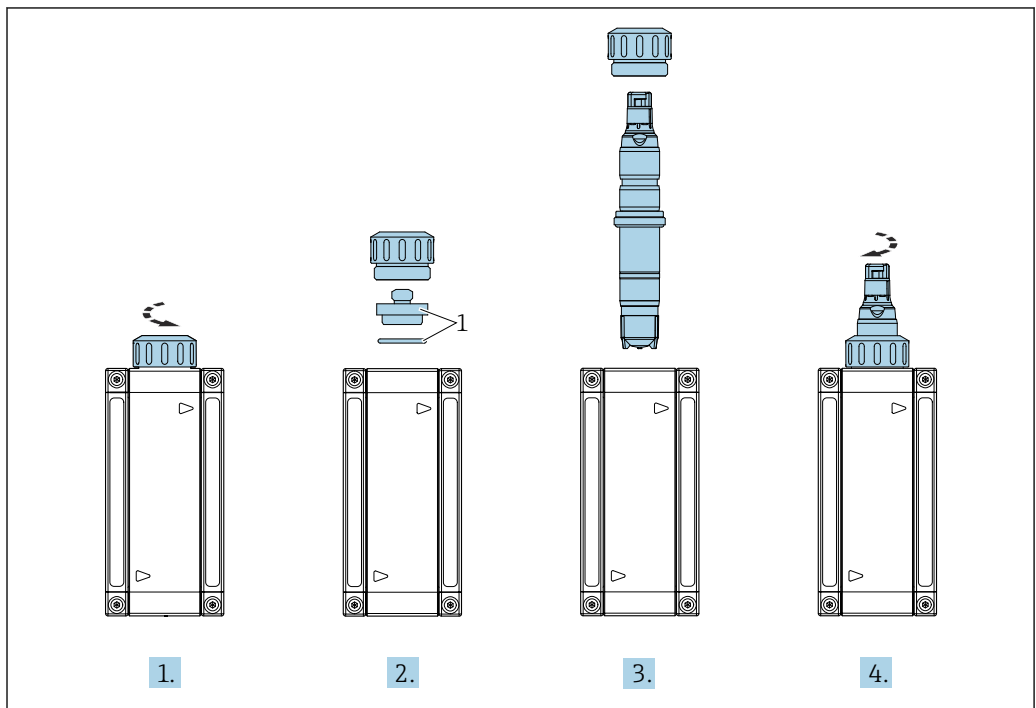
A0034350

Installing the sensor in the Flowfit CYA27 assembly

The sensor can be installed in the Flowfit CYA27 flow assembly. In addition to the installation of the chlorine dioxide sensor, this assembly also enables the simultaneous operation of several other sensors and flow monitoring.

Please note the following during installation:

- ▶ Guarantee the minimum flow to the sensor 15 cm/s (0.49 ft/s) and the minimum volume flow of the assembly (5 l/h or 30 l/h).
- ▶ If the medium is fed back into an overflow basin, pipe or similar, the resulting counterpressure on the sensor may not exceed 1 bar relativ (14.5 psi relativ) (2 bar abs. (29 psi abs.)) and must remain constant.
- ▶ Avoid negative pressure at the sensor, e.g. due to medium being returned to the suction side of a pump.
- ▶ To avoid buildup, heavily contaminated water should also be filtered.



A0043536

1 Dummy plug and O-ring

Installing the sensor in flow assemblies

When using other flow assembly, ensure:


- ▶ A minimum flow velocity of 15 cm/s (0.49 ft/s) must be ensured at the membrane.

- ▶ The flow direction is upwards. Transported air bubbles must be removed so that they do not collect in front of the membrane.
- ▶ The membrane must be exposed to direct flow.

Installing the sensor in the CYA112 immersion assembly

Alternatively, the sensor can be installed in an immersion assembly with a G1" threaded connection.

 Additional installation instructions can be found in the Operating Instructions for the assembly: www.endress.com/cya112

 For detailed information on installing the sensor in Flexdip CYA112 assembly, see Operating Instructions for assembly www.endress.com/cya112

Operating Instructions BA00432C

Environment

Ambient temperature -20 to 60 °C (-4 to 140 °F)

Storage temperature	Long-term storage up to 2 years (maximum)		Storage up to 48 h (maximum)
	With electrolyte	0 to 35 °C (32 to 95 °F) (non-freezing)	
Without electrolyte	-20 to 60 °C (-4 to 140 °F)		

Degree of protection IP68 (1.8 m (5.91 ft) water column over 7 days at 20 °C (68 °F)

Process

Process temperature 0 to 55 °C (32 to 130 °F), non-freezing

Process pressure The inlet pressure depends on the specific fitting and installation.
 The measurement can take place with a free outlet.
 The sensor can be operated at process pressures up to 1 bar relativ (14.5 psi relativ) (2 bar abs. (29 psi abs.)).

- ▶ In terms of sensor condition and performance, it is essential that the flow velocity limits specified in the following table be observed.

	Flow velocity [cm/s]	Volume flow [l/h]		
		Flowfit CYA27 (5 l version)	Flowfit CYA27 (30 l version)	Flexdip CYA112
Minimum	15	5	30	The sensor is suspended freely in the medium; pay attention to the minimum flow velocity of 15 cm/s during installation.
Maximum	80	30	60	

pH range Stability range of chlorine dioxide (ClO₂) pH 2 to 10¹⁾
 Calibration pH 4 to 8
 Measurement pH 4 to 9
 From pH values > 9, ClO₂ is unstable and decomposes.

1) Up to pH 3.5 and in the presence of chloride ions (Cl⁻), Cl₂ is produced which is also measured

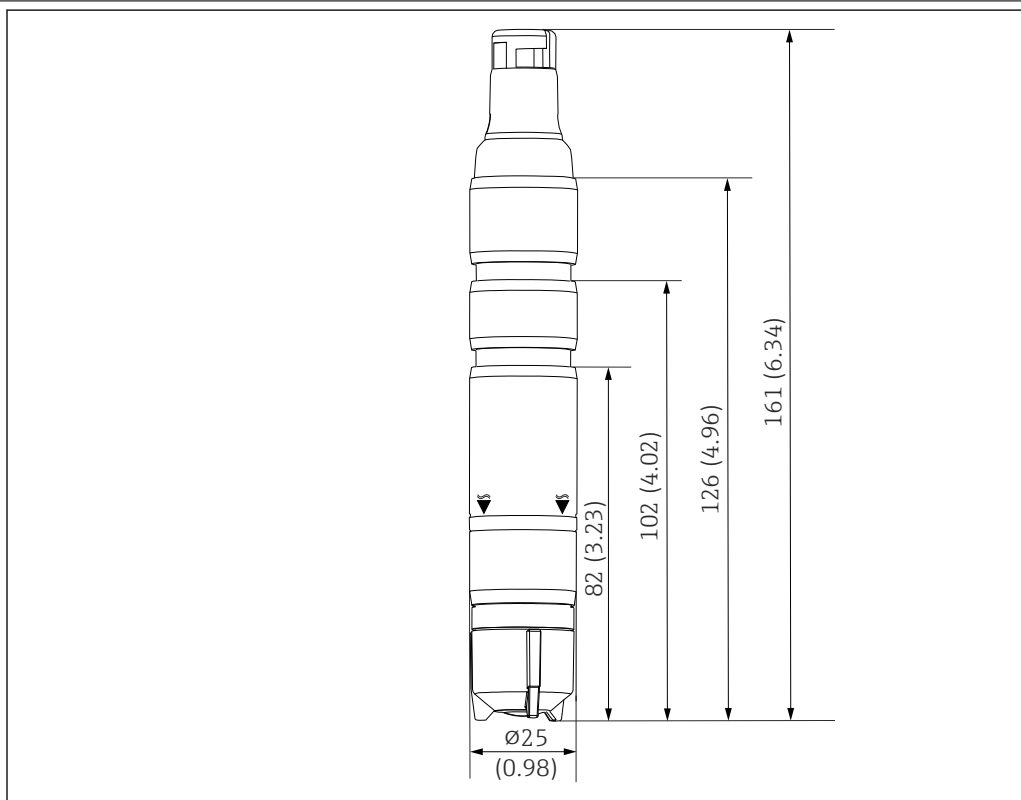
Conductivity The sensor can also be used in media with a very low conductivity, such as demineralized water.

Flow At least 5 l/h (1.3 gal/h), in the Flowfit CYA27 flow assembly (5 l version)
 At least 30 l/h (7.9 gal/h), in the Flowfit CYA27 flow assembly (30 l version)

Flow At least 15 cm/s (0.5 ft/s) , e.g. with Flexdip CYA112 immersion assembly

Mechanical construction

Dimensions



4 Dimensions in mm (in)

A0045241

Weight Sensor with membrane cap and electrolyte (without protection cap and without adapter)
 Approx. 95 g (3.35 oz)

Materials	Sensor shaft	POM
	Membrane	PVDF
	Membrane cap	PVDF
	Protective cap	<ul style="list-style-type: none"> ■ Vessel: PC Makrolon (polycarbonate) ■ Seal: Kraiburg TPE TM5MED ■ Cover: PC Makrolon (polycarbonate)
	Sealing ring	FKM
	Sensor shaft coupling	PPS

Cable specification max. 100 m (330 ft), incl. Cable extension

Certificates and approvals

Current certificates and approvals for the product are available via the Product Configurator at www.endress.com.

1. Select the product using the filters and search field.

2. Open the product page.

The **Configuration** button opens the Product Configurator.

Ordering information

Product page

www.endress.com/ccs50e

Product Configurator

Detailed ordering information is available from your nearest sales organization www.addresses.endress.com or in the Product Configurator at www.endress.com:

1. Select the product using the filters and search field.
2. Open the product page.
3. Select **Configuration**.



Product Configurator - the tool for individual product configuration

- Up-to-the-minute configuration data
 - Depending on the device: Direct input of measuring point-specific information such as measuring range or operating language
 - Automatic verification of exclusion criteria
 - Automatic creation of the order code and its breakdown in PDF or Excel output format
 - Ability to order directly in the Endress+Hauser Online Shop
-

Scope of delivery

The scope of delivery comprises:

- Disinfection sensor (membrane-covered, Ø25 mm) with protective cap (ready for use)
- Bottle with electrolyte (50 ml (1.69 fl oz))
- Replacement membrane cap in protective cap
- Operating instructions
- Manufacturer's certificate

Accessories

The following are the most important accessories available at the time this documentation was issued.

Listed accessories are technically compatible with the product in the instructions.

1. Application-specific restrictions of the product combination are possible.
Ensure conformity of the measuring point to the application. This is the responsibility of the operator of the measuring point.
 2. Pay attention to the information in the instructions for all products, particularly the technical data.
 3. For accessories not listed here, please contact your Service or Sales Center.
-

Maintenance kit CCV05

Order according to product structure

- 2 x membrane caps and 1 x electrolyte 50 ml (1.69 fl oz)
 - 1 x electrolyte 50 ml (1.69 fl oz)
 - 2 x sealing set
-

Device-specific accessories

Memosens data cable CYK10

- For digital sensors with Memosens technology
- Product Configurator on the product page: www.endress.com/cyk10



Technical Information TI00118C

Memosens data cable CYK11

- Extension cable for digital sensors with Memosens protocol
- Product Configurator on the product page: www.endress.com/cyk11



Technical Information TI00118C

Memosens laboratory cable CYK20

- For digital sensors with Memosens technology
- Product Configurator on the product page: www.endress.com/cyk20

Flowfit CYA27

- Modular flow assembly for multiparameter measurements
- Product Configurator on the product page: www.endress.com/cya27



Technical Information TI01559C

Flexdip CYA112

- Immersion assembly for water and wastewater
- Modular assembly system for sensors in open basins, channels and tanks
- Material: PVC or stainless steel
- Product Configurator on the product page: www.endress.com/cya112



Technical Information TI00432C

Photometer PF-3

- Compact hand-held photometer for determining the reference measured value
- Color-coded reagent bottles with clear dosing instructions
- Order No.: 71257946

Adapter kit CCS5x(D/E) for CYA27

- Clamping ring
- Thrust collar
- O-ring
- Order No. 71372027

Adapter kit CCS5x(D/E) for CYA112

- Adapter incl. O-rings
- 2 studs for locking in place
- Order No. 71372026

Complete quick fastener kit for CYA112

- Adapter, inner and outer parts incl. O-rings
- Tool for mounting and disassembly
- Order No. 71093377 or mounted accessory of CYA112

COY8

Zero-point gel for oxygen and disinfection sensors

- Disinfectant-free gel for the verification, zero point calibration and adjustment of oxygen and disinfection measuring points
- Product Configurator on the product page: www.endress.com/coy8



Technical Information TI01244C



www.addresses.endress.com
